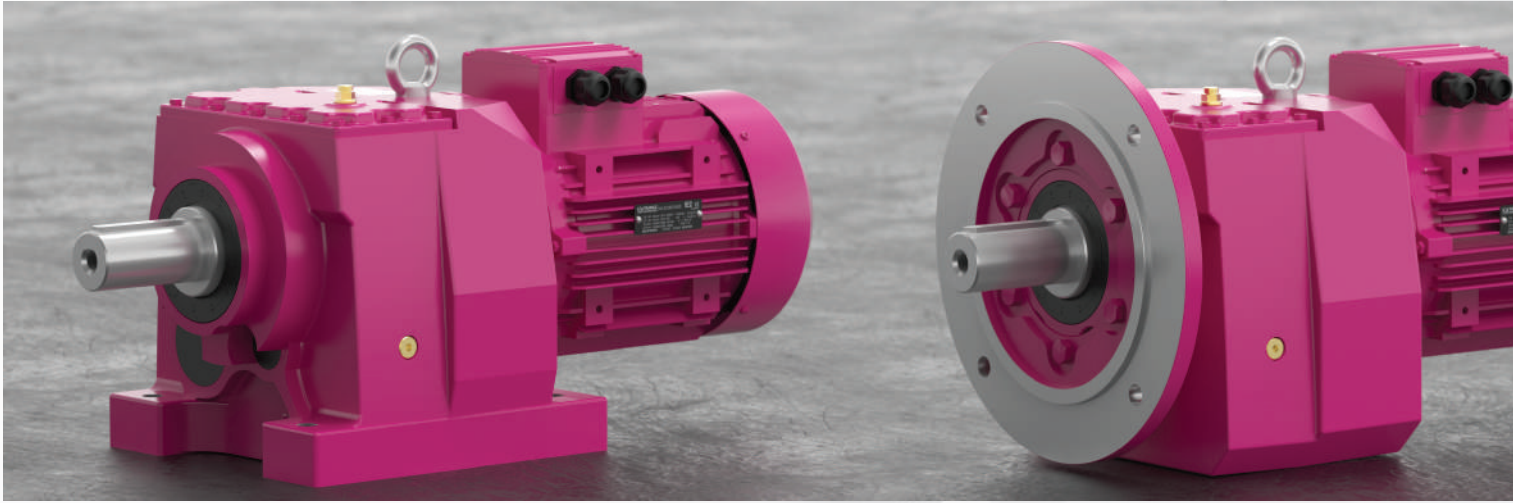


OPERATING INSTRUCTIONS

M/N Series

Foot/Flange Mounted Helical Gearboxes





| | |
|---|-----------|
| Contents..... | 02 |
| 1- How to Use This Manual..... | 04 |
| 2- Unit Designation..... | 05 |
| 2.1- Detailed Unit Designation..... | 05 |
| 2.2- Nameplate, Unit Designation..... | 06 |
| 3- Standard Type Gearbox Part List..... | 07 |
| 3.1- M Type 3 Stages..... | 07 |
| 3.2- N Type 3 Stages..... | 08 |
| 3.3- M, N... Additional Stage for 4 Stage Types..... | 09 |
| 3.4- M, N...Motor Flange for Direct Coupled Types..... | 10 |
| 3.5- M, N...Types B5, B14 Motor Flange..... | 10 |
| 3.6- M, N Types...Input Bearing Housing with Solid Input Shaft..... | 10 |
| 4- Safety..... | 11 |
| 4.1- Intended Use..... | 11 |
| 4.2- Improper Use..... | 11 |
| 4.3- Safety Instructions..... | 12 |
| 4.3.1- General Safety Instructions..... | 12 |
| 4.3.1.1- Working on the Gear Unit..... | 12 |
| 4.3.1.2- Operation..... | 12 |
| 4.3.1.3- Maintenance..... | 12 |
| 4.3.1.4- Lubricant..... | 12 |
| 4.3.1.5- Ambient Conditions..... | 12 |
| 4.4- Tightening Torques..... | 13 |
| 4.5- Case of Fire..... | 13 |
| 4.5.1- Suitable Extinguishing Agents..... | 13 |
| 4.5.2- Unsuitable Extinguishing Agents..... | 13 |
| 5 - Things to Check..... | 14 |
| 5.1- Transportation..... | 14 |
| 5.2- Storage..... | 15 |
| 6- Installing the Gear Unit..... | 15 |
| 6.1- Before You Start..... | 15 |
| 6.2- Checking Shaft Dimensions..... | 16 |
| 6.3- Checking Ambient Temperatures..... | 16 |
| 6.4- Checking Voltage Supply..... | 16 |



| | |
|---|-----------|
| 6.5- Checking Mounting Position..... | 19 |
| 6.6- How to Use Breather Plug..... | 19 |
| 6.7- Checking Oil Level | 19 |
| 6.8- Checking Shaft Ends and Mounting Faces | 19 |
| 6.9- Protection from Corrosive Environment | 19 |
| 6.10- Checking Accessibility to Oil Plugs | 20 |
| 7- Mechanical Installation | 20 |
| 7.1- Installing Output Shaft Elements..... | 21 |
| 7.2- Correct Position of Output Shaft Elements..... | 21 |
| 7.3- Coupling Connection | 22 |
| 8- Maintenance & Inspection | 23 |
| 9- Lubrication | 24 |
| 9.1- Oil Types | 24 |
| 9.2- Changing the Oil..... | 25 |
| 9.3- Oil Quantities (lt)..... | 26 |
| 9.4- Mounting Positions | 32 |
| 10- Troubleshooting Guide | 33 |
| 11- Disposal..... | 36 |
| 11.1- Disposal of Oil | 36 |
| 11.2- Disposal of Sealing..... | 36 |
| 11.3- Disposal of Metal Parts..... | 36 |
| 12- Appendix | 37 |
| 12.1- Warranty Conditions | 38 |
| 12.2- Warranty Paper | 39 |



1- How To Use This Manual

Take attention to the following safety and warning signs for proper understanding and quick reference.



Electric Hazard; Can cause severe or fatal injuries.



Mechanical Hazard; Can cause severe or fatal injuries.



Likely to be Hazardous; Can cause minor injuries



Damage Risk; Can damage the drive or environment



Important Information



EC Machinery Directive:

Within terms of the EC machinery directive 2006/42/EC the gear reducer is not considered an autonomous machine, but as a component to install in machines. Operation is prohibited within the area of validity of the EC directive, until it has been determined that the machine, in which this product is installed, corresponds to the regulations within this directive.

The operating instructions contain important information to ensure;

- Trouble-free operation
- Fulfilment of any rights to claim under guarantee

The operating instruction must be kept close to the gearbox and must be available in case it is needed.

This operating instruction is written for M and N Series gear units and is applicable only for M and M Series. If any different type of gearbox is used please ask YILMAZ REDUKTOR for the operating instructions of that type.

This instruction can be used only for standard type geared units of YILMAZ REDUKTOR. For special application and modified gear units ask YILMAZ REDUKTOR for validity.

This manual does not cover 94/9/EC compatible gearboxes. For 94/9/EC contact YILMAZ REDUKTOR.

Operating Instructions

M/N Series

Type Designations



2- Unit Designation

2.1- Detailed Unit Designation



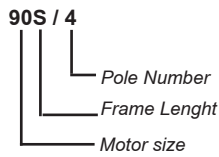
M R 4 7 3 - 90S / 4 - L02

Brake
 L-220V With Fan
 P-24V With Fan
 S-220 V Without Fan
 Z-24 V Without Fan
 01-10 Nm 10-100 Nm
 02-25 Nm 20-200 Nm
 04-40 Nm 30-300 Nm
 05-50 Nm 40-400 Nm

Motor Size

For MV / NV Types

For MN / NN types



| | | | |
|--------------------|---------------------|---------------------|---------------------|
| A06 :63 B5 | A09 : 90 B5 | A13 :132 B5 | A25 : 250 B5 |
| B06 :63 B14 | B09 : 90 B14 | B13 :132 B14 | A28 : 280 B5 |
| A07 :71 B5 | A10 :100 B5 | A16 :160 B5 | A31 : 315 B5 |
| B07 :71 B14 | B10 :100 B14 | A18 :180 B5 | |
| A08 :80 B5 | A11 :112 B5 | A20 :200 B5 | |
| B08 :80 B14 | B11 :112 B14 | A22 :225 B5 | |

Stage

2 Stages 5 Stages
 3 Stages 6 Stages
 4 Stages

Revision Number

Housing Size
 1...9

Input Type

R :With Motor
N :IEC B5 / B14 Flanged without Motor
V : IEC B5 / B14 Flanged with Motor
T : Without Motor
RF : With Motor and Output Flange, Foot Mounted (M Type)
RB : With Motor, Agitator Neck at Output (N Type)
TF : Without Motor and Output Flange, Foot Mounted (M Type)
TB : Without Motor, Agitator Neck at Output (N Type)

Gearbox Type

M Series
 N Series





2.2- Nameplate, unit designation



Nameplate unit designation is a short abbreviation from the detailed designation

A sample name plate for M Series

| | | |
|---|---|---|
|  | YILMAZ REDÜKTÖR www.yr.com.tr MADE IN TURKEY |  |
| Type : | MR473-90 S / 4B | |
| Serial N.: | 100658986 | |
| Power: | 1,1 kW | Ratio: 219 |
| Speed: | 6,6 rpm. | M. Pos.: M1 |
| Oil: ISO VG 320 (Mineral) | Oil Qty : | 4 lt. |

Abbreviations:

Serial N. : Serial Number

M.Pos. : Mounting Position

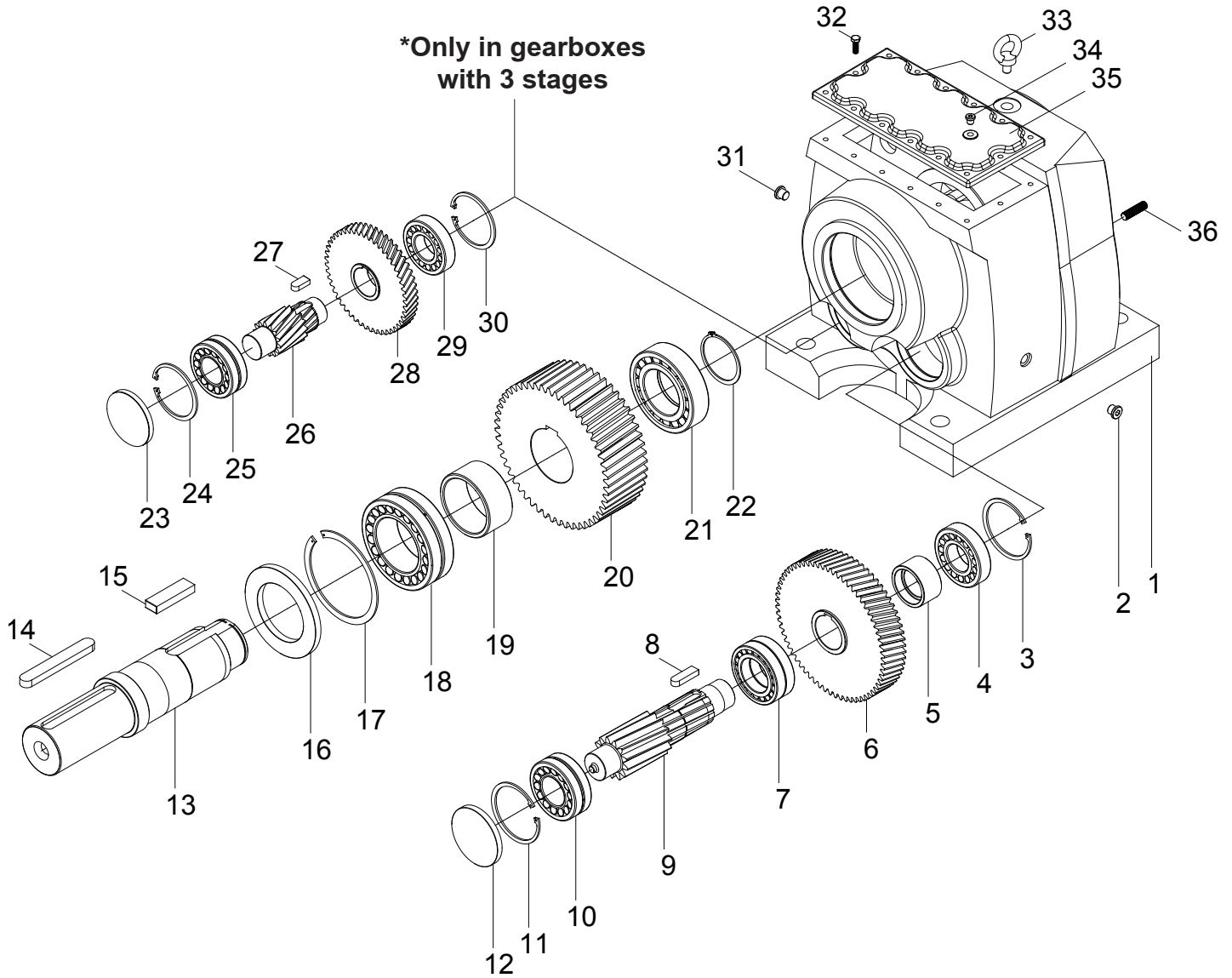
MR473
Type

90 L / 4
Motor Size

Serial Number: 100658986



3. Standard Type Gearbox Part List
3.1- M...Type 3 Stages



Standard M type 3 stages basic part diagram. Parts may differ for special applications.

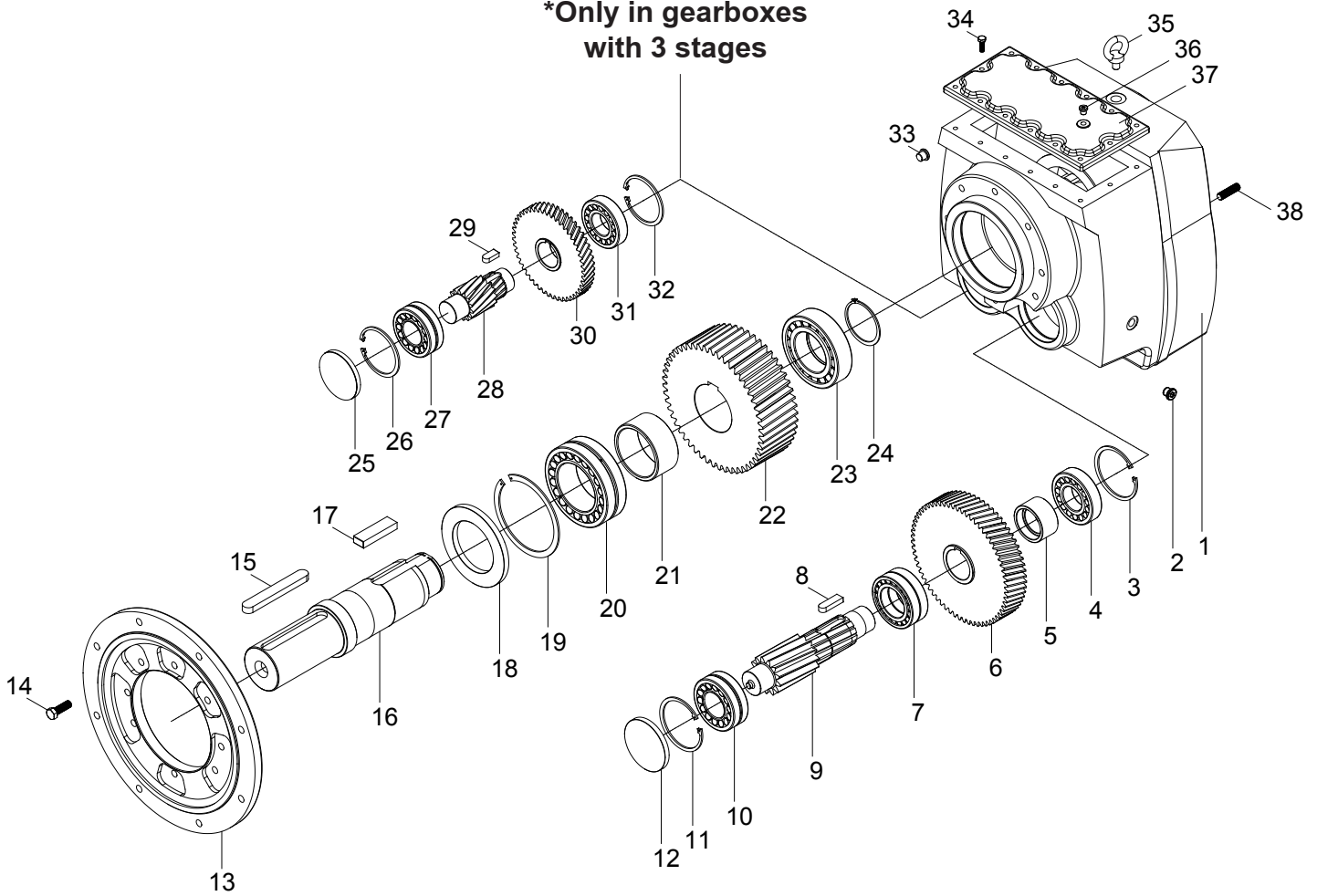
Parts List

| | | | | |
|-------------|------------------|--------------|--------------|--------------------|
| 1- Housing | 9- Gear | 17- Circlips | 25- Bearing | 33- Eye Bolt |
| 2- Oil plug | 10- Bearing | 18- Bearing | 26- Gear | 34- Oil plug |
| 3- Circlips | 11- Circlips | 19- Spacer | 27- Key | 35- Top Side Cover |
| 4- Bearing | 12- Cover | 20- Gear | 28- Gear | 36- Screw Pin |
| 5- Spacer | 13- Output shaft | 21- Bearing | 29- Bearing | |
| 6- Gear | 14- Key | 22- Circlips | 30- Circlip | |
| 7- Bearing | 15- Key | 23- Cover | 31- Oil plug | |
| 8- Key | 16- Seal | 24- Circlips | 32- Bolt | |



3.2- N...Type 3 Stages

*Only in gearboxes
with 3 stages



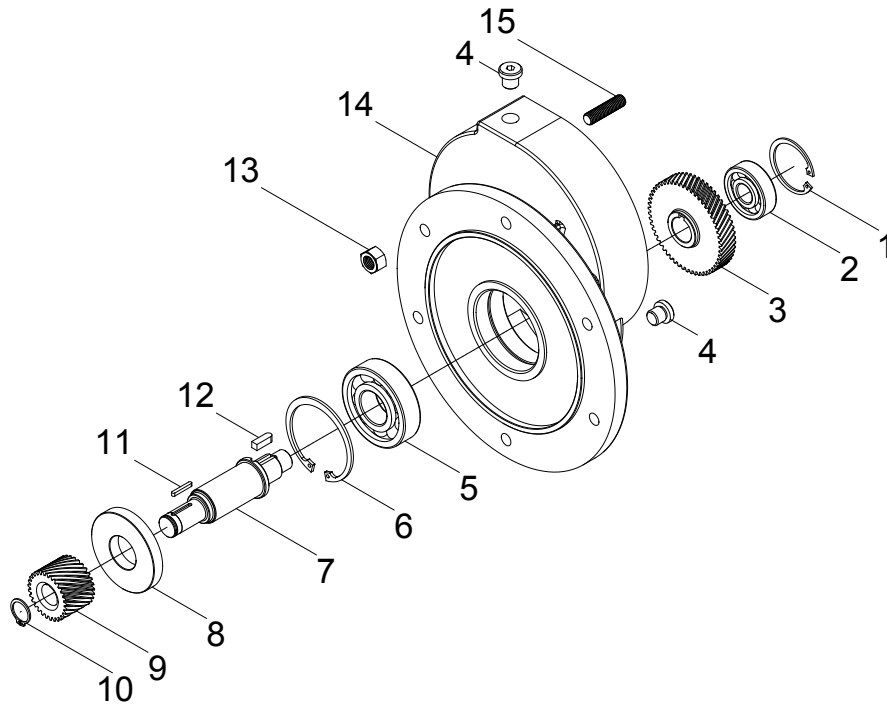
Standard N type 3 stages basic part diagram. Parts may differ for special applications.

Parts List

| | | | | |
|-------------|-------------------|--------------|--------------|--------------------|
| 1- Housing | 9- Gear | 17- Key | 25- Cover | 33- Oil plug |
| 2- Oil plug | 10- Bearing | 18- Seal | 26- Circlips | 34- Bolt |
| 3- Circlips | 11- Circlips | 19- Circlips | 27- Bearing | 35- Eye bolt |
| 4- Bearing | 12- Cover | 20- Bearing | 28- Gear | 36- Oil plug |
| 5- Spacer | 13- Output Flange | 21- Spacer | 29- Key | 37- Top side cover |
| 6- Gear | 14- Bolt | 22- Gear | 30- Gear | 38- Screw Pin |
| 7- Bearing | 15- Key | 23- Bearing | 31- Bearing | |
| 8- Key | 16- Output Shaft | 24- Circlips | 32- Circlips | |



3.3- M, N... Additional Stage for 4 Stage Types



M, N additional stage for 4 stage types part diagram. (Standard)

Parts List

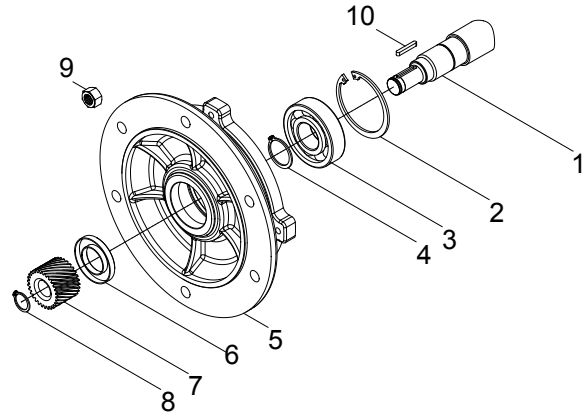
| | |
|-------------|------------------------|
| 1- Circlips | 9- Gear |
| 2- Bearing | 10- Circlips |
| 3- Gear | 11- Key |
| 4- Oil plug | 12- Key |
| 5- Bearing | 13- Bolt |
| 6- Circlips | 14- Additional Housing |
| 7- Shaft | 15- Screw Pin |
| 8- Seal | |



3.4- M, N...Motor Flange for Direct Coupled Types

Parts List

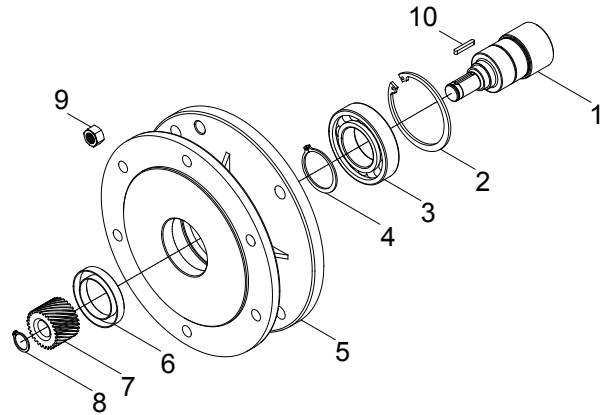
| | |
|-------------|-------------|
| 1- Shaft | 6- Key |
| 2- Circlips | 7- Gear |
| 3- Bearing | 8- Circlips |
| 4- Circlips | 9- Nut |
| 5- Flange | 10- Key |



3.5- M, N...Types B5, B14 Motor Flange

Parts List

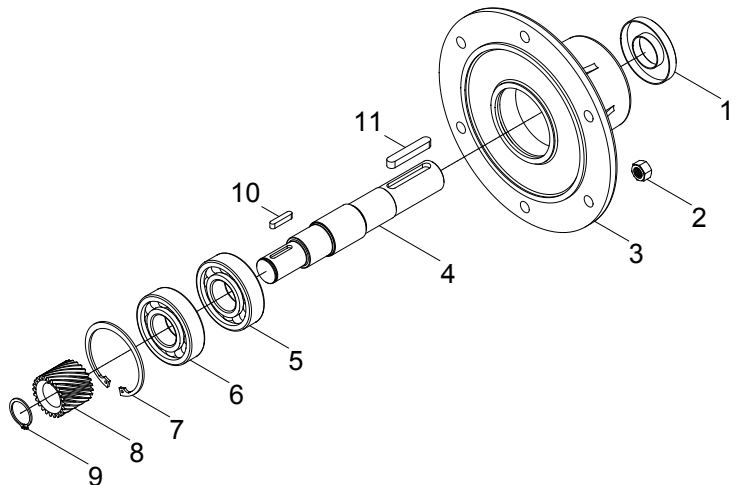
| | |
|--------------------|-------------|
| 1- Shaft | 6- Seal |
| 2- Circlips | 7- Gear |
| 3- Bearing | 8- Circlips |
| 4- Circlips | 9- Nut |
| 5- B5 / B14 Flange | 10- Key |



3.6- M, N Types...Input Bearing Housing with Solid Input Shaft

Parts List

| | |
|------------|-------------|
| 1- Seal | 7- Circlips |
| 2- Nut | 8- Gear |
| 3- Flange | 9- Circlips |
| 4- Shaft | 10- Key |
| 5- Bearing | 11- Key |
| 6- Bearing | |





4- Safety

4.1- Intended Use

The gear reducer is designed for use in industrial machines. Please refer to our catalogue or our web page for the maximum permitted torques and speeds. The most important maximum permitted values are indicated on the nameplate of the product. But the all data can be found on our product catalogues. Using the product out of the product catalogue/ nameplate's permitted ranges will cancel the warranty/manufacturer declaration and YILMAZ will not take any responsibility.

The gear units are intended for industrial machines and may only be used in accordance with the information provided in this manual the product catalogue and the nameplate of the gearbox. They comply with the applicable standards and regulations and meet the requirements of the directive 2006/42/EC. The gearbox must be started up, maintained and operated according this manual. The gearbox must be incorporated with 2006/42/EC confirming parts/machines.



A motor connected to the gear unit is only allowed to be operated in the frequency entries so that the data provided on nameplate/catalogue of the gear unit is not exceeded and is accordance with the nameplate/catalogue. The speed range will be provided on the name plate if YILMAZ REDUKTOR is informed that the gear unit will be used with frequency inverter. If not informed the nameplate will have a single fixed speed and only this speed is allowed. The electric motor and frequency inverter must be in accordance with 2006/42/EC



If the gear units input is used with variable speed gear unit, this must be informed to YILMAZ REDUKTOR before ordering and on the nameplate the allowed maximum and minimum speeds (speed range) will be provided. If not mentioned by ordering the gear units speed will be a fixed single input speed and only this speed is allowed.



If the gear unit will be driven by belt / coupling / chain drive etc. the gear unit is only allowed to be used according the nameplate/catalogue entries. Different speed, higher motor power, higher radial/axial loads etc. than nameplate/catalogue is not allowed.



The ambient temperature must be between +5 . +40 celsius and no abrasive media must attack the paint and seals. If different working conditions this must be informed to YILMAZ REDUKTOR before ordering.



The gearbox maintenance (oil change / check) must be done according this manual

4.2- Improper Use

Every usage which exceeds the limits stated above, the nameplate and catalogue of the product (especially higher torques and speeds) is not compliant with the regulations, and thus prohibited.

The operation of the gear reducer is prohibited if;

- It was not mounted/installed according to regulations and this manual
- The gear reducer is very soiled
- It is operated without lubricant
- It is operated out of the permitted values provided on catalogues and/or nameplate.



4.3- Safety Instructions

4.3.1- General Safety Instructions

4.3.1.1- Working on the gear reducer



- Inappropriately executed work can lead to injury or damage.

Make sure that the gear reducer is only installed, maintained and dismantled by trained technician.



- Foreign bodies spinning through the air can cause grave injury.

Before putting the gear reducer into operation, check that there are no foreign bodies or tools near the gear reducer



4.3.1.2- Operation

- Touching hot surfaces can lead to burns.

Do not touch the gear reducer if their operation temperatures are too high, or use suitable safety equipment like gloves.



-Rotating machinery can lead to injuries. There is danger of being trapped or pulled in!

Keep a sufficient distance and make safeguarding to rotating machinery. See relevant norms EN349+A1, EN13857.



4.3.1.3- Maintenance

-An unintentional start of the machine during maintenance work can lead to serious accidents.

Make sure no one can start the machine while you are working on it.



- Even a brief running of the machine during maintenance work can lead to accidents if the safety devices are not operating.

Make sure that all safety devices are mounted and active.



4.3.1.4- Lubricant

- Extended, intensive contact with oils can lead to skin irritations.

Avoid extended contact with oil, and clean oil off skin thoroughly.



- Hot oil can cause scalding.

When changing oil, protect yourself against contacting hot oil.



4.3.1.5- Ambient Conditions

- Standard gearboxes are allowed to work in ambient temperatures between +5 to +40 celsius unless differently specified on the nameplate. Using the gear unit out of this range can cause damage to the gear unit or environment. Over +40 celsius ambient conditions the gear unit surface temp could be so high causing burns when touched.



-If the gear unit will be used in outdoor applications the gear unit must be prevented from rain snow and dust. Entering substances inside the gear unit from seals can damage the gear unit. Observe the safety instructions for outdoor use EN12100:2010.

4.4- Tightening Torques

All screwed connections for which a tightening torque is specified, must on principle be tightened with a calibrated torque wrench and checked. Use the following torques for the threaded bores over the gear unit housing. For connecting elements refer to the mechanical installation part.

| Bolt | Class | Tightening Torque (Nm) |
|------|-------|------------------------|
| M8 | 8.8 | 23 |
| M10 | 8.8 | 43 |
| M12 | 8.8 | 77 |
| M16 | 8.8 | 190 |
| M20 | 8.8 | 370 |
| M24 | 8.8 | 640 |

4.5- Case of Fire

The gear reducer itself is not combustible. However, it usually contains a synthetic or mineral gear oil.

Please observe the following if the gear reducer is situated in a burning environment

4.5.1- Suitable extinguishing agents, Protective equipment

Always keep suitable extinguishing, protective equipment like carbon dioxide, powder, foam, fog easy accessible around the gear unit.



-High temperatures produce irritating steam.

Use a protective breathing apparatus.



4.5.2- Unsuitable extinguishing agents

Do not spray with water!



5- Things to Check Before the Gear Unit or Geared Motor is Installed



If gear motors are used, please also refer to the manual of the motor manufacturer.

Before you install the gearbox you have to be sure that the gearbox is arrived with the all necessary equipment and without damage. Think to take into consideration before you start to install the unit;

- You have received the correct operation manual of the your product.
- The gearbox and all its parts are transported without damage.
- The gearbox is stored correctly according the instructions in this manual
- You have the latest product catalogue or you have access to our web page

5.1- Transportation

When the goods arrive, first check for any damage. If some damage observed, immediately contact the transport company and inform about the damage. Contact YILMAZ for the damage and do not start to install the unit until it is agreed that the damage has no affect of operation.



Use the upper foot connection holes for lifting up the gear unit by using eyebolts. The eyebolts should be capable to carry the weight of gearboxes. Do not hang additional loads on the gear box by lifting. Use suitable hoisting equipment which is capable to hold the gear units weight. Refer to the catalogue for various types weights. If the gearbox is delivered with steel carrying construction use the construction holes for lifting the gear unit. See drawing bellow for hoisting point.

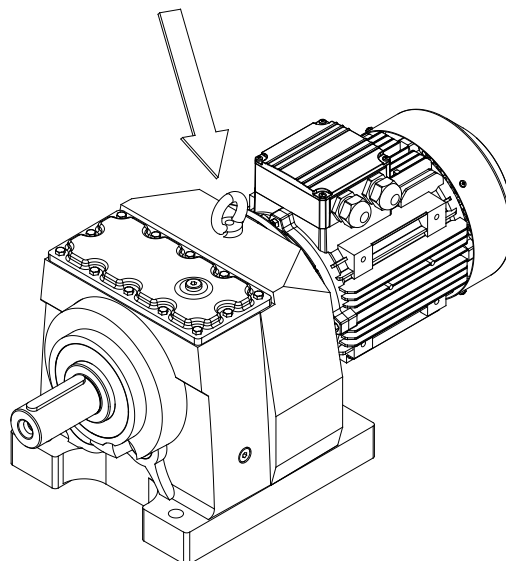


Do not stay beneath / under the lifting/hoisting equipment which may cause serious injuries by falling down objects, accidental movements, unexpected accidents.



Falling or hard placement can damage the gear unit.

Only use hoisting and securing equipment which is permitted for the size / weigh of your gear unit. Ensure that the load is slowly and carefully handled and placed.





5.2- Storage

If the geared unit or geared motor will be stored up to 3 years refer to the following instructions;

With Packing;

-Use corrosion protection oil for the output shaft and connection surfaces like flange surface or foot assembling surface. Seal the unit in a plastic wrap and pack it in container. A moisture indicator should be placed around the container to observe the moisture. Relative atmospheric humidity should not exceed 50%. The container should be kept under roof which protects from snow and rain. Under this condition the gear unit can be stored up to 3 year with regular check. The ambient temperature should be between -5 to 60 Celsius degrees

Without Packing;

-Use protection oil for the output shaft and connection surfaces like flange surface or foot assembling surface. If no packing is used and the gearbox is stored without packing, the ambient temperature should be between 5 to 60 Celsius degrees. The gearbox must be kept under enclosed roof with constant temperature and constant humidity not exceeding 50%. The storage should be free of dust and dirt and ventilated with filter. If the gearbox is stored without packing it is recommended not to store more than 2 years and regular check during this time is recommended.

If stored in open areas protect against insect damage.

6- Installing The Gear Unit

6.1- Before you start;

- Observe the gear unit for damages of storage or transportation. If any damage please contact YILMAZ REDUKTOR.
- Be sure that you have all the equipment necessary for installing like; Spanners, torque wrench, shims and distance rings, fixing devices for input and output elements, lubricant, bolt adhesive etc.



- This manual is not for 94/9/EC (ATEX) conforming gear units. For 94/9/EC conforming gear units refer to the ATEX range manual. ATEX conforming gear units have name plates indicating the zone and the temperature class and are different from standard type geared units. Therefore Standard units can not be installed on Potentially explosive atmospheres.



6.2- Check Shaft Dimensions and Tolerances

| Type | Output Shaft Diameter | Output Shaft Tolerance (DIN748) Up to 50mm k6 Over 50mm m6 | Flange Centering Shoulder Diameter (for N Serie) | Centering Shoulder Tolerance (g6) (for N Serie) |
|------------------|-----------------------|--|---|--|
| M/N...002/003.. | 20 | +0.02 0 | 95 | -0.01 -0.03 |
| M/N...102/103... | 25 | +0.02 0 | 110 | -0.01 -0.03 |
| M/N...172/173... | 25 | +0.02 0 | 110 | -0.01 -0.03 |
| M/N...202/203... | 30 | +0.02 0 | 130 | -0.01 -0.04 |
| M/N...272/273... | 35 | +0.02 0 | 130 | -0.01 -0.04 |
| M/N...282/283... | 35 | +0.02 0 | 180 | -0.01 -0.04 |
| M/N...372/373... | 40 | +0.02 0 | 180 | -0.01 -0.04 |
| M/N...472/473... | 50 | +0.02 0 | 230 | -0.02 -0.04 |
| M/N...572/573... | 60 | +0.03 +0.01 | 250 | -0.02 -0.04 |
| M/N...672/673... | 70 | +0.03 +0.01 | 300 | -0.02 -0.05 |
| M/N...772/773... | 90 | +0.04 +0.02 | 350 | -0.02 -0.06 |
| M/N...872/873... | 110 | +0.04 +0.02 | 450 | -0.02 -0.06 |
| M/N...972/973... | 120 | +0.04 +0.02 | 550 | -0.02 -0.06 |

6.3- Check the ambient temperature;

The ambient temperature must be between +5 celsius to +40 celsius for standard type gear units. If different contact YILMAZ REDUKTOR for special solutions.

6.4- Check the voltage supply;

The standard geared motors are supplied with 230/400 V 50/60Hz. up to 3kW including 3kW and 400/690 V 50/60 Hz. over 3kW and is indicated on the motors name plate unless it is differently ordered. In case of only gear unit is supplied from YILMAZ please observe the name plate of the electric motor and the instructions of the supplier. Check the basic electric connection diagrams below. Use experienced electric technician.



Using wrong connection or voltage can damage the electric motor or environment.



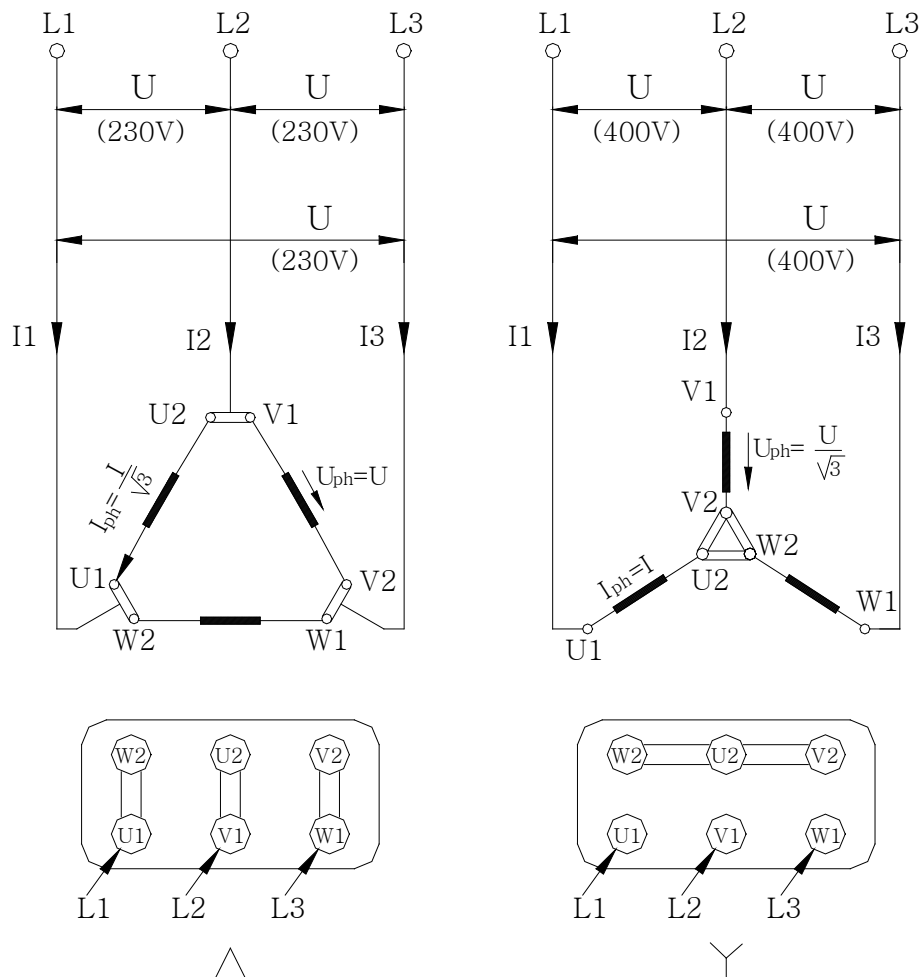
The following wiring diagram is for standard 230/400 V 50Hz AC electric motors. For different voltages please contact YILMAZ REDUKTOR. For gear units supplied without motor, refer to the motor manufacturers user manual.



The electric connection must be done by experienced electric technician.
The gearbox, the motor and the brake must be grounded to prevent potential differences of earth and gearbox/motor.

| Pole Number | Nominal Power at 400V, 50Hz | |
|--------------------|---------------------------------|-----------------------|
| | 230V (Δ) / 400 V (Y) | 400V (Δ) |
| 2 or 4 | ≤ 3 kW | ≥ 4 kW |
| 6 | $\leq 2,2$ kW | ≥ 3 kW |
| 8 | $\leq 1,5$ kW | $\geq 2,2$ kW |
| Starting Principle | Direct | Direct or Y/ Δ |

Basic motor connection wiring diagram



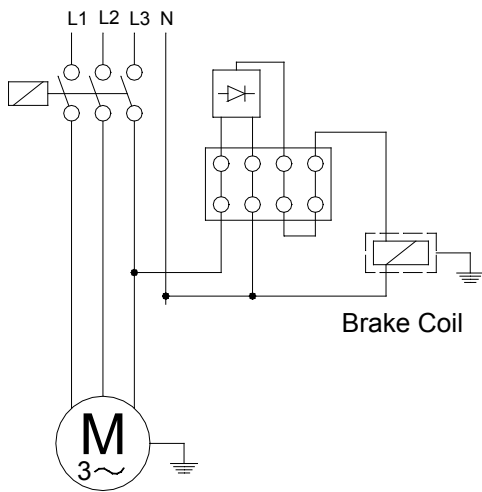


Standard type brakes basic wiring diagram

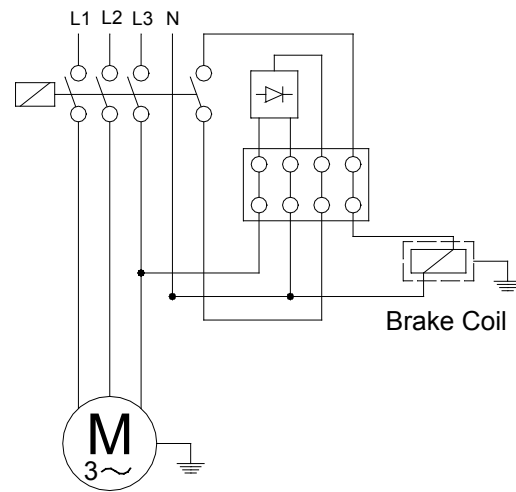


The electric connection must be done by experienced electric technician.
The gearbox and the motor must be grounded to prevent potential differences of earth and gearbox/motor.

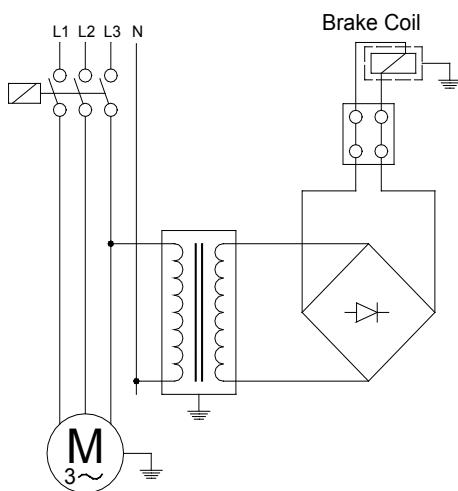
Delayed Running Brake(380 V)



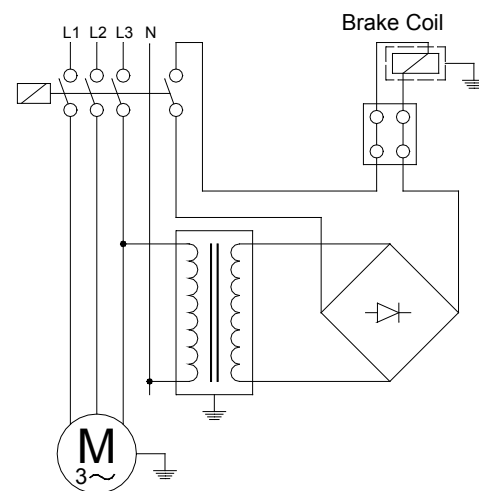
Sudden Brake (380 V)



Delayed Running Brake (24 V)



Sudden Brake(24 V)





6.5- Check the mounting position

The mounting position must be in accordance with the mounting position mentioned on the name plate. If different please contact YILMAZ REDUKTOR for possibilities of using in a different mounting position. Refer to the mounting positions and oil quantities on this manual and adjust the oil level accordingly with the recommended oil types given on this manual.



Do not mix synthetic oils with mineral oils which can cause serious damage on the gear unit.

6.6- Use of breather plug

Breather plugs are not needed for M Series under normal ambient and working conditions (Up to 30 degree Celsius ambient temperature and up to 8 hours per day) . If heavy ambient conditions and long time working hours then breather plug are recommended by YILMAZ REDUKTOR and delivered with the gearbox together. Replace the breather plug with the most top plug according to your mounting position.



Some plug positions are not machined according mounting position. If no mounting position is mentioned by ordering the standard M1 position plugs are machined.

6.7- Check the oil level

On the mounting position tables the oil level plug is shown. Please refer to those tables and be sure that the oil level is correct according the mounting position by screwing half way out the level plug and see if oil comes out from that plug. If oil comes out tighten the plug again. If no oil comes out take out the filling plug and add oil until oil comes out from the level plug and tighten both plugs after finish. Be sure you are using the correct oil mentioned on the oil tables on this manual.



Do not mix synthetic oils with mineral which can cause serious damage on the gear unit.

6.8- Check shaft ends and mounting faces

Before you start to installing be sure that all the connection elements are free of oil and dust. The output shaft may be protected by anti-corrosion oil. Please remove this using available solvents on your market. By using this do not touch sealing lips or painting of the housing.

6.9- Cover abrasive ambient

If the gear unit will be placed on a abrasive ambient be sure that the output seals are covered so that no abrasive material, chemicals or water touches the seals. Any pressure coming from outside over the seals can cause that the out staying substances to enter the gearbox and cause serious damage to the gear unit. If pressure or abrasive material can not be prevented from coming over the sealing, contact YILMAZ REDUKTOR for solutions.



Abrasive material, chemicals, water, positive or negative pressure exceeding 0,2 bar can affect or damage the sealing lip or output shaft. Inside entering substances from the seals can cause serious damage to the gear unit.



6.10- Check accessibility to filling, breather and drain plugs

The filling, breather and drain plugs must be freely accessible for further checking and service.

7- Mechanical Installation

The gear unit can only be installed using the supplied connection points like foot and flange assembling points.



To install the gear unit without the supplied connection points can cause serious injuries by loosening or braking the gear unit. Even the gear unit is installed totally correctly according this Manuel, be sure that no one will be harmed by accidentally brake downs or loosening.



The mounting plate must be rigid enough not allowing torsions, flat enough to prevent strains by tightening the bolts and stable enough not allowing vibrations. By using chain drives this becomes much more important because of the polygon effect on chain drives. According to your connection elements the maximal permitted radial and axial load of the gear unit must be in accordance with your application. Check the product catalogue for permitted radial loads and calculation.



If the output or input shaft is overloaded by radial or axial loads it can cause serious damage to the gear unit.

Secure the gear unit using 8.8 or higher quality bolts.



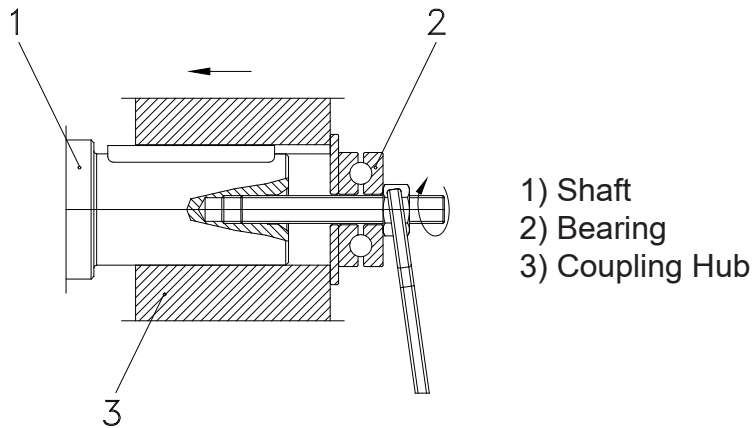
Cover all the turning parts from human entering or touching. Turning parts can cause severe or fatal injuries.

For different kind of basic installations refer to the following illustrations.



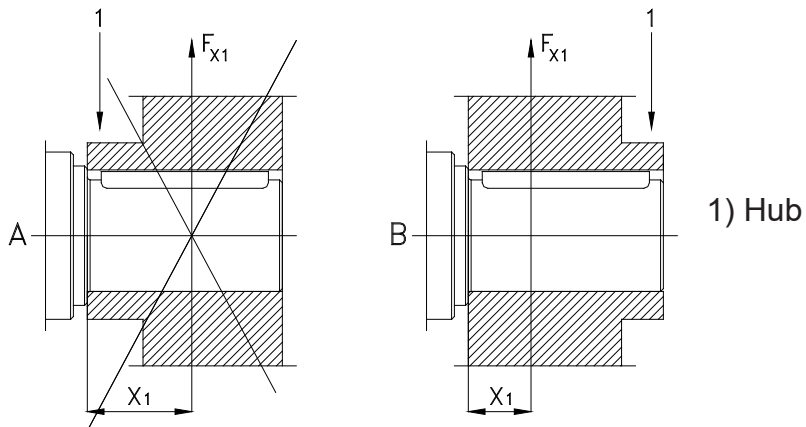
7.1- Fitting output shaft elements

Use the following illustration to assemble output shaft units



7.2- Correct position of output shaft elements

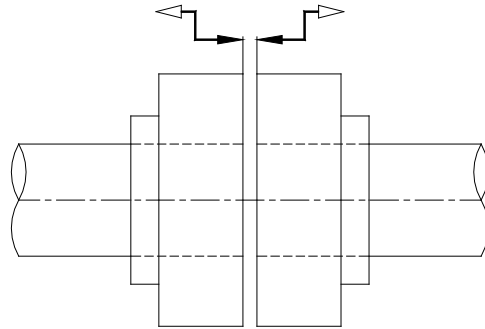
The Output Shaft unit (transmission elements) must be placed as close as possible to the gear unit so that the radial load is as closest as possible to the gear unit.



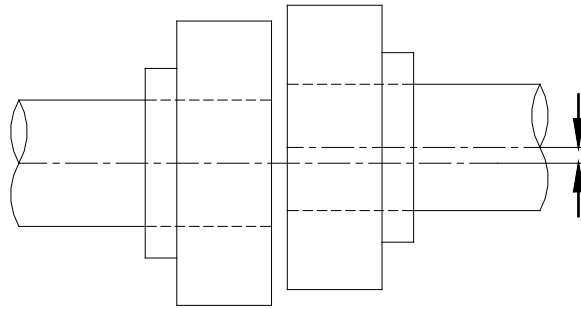


7.3- Fitting Couplings

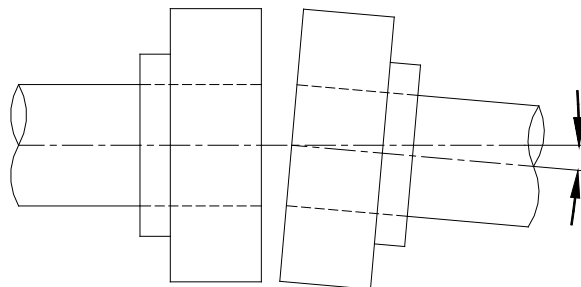
7.3.1- By fitting couplings be sure that there is some clearance between the two elements



7.3.2- By fitting couplings be sure that there is no eccentricity between the two shafts.



7.3.3- By fitting couplings be sure that the two shafts are not angular miss-aligned

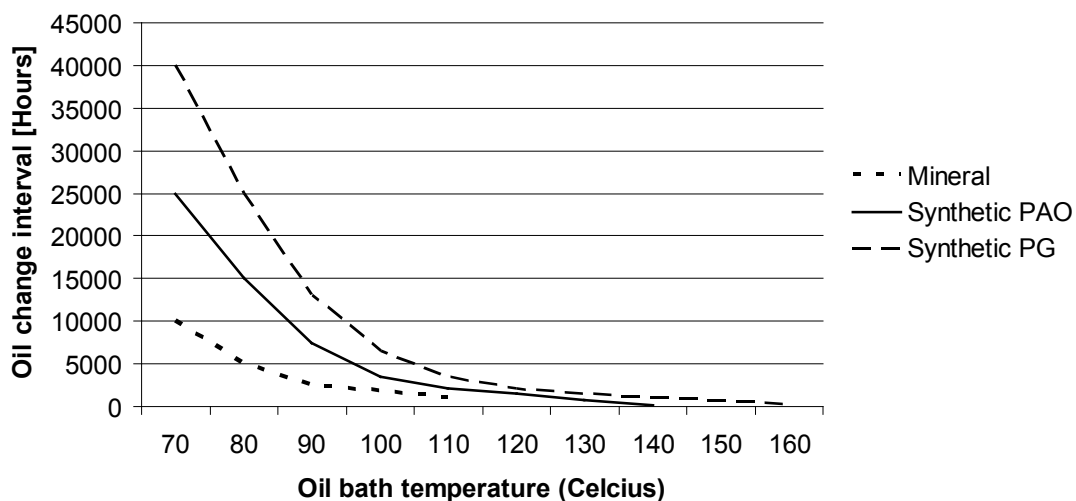




8- Maintenance and Inspections

Under normal ambient and working conditions the gear unit should be checked according the following intervals. (For definition of normal working conditions refer to the product catalogue: “Selecting Gearbox” section);

| Item to check / replace | Every 3.000 working hours or every 6 months | Every 4.000 working hours | Every 10.000 working hours or every 3 years | Every 25.000 working hours |
|-----------------------------|---|---------------------------|---|----------------------------|
| Check for oil leakage | x | | | |
| Check for oil level | x | | | |
| Check oil leakage from seal | x | | | |
| Check Rubber buffer | x (Change if necessary) | | | |
| Check Bearings Noise | | x (Change if necessary) | | |
| Change Mineral Oil | | | x (See Below for details) | |
| Change Synthetic-PAO Oil | | | | x (See Below for details) |
| Change Sealing | | | | x |
| Change Bearing Grease | | | | x |
| Change Bearings | | | | x |
| Check for noise Changes | | | | x |



For normal ambient conditions 70 degrees Celsius oil bath temp. Should be taken as reference

* For M series Mineral oil is used unless it is differently ordered. For oil type and quantities refer to the following tables.

Operating Instructions








M/N Series

Lubrication



9- Lubrication

9.1- Oil Types

| Lubricant | DIN 51517-3 | Ambient Temperature [°C] | | ISO VG | Aral | Beyond Petroleum | Castrol | Klüber Lubrication | Mobil | Shell | Total |
|--|----------------|-----------------------------|-----------------------|-----------|---|---|---|---|---|---|---|
| | | Dip Lubrication | Forced Lubrication | |  |  |  |  |  |  |  |
| Mineral Oil | CLP | 0 ... +50 | – | 680 | Degol BG 680 | Energol GR-XP 680 | Alpha SP 680 | Klüberoil GEM 1-680 N | Mobilgear XMP 680 | Omala 680 | Carter EP 680 |
| | | -5 ... +45 | – | 460 | Degol BG 460 | Energol GR-XP 460 | Alpha SP 460 | Klüberoil GEM 1-460 N | Mobilgear XMP 460 | Omala F460 | Carter EP 460 |
| | | -10 ... +40 | +15 ... +40 | 320 | Degol BG 320 | Energol GR-XP 320 | Alpha SP 320 | Klüberoil GEM 1-320 N | Mobilgear XMP 320 | Omala F320 | Carter EP 320 |
| | | -15 ... +30 | +10 ... +30 | 220 | Degol BG 220 | Energol GR-XP 220 | Alpha SP 220 | Klüberoil GEM 1-220 N | Mobilgear XMP 220 | Omala F220 | Carter EP 220 |
| | | -20 ... +20 | +5 ... +20 | 150 | Degol BG 150 | Energol GR-XP 150 | Alpha SP 150 | Klüberoil GEM 1-150 N | Mobilgear XMP 150 | Omala 150 | Carter EP 150 |
| | | -25 ... +10 | +3 ... +10 | 100 | Degol BG 100 | Energol GR-XP 100 | Alpha SP 100 | Klüberoil GEM 1-100 N | – | Omala 100 | Carter EP 100 |
| Synthetic Oil | CLP PG | -10 ... +60 | – | 680 | Degol GS 680 | Energyn SG-XP 680 | – | Klübersynth GH 6 -680 | Mobil Glygoyle 680 | Tivela S 680 | Carter SY 680 |
| | | -20 ... +50 | – | 460 | Degol GS 460 | Energyn SG-XP 460 | Aphasyn PG 460 | Klübersynth GH 6 -460 | Mobil Glygoyle 460 | Tivela S 460 | Carter SY 460 |
| | | -25 ... +40 | +5 ... +40 | 320 | Degol GS 320 | Energyn SG-XP 320 | Aphasyn PG 320 | Klübersynth GH 6 -320 | Mobil Glygoyle 320 | Tivela S 320 | Carter SY 320 |
| | | -30 ... +30 | 0 ... +30 | 220 | Degol GS 220 | Energyn SG-XP 220 | Aphasyn PG 220 | Klübersynth GH 6 -220 | – | Tivela S 220 | Carter SY 220 |
| | | -35 ... +20 | -5 ... +20 | 150 | Degol GS 150 | Energyn SG-XP 150 | Aphasyn PG 150 | Klübersynth GH 6 -150 | – | Tivela S 150 | Carter SY 150 |
| | | -40 ... +10 | -8 ... +10 | 100 | – | – | – | Klübersynth GH 6 -100 | – | – | – |
| | CLP HC | -10 ... +60 | – | 680 | – | – | – | Klübersynth GEM 4-680 N | Mobilgear SHC XMP 680 | – | Carter SH 680 |
| | | -20 ... +50 | – | 460 | Degol PAS 460 | Energyn EP-XF 460 | Alphasyn T 460 | Klübersynth GEM 4-460 N | Mobilgear SHC XMP 460 | Omala HD 460 | Carter SH 460 |
| | | -25 ... +40 | +5 ... +40 | 320 | Degol PAS 320 | Energyn EP-XF 320 | Alphasyn T 320 | Klübersynth GEM 4-320 N | Mobilgear SHC XMP 320 | Omala HD 320 | Carter SH 320 |
| | | -30 ... +30 | 0 ... +30 | 220 | Degol PAS 220 | Energyn EP-XF 220 | Alphasyn T 220 | Klübersynth GEM 4-220 N | Mobilgear SHC XMP 220 | Omala HD 220 | Carter SH 220 |
| | | -35 ... +20 | -5 ... +20 | 150 | Degol PAS 150 | Energyn EP-XF 150 | Alphasyn T 150 | Klübersynth GEM 4-150 N | Mobilgear SHC XMP 150 | Omala HD 150 | Carter SH 150 |
| | | -40 ... +10 | -8 ... +10 | 100 | – | – | – | Klübersynth GEM 4-100 N | – | – | – |
| Food Grade Oil | CLP NSF H1 | -15 ... +25 | +5 ... +25 | 220 | – | – | Optileb GT 220 | Klüberoil 4 UH1-220 N | Mobil SHC Cibus 220 | Cassida Fluid GL-220 | Nevastane SL 220 |
| Biode- gradable Oil | CLP E | -25 ... +40 | +5 ... +40 | 320 | – | – | Tribol BioTop 1418-320 | Klübersynth GEM 2-320 | – | – | Carter Bio 320 |
| Mineral Grease [-20 +120 Working Temperature °C] | | | | | Aralub HL3 | Energrease LS 3 | Speherol AP3 | Centoplex 2 EP | Mobilux EP 3 | Alvania RL3 | Multis Complex EP 2 |
| Synthetic Grease [-30 +100 Working Temperature °C] | | | | | – | Energrease SY 2202 | – | Petamo GHY 133 N | Mobiltemp SHC 100 | Cassida RLS 2 | Multis Complex SHD 220 |



9.2- Changing the Oil

Refer to the nameplate to find out the correct oil type filled inside the gearbox.



- Do not mix synthetic oils with mineral oils which will cause serious damage to the gear unit. The oil change must be done by using the filling, draining and level plugs according the mounting position illustrated at oil plugs tables.



- Extended, intensive contact with oils can lead to skin irritations. Avoid extended contact with oil, and clean oil off skin immediately.



- Hot oil can cause scalding. When changing oil, protect yourself against contacting hot oil, use protective gloves.

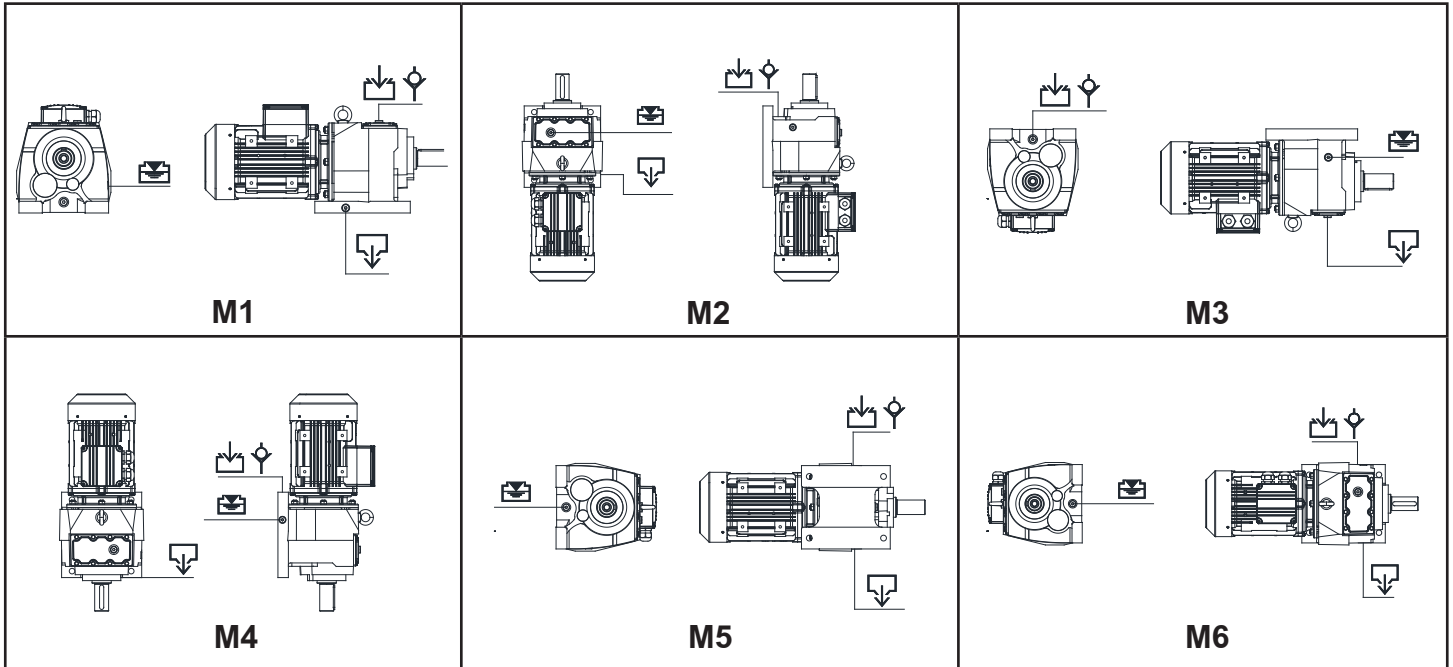
Operating Instructions

M/N Series

Lubrication



9.3- Oil Levels, Plugs and Quantities



| Type | M Series 2-3 Stages Oil Quantities | | | | | |
|------------|------------------------------------|-------------|-------------|-------------|-------------|-------------|
| | M1 | M2 | M3 | M4 | M5 | M6 |
| M002 / 003 | 0.40 / 0.35 | 0.60 / 0.55 | 0.50 / 0.50 | 0.60 / 0.55 | 0.50 / 0.40 | 0.50 / 0.40 |
| M102 / 103 | 0.65 / 0.60 | 0.95 / 0.80 | 0.70 / 0.70 | 0.95 / 0.80 | 0.70 / 0.65 | 0.70 / 0.65 |
| M172 / 173 | 0.70 / 0.65 | 0.95 / 0.90 | 0.80 / 0.80 | 0.95 / 0.90 | 0.80 / 0.70 | 0.80 / 0.70 |
| M202 / 203 | 1.2 / 1.1 | 2.1 / 2.0 | 2.0 / 1.9 | 2.1 / 2.0 | 1.4 / 1.3 | 1.4 / 1.3 |
| M272 / 273 | 1.1 / 1.0 | 2.0 / 1.7 | 1.9 / 1.5 | 2.0 / 1.7 | 1.3 / 1.2 | 1.3 / 1.2 |
| M282 / 283 | 1.7 / 1.6 | 3.0 / 2.85 | 2.8 / 2.5 | 3.0 / 2.85 | 2.6 / 2.4 | 2.6 / 2.4 |
| M372 / 373 | 2.0 / 1.9 | 3.4 / 3.3 | 3.1 / 3.0 | 3.4 / 3.3 | 2.8 / 2.6 | 2.8 / 2.6 |
| M472 / 473 | 4.5 / 4.0 | 7.5 / 7.0 | 7.5 / 7.0 | 7.5 / 7.0 | 5.5 / 5.0 | 5.5 / 5.0 |
| M572 / 573 | 7.0 / 6.0 | 12 / 11 | 11.5 / 10.5 | 12 / 11 | 8.0 / 7.5 | 8.0 / 7.5 |
| M672 / 673 | 10 / 8.5 | 22.5 / 20 | 20 / 18 | 22.5 / 20 | 11 / 10.5 | 11 / 10.5 |
| M772 / 773 | 20 / 18 | 32 / 30 | 30 / 28 | 32 / 30 | 22 / 20 | 22 / 20 |
| M872 / 873 | 28 / 20 | 53 / 45 | 45 / 39 | 53 / 45 | 30 / 28 | 30 / 28 |
| M972 / 973 | 53 / 50 | 90 / 90 | 82 / 80 | 90 / 90 | 70 / 65 | 70 / 65 |

Symbols :  :Oil filling  :Drain plug  :Oil level  :Vent Plug

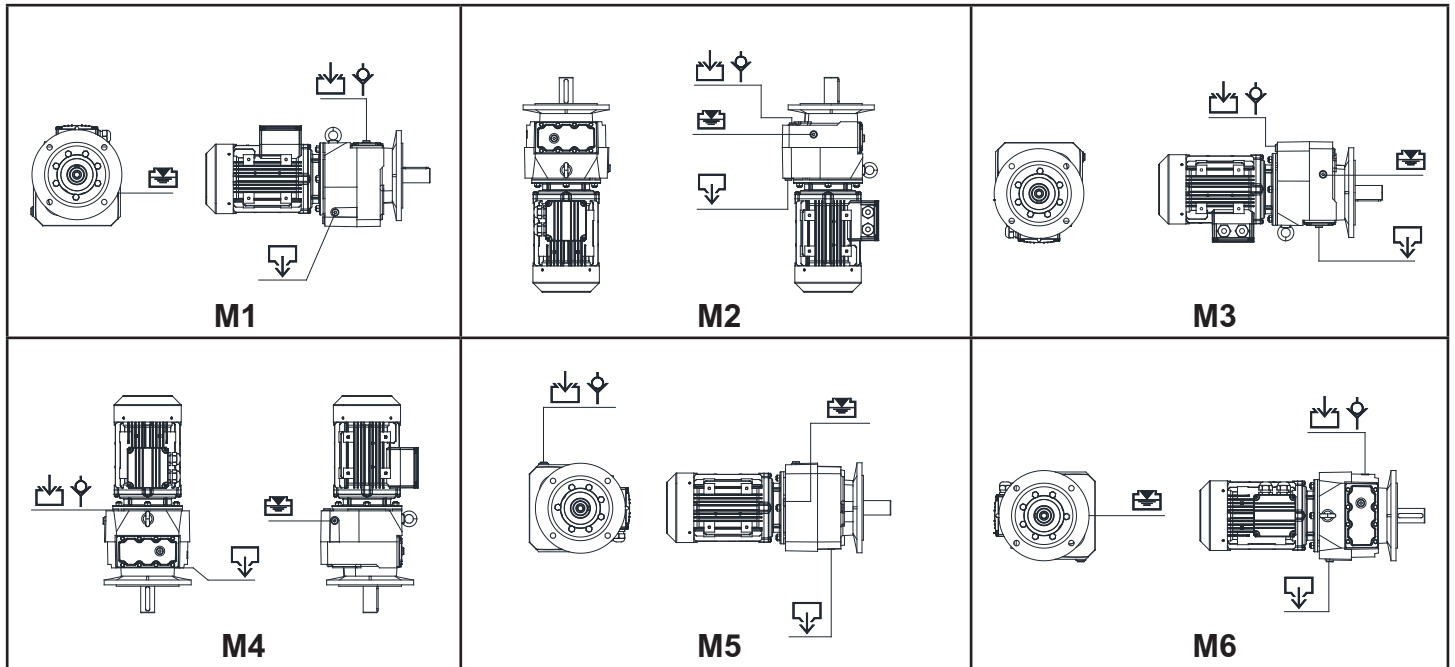
Operating Instructions

M/N Series

Lubrication



Oil Levels, Plugs and Quantities

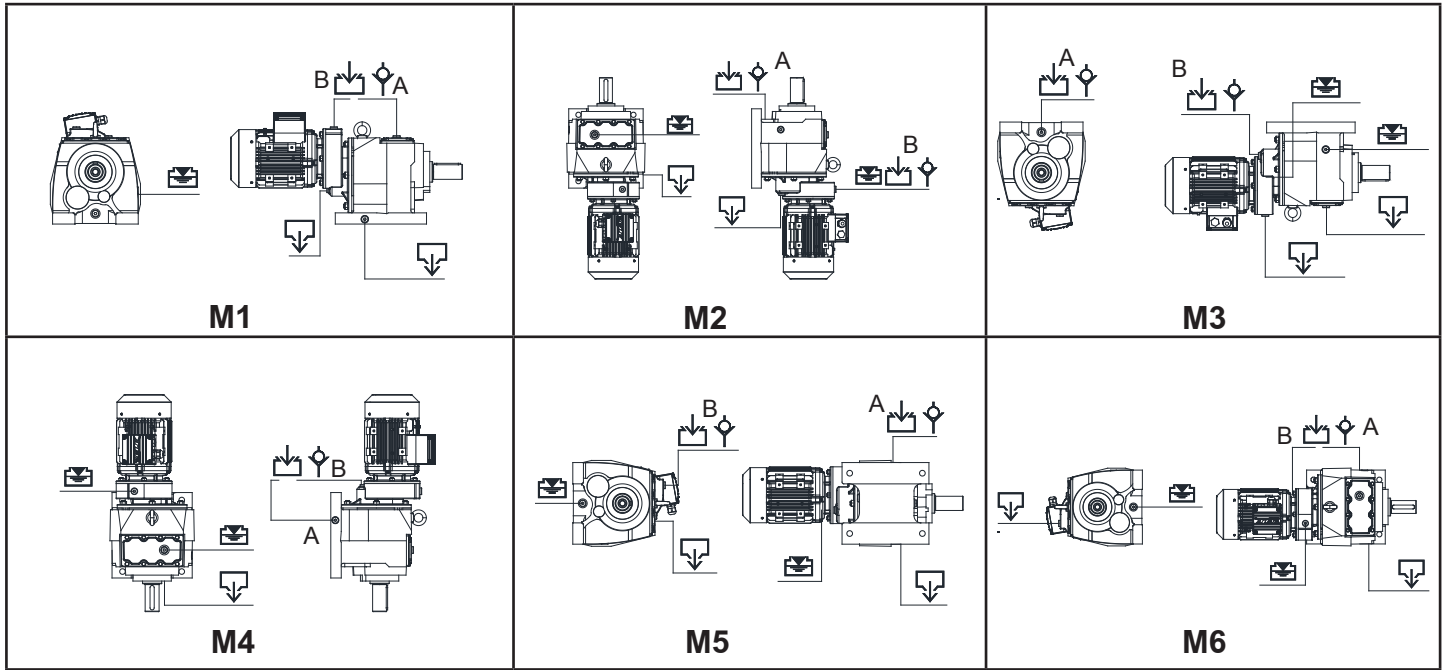


| Type | N Series 2-3 Stages Oil Quantities | | | | | |
|------------|------------------------------------|-------------|-------------|-------------|-------------|-------------|
| | M1 | M2 | M3 | M4 | M5 | M6 |
| N002 / 003 | 0.40 / 0.35 | 0.60 / 0.55 | 0.50 / 0.50 | 0.60 / 0.55 | 0.50 / 0.40 | 0.50 / 0.40 |
| N102 / 103 | 0.65 / 0.60 | 0.95 / 0.80 | 0.70 / 0.70 | 0.95 / 0.80 | 0.70 / 0.65 | 0.70 / 0.65 |
| N172 / 173 | 0.70 / 0.65 | 0.95 / 0.90 | 0.80 / 0.80 | 0.95 / 0.90 | 0.80 / 0.70 | 0.80 / 0.70 |
| N202 / 203 | 1.20 / 1.10 | 2.1 / 2.0 | 2.0 / 1.9 | 2.1 / 2.0 | 1.4 / 1.3 | 1.4 / 1.3 |
| N272 / 273 | 1.1 / 1.0 | 2.0 / 1.7 | 1.9 / 1.5 | 2.0 / 1.7 | 1.3 / 1.2 | 1.3 / 1.2 |
| N282 / 283 | 1.7 / 1.6 | 3.0 / 2.85 | 2.8 / 2.5 | 3 / 2.85 | 2.6 / 2.4 | 2.6 / 2.4 |
| N372 / 373 | 2.0 / 1.9 | 3.4 / 3.3 | 3.1 / 3.0 | 3.4 / 3.3 | 2.8 / 2.6 | 2.8 / 2.6 |
| N472 / 473 | 4.5 / 4.0 | 7.5 / 7.0 | 7.5 / 7.0 | 7.5 / 7.0 | 5.5 / 5.0 | 5.5 / 5.0 |
| N572 / 573 | 7.0 / 6.0 | 12 / 11 | 11.5 / 10.5 | 12 / 11 | 8.0 / 7.5 | 8.0 / 7.5 |
| N672 / 673 | 10 / 8.5 | 22.5 / 20 | 20 / 18 | 22.5 / 20 | 11 / 10.5 | 11 / 10.5 |
| N772 / 773 | 20 / 18 | 32 / 30 | 30 / 28 | 32 / 30 | 22 / 20 | 22 / 20 |
| N872 / 873 | 28 / 20 | 53 / 45 | 45 / 39 | 53 / 45 | 30 / 28 | 30 / 28 |
| N972 / 973 | 53 / 50 | 90 / 90 | 82 / 80 | 90 / 90 | 70 / 65 | 70 / 65 |

Symbols : :Oil filling :Drain plug :Oil level :Vent Plug



Oil Levels, Plugs and Quantities

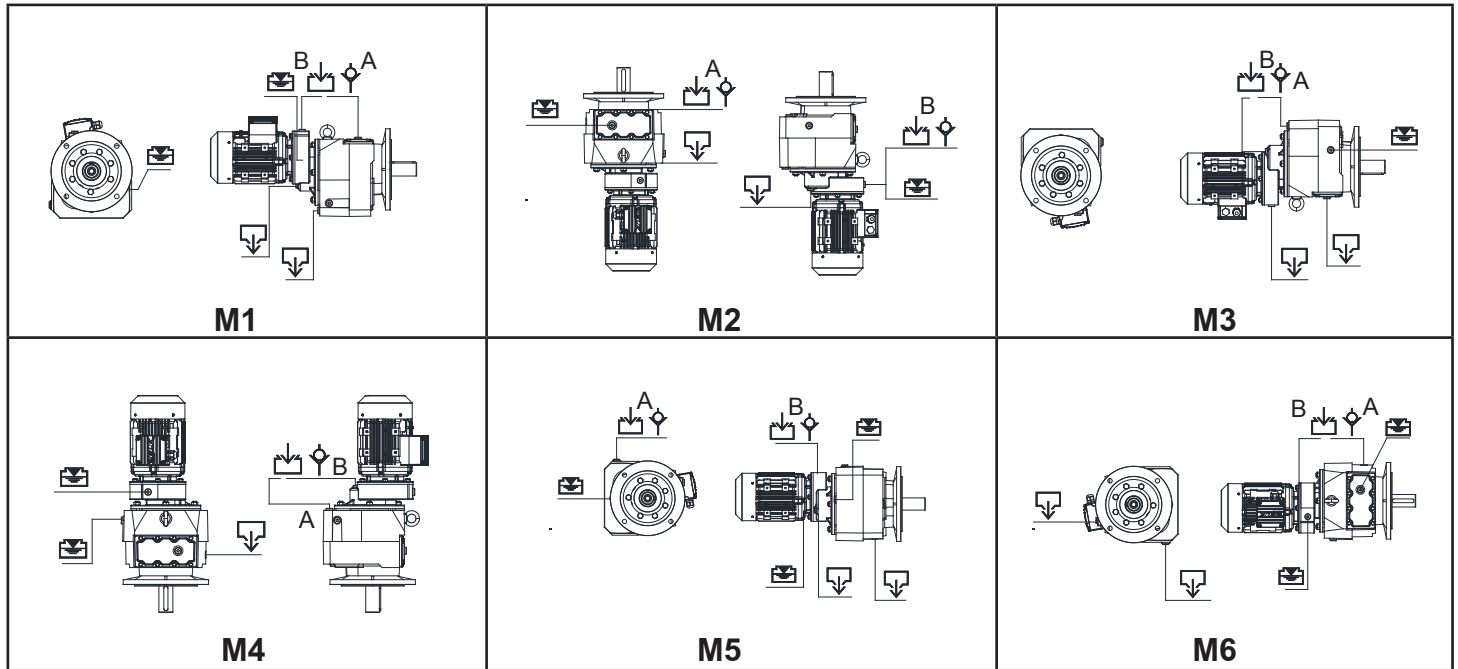


| Type | M Series 4 Stages Oil Quantities | | | | | |
|-------------|----------------------------------|-------------|-------------|-------------|-------------|-------------|
| | M1 A / B | M2 A / B | M3 A / B | M4 A / B | M5 A / B | M6 A / B |
| M284 | 1.6 / 0.25 | 2.85 / 0.25 | 2.5 / 0.25 | 2.85 / 0.25 | 2.4 / 0.25 | 2.4 / 0.25 |
| M374 | 1.9 / 0.25 | 3.3 / 0.25 | 3 / 0.25 | 3.3 / 0.25 | 2.6 / 0.25 | 2.6 / 0.25 |
| M474 | 4.0 / 0.40 | 7.0 / 0.40 | 7.0 / 0.40 | 7.0 / 0.40 | 5.0 / 0.40 | 5.0 / 0.40 |
| M574 | 6.0 / 0.50 | 11 / 0.50 | 10.5 / 0.50 | 11.7 / 0.50 | 7.5 / 0.50 | 7.5 / 0.50 |
| M674 | 8.5 / 0.90 | 20 / 0.90 | 18 / 0.90 | 20 / 0.90 | 10.5 / 0.90 | 10.5 / 0.90 |
| M774 | 18 / 1.0 | 30 / 1.0 | 28 / 1.0 | 30 / 1.0 | 20 / 1.0 | 20 / 1.0 |
| M874 | 20 / 2.15 | 45 / 2.15 | 39 / 2.15 | 45 / 2.15 | 28 / 2.15 | 28 / 2.15 |
| M974 | 50 / 7.0 | 90 / 7.0 | 80 / 7.0 | 90 / 7.0 | 65 / 7.0 | 65 / 7.0 |

Symbols : :Oil filling :Drain plug :Oil level :Vent Plug



Oil Levels, Plugs and Quantities



| Type | N Series 4 Stages Oil Quantities | | | | | |
|------|----------------------------------|-------------|-------------|-------------|-------------|-------------|
| | M1 A / B | M2 A / B | M3 A / B | M4 A / B | M5 A / B | M6 A / B |
| N284 | 1.6 / 0.25 | 2.85 / 0.25 | 2.5 / 0.25 | 2.85 / 0.25 | 2.4 / 0.25 | 2.4 / 0.25 |
| N374 | 1.9 / 0.25 | 3.3 / 0.25 | 3 / 0.25 | 3.3 / 0.25 | 2.6 / 0.25 | 2.6 / 0.25 |
| N474 | 4.0 / 0.40 | 7.0 / 0.40 | 7.0 / 0.40 | 7.0 / 0.40 | 5.0 / 0.40 | 5.0 / 0.40 |
| N574 | 6.0 / 0.50 | 11 / 0.50 | 10.5 / 0.50 | 11.7 / 0.50 | 7.5 / 0.50 | 7.5 / 0.50 |
| N674 | 8.5 / 0.90 | 20 / 0.90 | 18 / 0.90 | 20 / 0.90 | 10.5 / 0.90 | 10.5 / 0.90 |
| N774 | 18 / 1.0 | 30 / 1.0 | 28 / 1.0 | 30 / 1.0 | 20 / 1.0 | 20 / 1.0 |
| N874 | 20 / 2.15 | 45 / 2.15 | 39 / 2.15 | 45 / 2.15 | 28 / 2.15 | 28 / 2.15 |
| N974 | 50 / 7.0 | 90 / 7.0 | 80 / 7.0 | 90 / 7.0 | 65 / 7.0 | 65 / 7.0 |

Symbols : :Oil filling

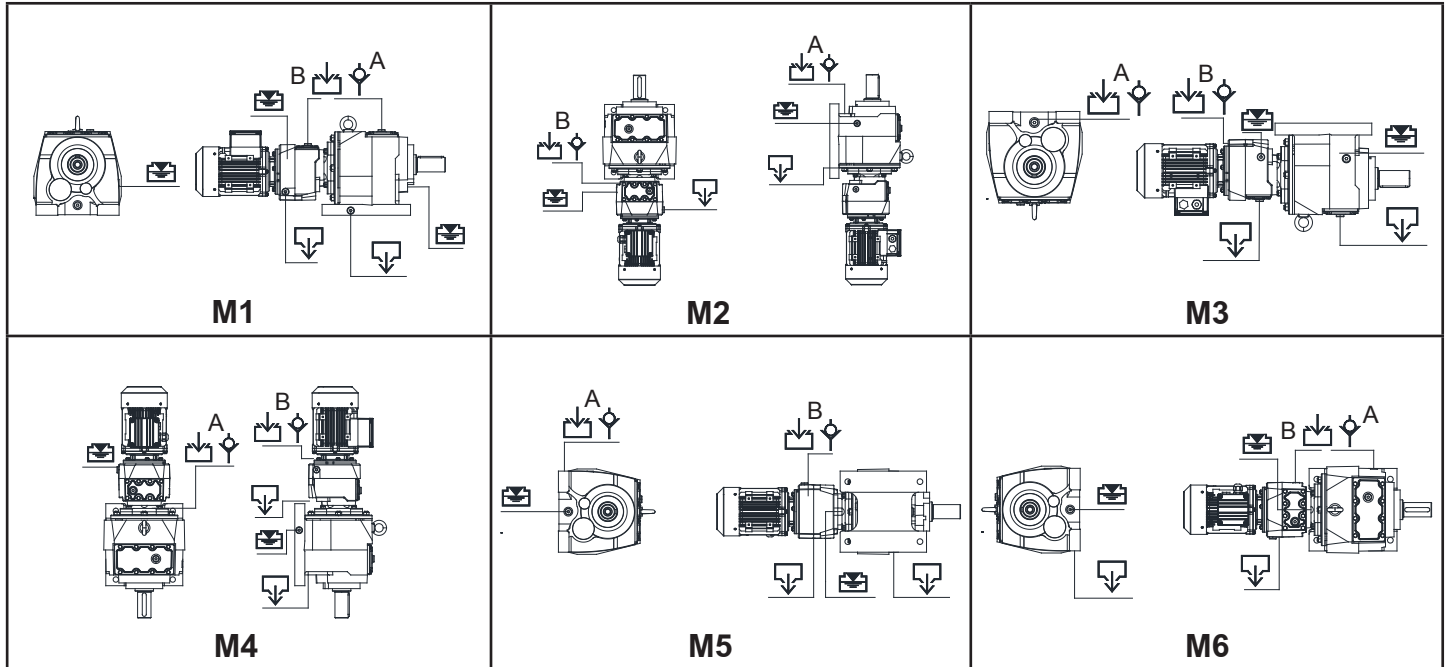
:Drain plug

:Oil level

:Vent Plug



Oil Levels, Plugs and Quantities



| Type | M Series 5-6 Stages Oil Quantities | | | | | |
|------|------------------------------------|-------------|-------------|-------------|-------------|-------------|
| | M1 A / B | M2 A / B | M3 A / B | M4 A / B | M5 A / B | M6 A / B |
| M275 | 1.0 / 0.40 | 1.7 / 0.60 | 1.5 / 0.50 | 1.7 / 0.60 | 1.2 / 0.50 | 1.2 / 0.50 |
| M285 | 1.6 / 0.65 | 2.85 / 0.95 | 2.5 / 0.70 | 2.85 / 0.95 | 2.4 / 0.70 | 2.4 / 0.70 |
| M375 | 1.9 / 0.65 | 3.3 / 0.95 | 3.0 / 0.70 | 3.3 / 0.95 | 2.6 / 0.70 | 2.6 / 0.70 |
| M475 | 4.0 / 1.2 | 7.0 / 2.1 | 7.0 / 2.1 | 7.0 / 2.1 | 5.0 / 1.4 | 5.0 / 1.4 |
| M575 | 6.0 / 1.2 | 11 / 2.1 | 10.5 / 2.0 | 11 / 2.1 | 7.5 / 1.4 | 7.5 / 1.4 |
| M675 | 8.5 / 2.0 | 20 / 3.4 | 18 / 3.1 | 20 / 3.4 | 10.5 / 2.8 | 10.5 / 2.8 |
| M775 | 18 / 2.0 | 30 / 3.4 | 28 / 3.1 | 30 / 3.4 | 20 / 2.8 | 20 / 2.8 |
| M875 | 20 / 2.0 | 45 / 3.4 | 39 / 3.1 | 45 / 3.4 | 28 / 2.8 | 28 / 2.8 |
| M975 | 50 / 4.5 | 90 / 7.5 | 80 / 7.5 | 90 / 7.5 | 65 / 5.5 | 65 / 5.5 |
| M276 | 1.0 / 0.35 | 1.7 / 0.55 | 1.5 / 0.50 | 1.7 / 0.55 | 1.2 / 0.40 | 1.2 / 0.40 |
| M286 | 1.6 / 0.60 | 2.85 / 0.80 | 2.5 / 0.70 | 2.85 / 0.80 | 2.4 / 0.65 | 2.4 / 0.65 |
| M676 | 1.9 / 0.60 | 3.3 / 0.80 | 3.0 / 0.70 | 3.3 / 0.80 | 2.6 / 0.65 | 2.6 / 0.65 |
| M476 | 4.0 / 1.1 | 7.0 / 2.0 | 7.0 / 1.9 | 7.6 / 2.0 | 5.0 / 1.3 | 5.0 / 1.3 |
| M576 | 6.0 / 1.1 | 11 / 2.0 | 10.5 / 1.9 | 11 / 2.0 | 7.5 / 1.3 | 7.5 / 1.3 |
| M676 | 8.5 / 1.9 | 20 / 3.3 | 18 / 3.0 | 20 / 3.3 | 10.5 / 2.6 | 10.5 / 2.6 |
| M776 | 18 / 1.9 | 30 / 3.3 | 28 / 3.0 | 30 / 3.3 | 20 / 2.6 | 20 / 2.6 |
| M876 | 20 / 1.9 | 45 / 3.3 | 39 / 3.0 | 45 / 3.3 | 28 / 2.6 | 28 / 2.6 |
| M976 | 50 / 4.0 | 87 / 7.0 | 80 / 7.0 | 90 / 7.0 | 65 / 5.0 | 65 / 5.0 |

Symbols : :Oil filling :Drain plug :Oil level :Vent Plug

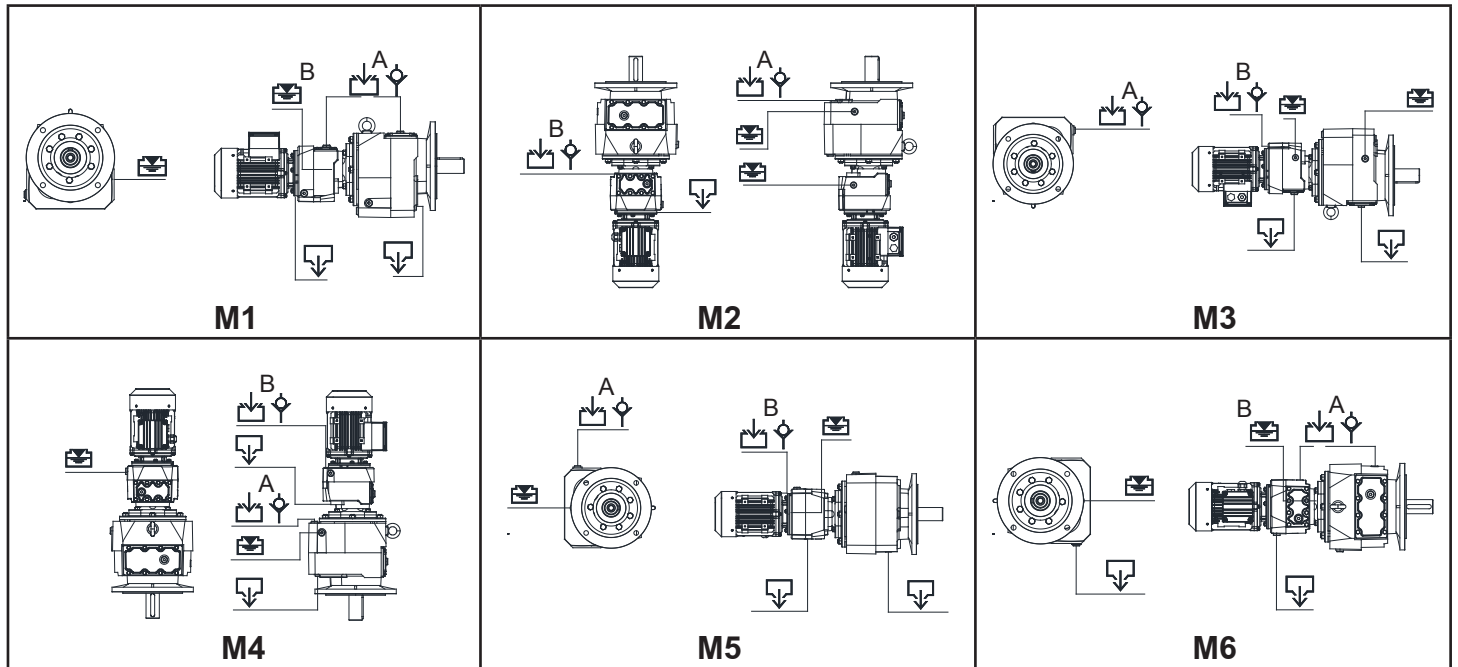
Operating Instructions

M/N Series

Lubrication



Oil Levels, Plugs and Quantities



| Type | N Series 5-6 Stages Oil Quantities | | | | | |
|------|------------------------------------|-------------|-------------|-------------|-------------|-------------|
| | M1 A / B | M2 A / B | M3 A / B | M4 A / B | M5 A / B | M6 A / B |
| N275 | 1.0 / 0.40 | 1.7 / 0.60 | 1.5 / 0.50 | 1.7 / 0.60 | 1.2 / 0.50 | 1.2 / 0.50 |
| N285 | 1.6 / 0.65 | 2.85 / 0.95 | 2.5 / 0.70 | 2.85 / 0.95 | 2.4 / 0.70 | 2.4 / 0.70 |
| N575 | 1.9 / 0.65 | 3.3 / 0.95 | 3.0 / 0.70 | 3.3 / 0.95 | 2.6 / 0.70 | 2.6 / 0.70 |
| N475 | 4.0 / 1.2 | 7.0 / 2.1 | 7.0 / 2.1 | 7.0 / 2.1 | 5.0 / 1.4 | 5.0 / 1.4 |
| N575 | 6.0 / 1.2 | 11 / 2.1 | 10.5 / 2.0 | 11 / 2.1 | 7.5 / 1.4 | 7.5 / 1.4 |
| N675 | 8.5 / 2.0 | 20 / 3.4 | 18 / 3.1 | 20 / 3.4 | 10.5 / 2.8 | 10.5 / 2.8 |
| N775 | 18 / 2.0 | 30 / 3.4 | 28 / 3.1 | 30 / 3.4 | 20 / 2.8 | 20 / 2.8 |
| N875 | 20 / 2.0 | 45 / 3.4 | 39 / 3.1 | 45 / 3.4 | 28 / 2.8 | 28 / 2.8 |
| N975 | 50 / 4.5 | 90 / 7.5 | 80 / 7.5 | 90 / 7.5 | 65 / 5.5 | 65 / 5.5 |
| N276 | 1.0 / 0.35 | 1.7 / 0.55 | 1.5 / 0.50 | 1.7 / 0.55 | 1.2 / 0.40 | 1.2 / 0.40 |
| N286 | 1.6 / 0.60 | 2.85 / 0.80 | 2.5 / 0.70 | 2.85 / 0.80 | 2.4 / 0.65 | 2.4 / 0.65 |
| N376 | 1.9 / 0.60 | 3.3 / 0.80 | 3.0 / 0.70 | 3.3 / 0.80 | 2.6 / 0.65 | 2.6 / 0.65 |
| N476 | 4.0 / 1.1 | 7.0 / 2.0 | 7.0 / 1.9 | 7.6 / 2.0 | 5.0 / 1.3 | 5.0 / 1.3 |
| N576 | 6.0 / 1.1 | 11 / 2.0 | 10.5 / 1.9 | 11 / 2.0 | 7.5 / 1.3 | 7.5 / 1.3 |
| N676 | 8.5 / 1.9 | 20 / 3.3 | 18 / 3.0 | 20 / 3.3 | 10.5 / 2.6 | 10.5 / 2.6 |
| N776 | 18 / 1.9 | 30 / 3.3 | 28 / 3.0 | 30 / 3.3 | 20 / 2.6 | 20 / 2.6 |
| N876 | 20 / 1.9 | 45 / 3.3 | 39 / 3.0 | 45 / 3.3 | 28 / 2.6 | 28 / 2.6 |
| N976 | 50 / 4.0 | 87 / 7.0 | 80 / 7.0 | 90 / 7.0 | 65 / 5.0 | 65 / 5.0 |

Symbols : :Oil filling :Drain plug :Oil level :Vent Plug

Operating Instructions

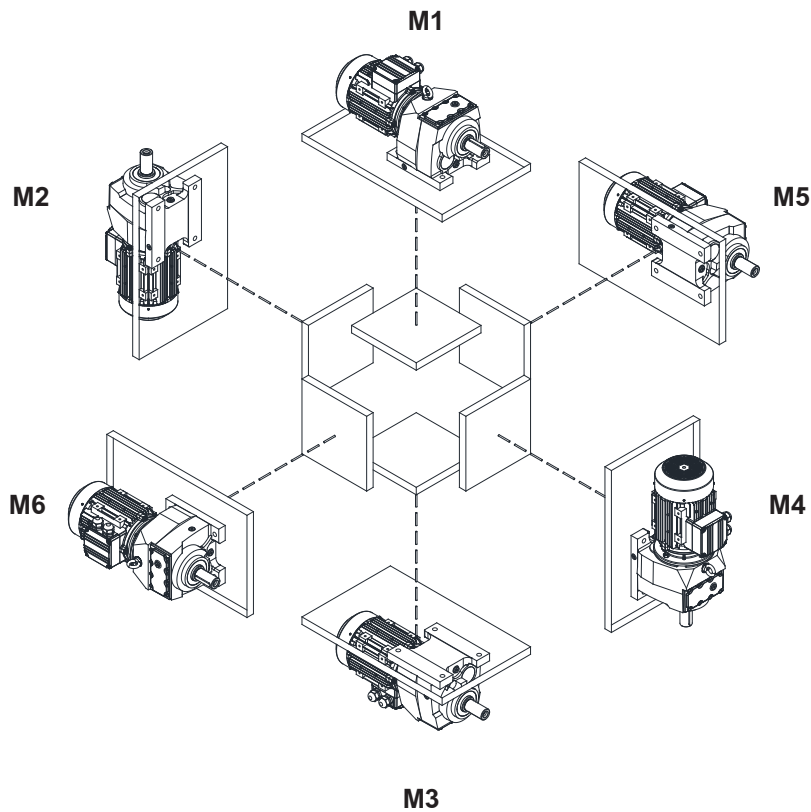
M/N Series

Mounting Positions

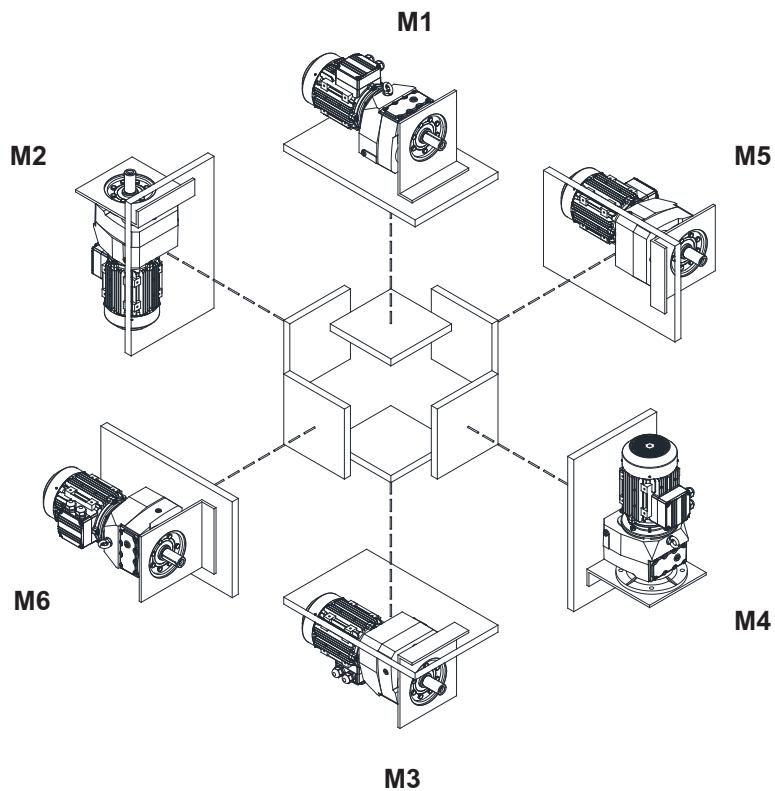


9.4- Mounting Positions

M Series



N Series



*Indicated mounting positions are determined as reference directional position of the gearbox.
Mounting surfaces are not binding.*



10- Troubleshooting Guide



All the operations bellow must be done by authorized and skilled mechanician /electrician. Inform YILMAZ REDUKTOR before making any change to the gearbox. Only oil change is allowed to change without information. Do not make anything if you are not sure what you are doing and contact YILMAZ REDUKTOR. Any change or operation done without the information of YILMAZ REDUKTOR is in your own risk and responsibility and YILMAZ REDUKTOR does not take any responsibility.

| ID | Problem | Observation | Remedy |
|-----|---------------------------|--|--|
| 001 | Gearbox Does Not Start Up | You hear no noise and shaft is not turning. You are not using any driver or frequency inverter. | Please Check the voltage supply and frequency of your electric connection. They must be in accordance with the nameplate of the motor. Observe motor manufacturers start up manual. Still does not work go to ID 100 |
| 002 | Gearbox Does Not Start Up | You hear no noise and shaft is not turning. You are using frequency inverter or driver. | Please observe the frequency inverter/driver manual. Check the motor by supplying direct voltage to see if the problem is on your driver/frequency inverter. Still does not work go to ID 001. |
| 003 | Gearbox Does Not Start Up | You hear some noise but both motor shaft and gearbox shaft is not turning. You are not using any driver /frequency inverter or braked motor. | Please Check the voltage supply and frequency of your electric connection. They must be in accordance with the nameplate of the motor. Observe motor manufacturers start up manual. Still same problem, the load may be too high for the chosen motor. Loosen the gearbox from the load/torque. If it works than the starting torque is insufficient and higher motor power is needed. For mono phase motors, check the starting up condensator and running condensator as well. If nothing helps go to ID 100 |
| 004 | Gearbox Does Not Start Up | You hear some noise but both motor shaft and gearbox shaft is not turning. You are using driver or frequency inverter. | Please observe the frequency inverters or drivers manual. To see if the problem is on your driver or frequency inverter take out the driver/frequency inverter and make direct voltage supply to the motor according the motors nameplate. Still does not work go to ID 100 |
| 005 | Gearbox Does Not Start Up | You hear some noise but both motor shaft and gearbox shaft is not turning. You are using braked motor | Please Check the voltage supply and frequency of your electric connection. They must be in accordance with the nameplate of the motor. Observe motor manufacturers start up manual. Be sure that the brake is working. Observe the brake manufacturers manuel. If brake is supplied from YILMAZ observe this manuel for correct brake wiring diagram. If still not work supply the brake with voltage according its nameplate directly. For example 198 V DC. You will hear a clicking noise explaining that the brake is opening. If you hear no noise the brake or rectifier is defect. If you hear the clicking noise the brake is working. You should this clicking noise by your normal electric connection as well. By supplying direct supply to the brake you hear the clicking noise and at same time you supply the motor with direct voltage according to its name plate and still same problem, the load may be too high for the chosen motor. Go to ID 003. |

Operating Instructions

M/N Series

Troubleshooting Guide



| ID | Problem | Observation | Remedy |
|-----|--|---|--|
| 006 | Gearbox Does Not Work in Low speeds / Frequencies. | You are using frequency inverter. | For very low speeds the frequency inverter frequency is lowering down. For very low frequencies the inverter parameter and motor parameter must be optimise. Also for low speeds the efficiency of the gearbox may vary too much. Specially for worm-gearboxes. The recommended frequency range is 20-70 Hz for worm-gearboxes and 10-70 Hz for Helical Gear Boxes. Use Higher motor power and Frequency inverter or change ratio of gearbox to work inside the recommended range. |
| 007 | Gearbox Does Not Start Mornings or After Long Time Stop. | Ambient Temperature is below +5 Celsius | The oil is not in accordance with your working conditions. Change to lower viscosity oils. Observe this manual for using the correct oil. Working in higher ambient temperatures is an other solution if possible. If still same problem you need higher motor power. |
| 008 | Gearbox is Heating Up too Much | You are using Worm Gear Box and ambient temperature is lower than +40 Celsius | Measure the surface temp. using a temperature measuring device under full load. If the temp is under +80 Celsius this will make no harm to the gearbox and is normal. All ATEX conforming gearboxes and standard worm gearboxes are designed to work under max. +120 Celsius. <u>If higher than +120 Celsius and using ATEX conforming gear box immediately stop the system and contact YILMAZ REDUKTOR.</u> Go to ID 100. If not ATEX confirming check the oil type and oil quantity/level according your mounting position and check the nameplate mounting position. If nameplate mounting position does not fit the actual position go to ID 100. |
| 009 | Gearbox is Heating Up too Much | You are using Helical Gear Box. Ambient temp is lower than +40 Celsius | Measure the surface temp. using a temperature measuring device under full load. If the temp is under +80 Celsius this will make no harm to the gearbox and is normal. All ATEX conforming gearboxes are designed to work under max. +120 Celsius. <u>If higher than +120 Celsius and using ATEX conforming gear box immediately stop the system and contact YILMAZ REDUKTOR.</u> If not ATEX gearbox the gearbox is designed to work under max. +80 Celsius. If higher than +80 Celsius check the oil type and oil quantity/level according your mounting position and check the nameplate mounting position. If nameplate mounting position does not fit the actual position go to ID 100 |
| 010 | Gearbox is Heating Up too Much | Ambient Temp is over +40 Celsius | Standard Gearboxes are designed to work under +40 Celsius. ambient temperature. If ambient temp is higher than +40 Celsius special solutions/gearboxes are required. Please contact YILMAZ |
| 011 | Gearbox is noisy | Noise is regular continuous | Check Your moving parts for noise. Disassemble the gearbox and run without load. If you still hear the noise motor bearings or gearbox bearings are defect. Change bearings. Go to ID 100 |
| 012 | Gearbox is noisy | Noise is random | Check Your moving parts for noise. Disassemble the gearbox and run without load. If you hear still the noise the oil may has some particles inside. Change the oil and look for small particles. If metal particles are found the gearbox may have some damage. Goto ID 100 |

Operating Instructions

M/N Series

Troubleshooting Guide



| ID | Problem | Observation | Remedy |
|-----|---|--|--|
| 013 | Gearbox is noisy | Regular knocking noise | Check Your moving parts for noise. Disassemble the gearbox and run without load. If you still hear the noise one of the gears inside is defect. Go to ID 100 |
| 014 | Gearbox is noisy | Regular up and down noise | Check the output-shaft connection elements for run out. Take out the output shaft element and run without load. If you still hear the noise one of the gears has run out problem. Go to ID 100 |
| 015 | Gearbox is noisy | Gearbox is with braked motor and noise is coming from the brake side randomly. | Low randomly clicking noise may come from the brake disk which is normal. If noise level is disturbing the brake may be defect or brake clearance is not adjusted. Go to ID 100 |
| 016 | Gearbox is noisy | You are using frequency inverter and the noise level is changing according your speed. | The frequency inverter parameters are not optimise for the frequency range or motor you are using. Observe the frequency inverters manual. If still same problem change the ratio of gearbox. Go to ID 100 |
| 017 | Oil is Leaking | Oil Leakage from Seal | If ambient Temp is over +40 Celsius or none stop work over 16 hours please change the top plug with a breather plug. Observe this manual for using breather plug. If this is not your case the seal could be damaged. Go to ID 100 |
| 018 | Oil is Leaking | Oil Leakage from Plug | If you are using breather plug be sure it is in the correct place. This is the most top plug position according your mounting position. The plug may be not tight enough. There are some particles under the plug rubber surface. Clean and tighten the plug. If still same problem go to ID 100 |
| 019 | Oil is Leaking | Oil Leakage from Housing | Observe exactly where the oil is coming out. It could be seal or plug point where it comes out and leaks over the housing. If this is your case go to ID 018/019. If you are sure oil comes out from housing than housing has some micro split / crack. Go to ID 100 |
| 020 | Oil is Leaking | Oil Leakage from Cover | The sealing liquid under cover is split/defect. Disassemble the cover and put new sealing liquid. Assemble the cover and tighten the bolts. If still same problem go to ID 100 |
| 021 | Gearbox is moving regularly on its mounting point | You are using Torque Arm | The movement of gear box is because of the run out of the shaft which you assemble the gearbox. This has no bad affect or harm to the gearbox and is normal unless you are using torque arm. |
| 022 | Gearbox is moving randomly on its mounting point | You are using Torque Arm | The movement of gear box is because of the run out and clearance of the shaft which you assemble the gearbox. Check the clearance of the assembling shaft and the clearances on your machine. This has no bad affect or harm to the gearbox unless you are using torque arm. |
| 023 | Motor is heating up | Motor is running over its nominal current | The motor power is not enough or some overload to the motor is possible. The motor may be defect. Go to ID 100 |
| 023 | Motor is heating up | Ambient is dusty | Check the motor Fan Hub and ribs. They must be free of dust. If you are using forced external fan, check if it is working. If you are using frequency inverter in low speeds and you do not have forced external fan, you may need forced external fan. Go to ID 100 |

Operating Instructions

M/N Series

Troubleshooting Guide



| ID | Problem | Observation | Remedy |
|-----|---|--|---|
| 024 | Motor is running but Gear-box shaft does not turn | Scratching noise comes out | Some part (key, gear) may be defect inside gearbox. Go to ID 10 |
| 025 | Gearbox Housing is Defect | You are using chain drive or pinion gear | The radial load or polygon effect of the chain may have caused the damage. Check also if the assembly bolts are loosened or the plate you assemble the gearbox is rigid enough. Check if you are using the correct diameter of chain drive and you are not exceeding max. allowed radial load. Check the position of your output element and re-calculate your radial load and check if this fit to the maximum allowed radial load. Go to ID 100 |
| 026 | Output Shaft is Defect | You are using chain drive or pinion gear | The radial load or polygon effect of the chain may have caused the damage. Check also if the assembly bolts are loosened or the plate you assemble the gearbox is rigid enough. Check if you are using the correct diameter of chain drive and you are not exceeding max. allowed radial load. Check the position of your output element and re-calculate your radial load and check if this fit to the maximum allowed radial load. Go to ID 100 |
| 027 | Gearbox is stopping too late | You are using braked motor | Please check the wiring diagram of the brake. There are two different kind of brake wiring diagram. The standard gearbox delivered from our factory is set to delayed braking. For sudden braking check the wiring diagram. |
| 028 | Gearbox is starting too late | You are using braked motor | For fast opening of big brakes (over 100 Nm), you may need shock transformers which is supplied by YILMAZ. Go to ID 100 |
| 100 | Service Required | No self solution found | Please contact YILMAZ REDUKTOR Service point. See on the back side of this manual. Changing mechanical parts of gearbox can only be done by YILMAZ REDUKTOR or with information of YILMAZ REDUKTOR. Any change without informing YILMAZ REDUKTOR will cancel the warranty, manufacturer declaration and YILMAZ REDUKTOR will take no responsibility. |

11- Disposal

If your product is no longer of use and you wish to dispose it, refer to the instructions here. If you have any questions regarding ecological disposal methods, please consult our service points given on the backside of this manual.

11.1- Disposal of Oil

Lubricants (oil and greases) are hazardous substances, which can contaminate soil and water. Collect drained lubricant into suitable receptacles and dispose of it according to the valid national guidelines.

11.2- Disposal of Sealing

Remove the sealing rings from the gear reducer, and clean them of oil and grease residues. Dispose of the sealing as composite material (metal/plastic)

11.3- Disposal of Metal

Divide up the remainder of the gear reducer into iron, aluminium, non-ferrous heavy metal if possible. Dispose of it according to the valid national guidelines.

Appendix



Warranty Conditions:

1. The geared motors and gear units are warranted for two year except the electric motor. For motor warranty please refer to the manual of the electric motor manufacturer or the warranty document of the motor manufacturer. This warranty is valid only if the gearbox is assembled and started up according our operating instructions and is used under the allowed conditions for the appropriate gearbox type in our catalogue. Special Gearbox parts made according customer request are not covered by this warranty.
2. The warranty time starts from the start up time written on the warranty document and last for two years. If the start-up time is more then three months after the billing time, the total warranty time is limited to 27 months starting from billing time. If the warranty document is not send to our company after start-up, the total warranty time will be limited to 24 months after the billing time.
3. Any time during the warranty for maintenance, repair or change will be added to the warranty time. This time starts from the date which the company or representative was made aware of the problem and ends on the date of the re-start-up.
4. If the product fails to operate because of a manufacturing or assembly failure during the warranty time, the product will be repaired free of charge.
5. If the product fails to operate because of a manufacturing or assembly failure during the warranty time and it is not possible to repair it, the product will be changed with a new one according to the report from our service department mentioning that the hazard can not be repaired.
6. Costumers must inform the manufacturer if there are some problems after the service and repair of the failed product.
7. The extra costs like stopped plant, physical or mental injuries etc. by the costumer side are not covered by this warranty except the product itself.

YILMAZ REDUKTOR San. ve Tic. A.S.

ATATÜRK Mah. Lozan Cad. No:17 P.K.34522 Esenyurt-İstanbul- TURKİYE

Telephone: +90 (0) 212 886 90 01 (8 line) , Fax: +90 (0) 212 886 54 57



Warranty Declaration and Instruction Manual Receipt Form

YILMAZ REDUKTOR products are warranted for **2 (Two)** years covering all parts and materials used in products and their production errors unless they are started-up and used according our service manual and is not modified or disassembled without an acknowledgement from our company.

The warranty covers all costs like repair, service, spare parts etc. and no charge will be asked under any name. The time for repair, service will be added to the warranty time.

For detailed warranty conditions please refer the back side of this page.

Serial No:

Type:

Manufacturer:

Company : YILMAZ REDUKTOR Sanayi ve Ticaret A.S.
Address : ATATÜRK Mah. Lozan Cad. No:17 P.K.34522
Esenyurt-Istanbul- TURKIYE
Telephone : +90 (0) 212 886 90 01 (8 line)
Fax : +90 (0) 212 886 54 57

Stamp and Signature

Supplier / End User:

With signing this part and sending this back to our company your warranty period will be started and you are accepting that you have received the operating instruction of the product.

Name:

Billing Date/ Bill No.:

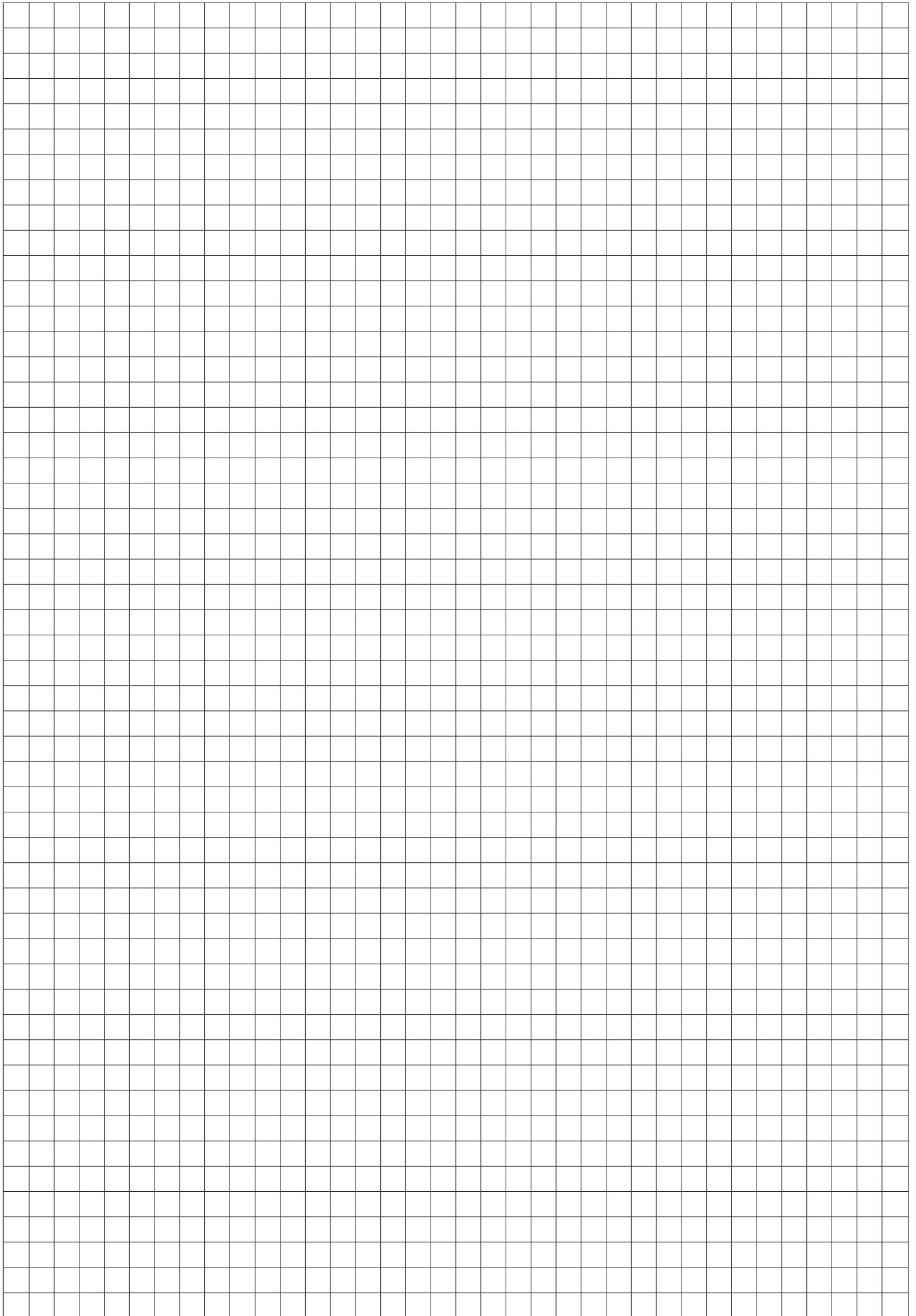
Start-Up Place / Date:

Address:

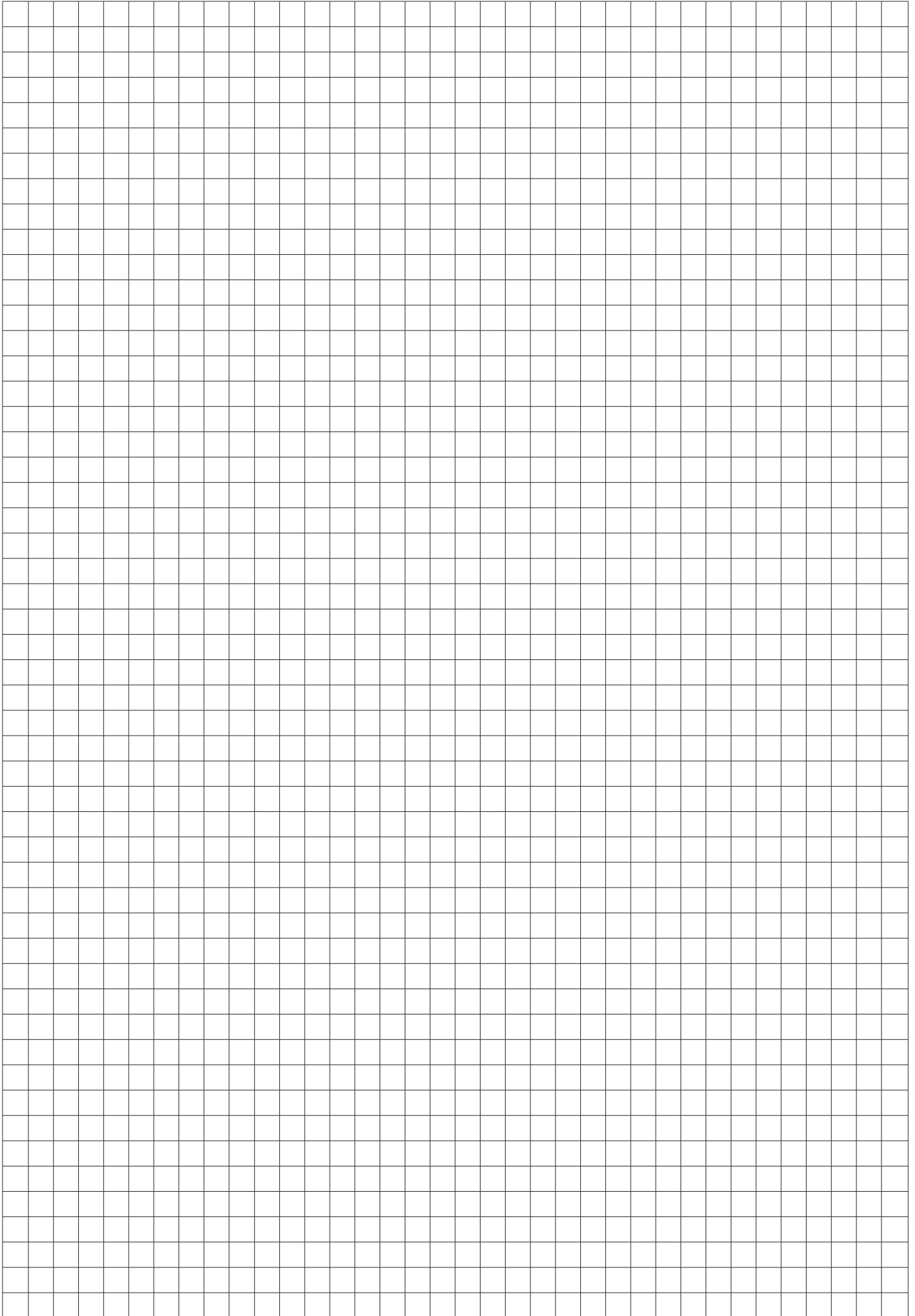
Phone - Fax:

Supplier/ End User Stamp and Signature

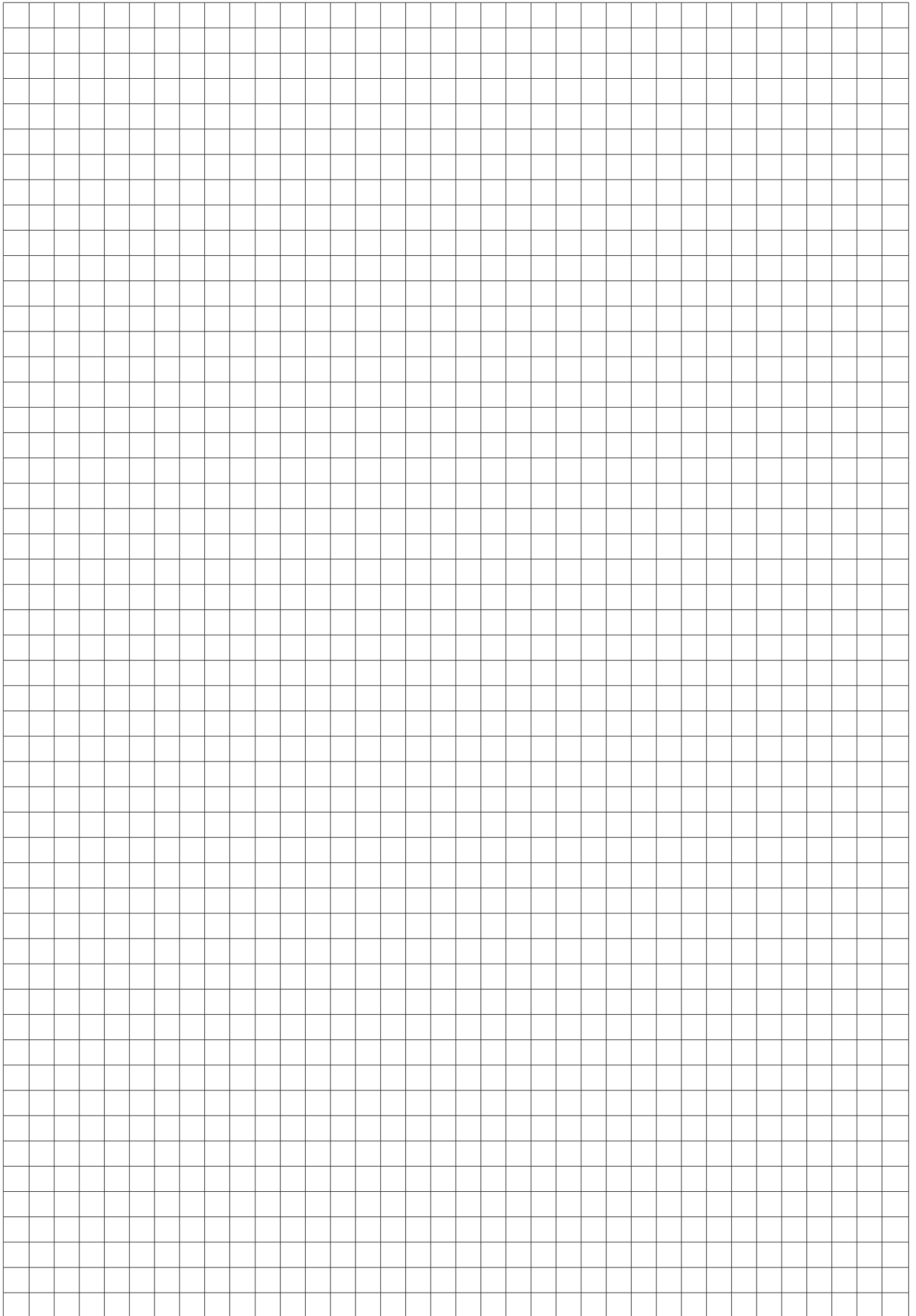
Notes



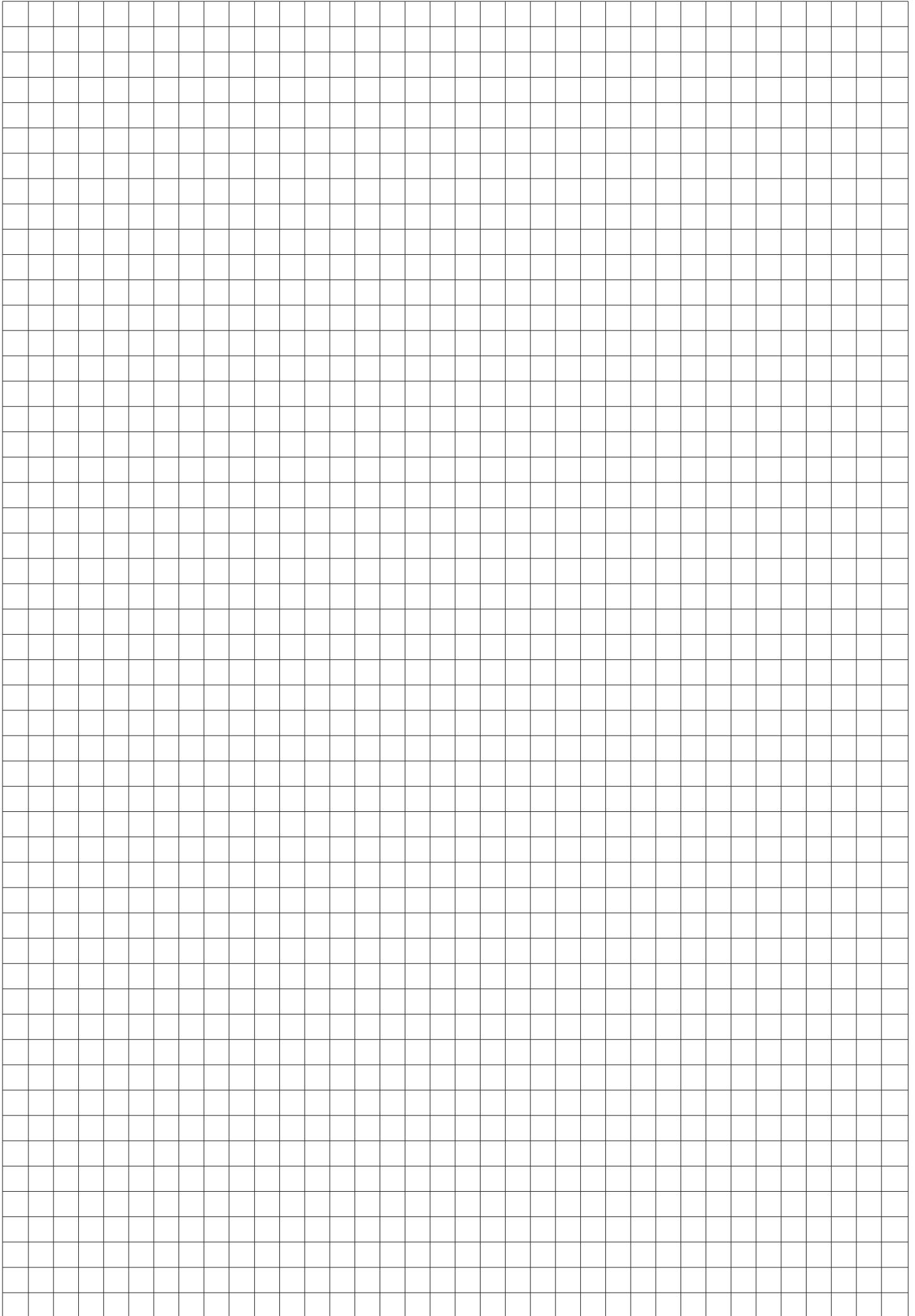
Notes



Notes



Notes





Domestic Service

Tel: +90 212 886 90 00

Int: 1223, 1228, 1287

E-Mail: servis@yr.com.tr

Spare Parts

Tel: +90 212 886 90 00

Int: 1224, 1277

E-Mail: yedekparca@yr.com.tr

International Services

If you call the above service point, you will be directed to our nearest service.

Yılmaz Redüktör Sanayi ve Ticaret A.Ş.

Atatürk Mah. Lozan Cad. No: 17, 34522 Esenyurt - İstanbul / Turkey

Tel: +90 212 886 90 00 | Fax: +90 212 886 54 57 | E-Mail: yilmaz@yr.com.tr