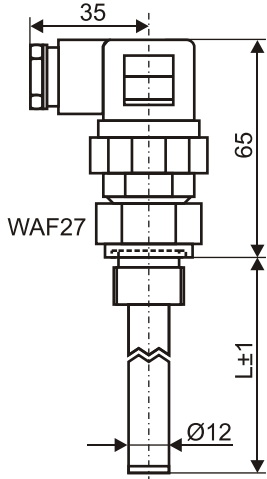


Data sheet

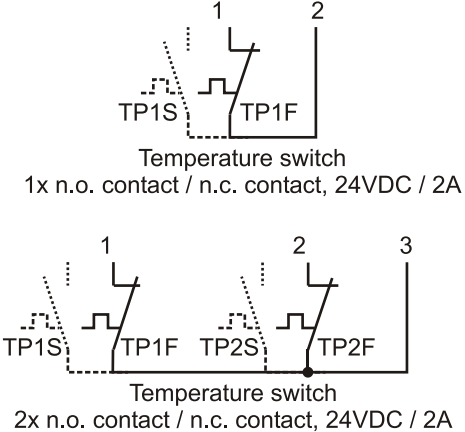
Temperature circuit breaker bi-metal $\pm 3^{\circ}\text{C}$

Type: TSB-1...

Mounting BE12 to BE16 (thread)



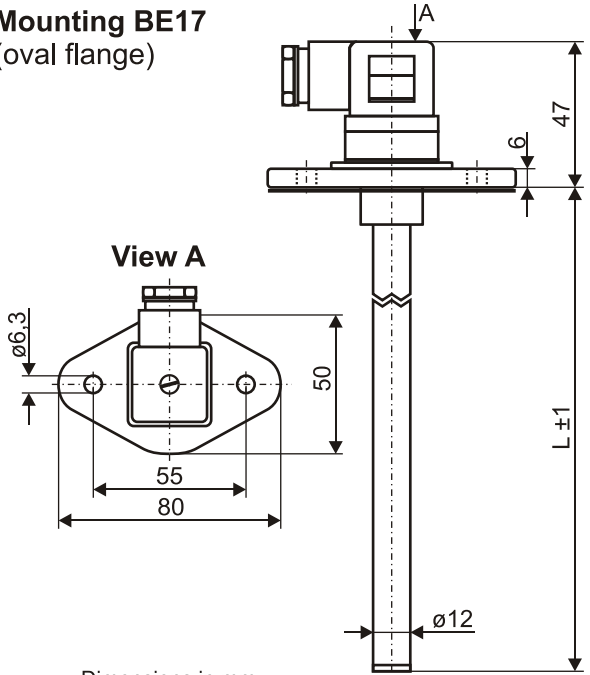
Terminal diagrams



Temperature switch
1x n.o. contact / n.c. contact, 24VDC / 2A

Temperature switch
2x n.o. contact / n.c. contact, 24VDC / 2A

Mounting BE17 (oval flange)



Dimensions in mm

Order key

Example: TSB-1 . AS08 . BE15 . RH09=150 . TP1S=60 . TP2F=68

Type TSB-1
Electrical connection AS08: plug-type connection 3-pole, DIN EN 175301-803
Mounting BE12: 1/2" brass BE13: 3/8" brass BE14: 3/4" aluminium BE15: 1/2" stainless steel BE16: 3/8" stainless steel BE17: oval flange
Conduit RHxx = length L in mm RH03: Ø12mm brass RH09: Ø12mm stainless steel
Temperature switching point TPxF/S = temp. in °C x = 1, switching point 1 x = 2, switching point 2 normally closed contact: TP1F; TP2F normally open contact: TP1S; TP2S

Technical data	
Connection:	plug-type connection 3-pole + PE, DIN EN 175301-803 (DIN 43650), material PA
Mounting:	see order key, further mountings on demand
Seal for mounting BE17:	material NBR
Conduit:	Ø12mm, material brass or stainless steel 1.4571 length L ± 1 mm accord. to customer specification
Temperature switch	
Technology, no. of contacts:	bi-metal, max. 2x n.c. contacts / n.o. contacts
Temperature setting range:	30°C to 125°C, other temperatures on demand
Tolerance:	$\pm 3\text{K}$
Reset temperature:	temperature switching point (TP) - 1°C
Switching capacity:	24VDC / 2A
Pressure:	with mounting BE17: atmospheric; with BE12 to BE16: max. 1 bar
Operating temperature:	-20°C to 80°C in medium; -20°C to 70°C above mounting
Protection rating:	IP 65