

## Tilt sensor N5

The N5 tilt sensor with CAN-Bus interface is available as a CANopen or SAEJ1939 variant. It has a high impact and vibration resistance so is frequently used for tilt measurement in construction machinery, industrial trucks and adverse industrial environments. The N5 can be easily programmed and the neutral position adjusted with the corresponding infrared remote control.

### Product characteristics

- Long service life and reliability thanks to the mechanics-free MEMS technology
- Inclination range single axis 360°, or double axis 180
- Up to 4 additional, freely configurable switching points
- Switch-on/switch-off delay per switching point selectable
- Adjustment of the zero position via CAN bus, or IR remote control
- Protection class IP67
- Temperature resistant from -40 °C to +85 °C
- Deutsch or M12 plug
- Daisy chain – looping through the CAN signal without additional T-distributors
- Compact, flat and outdoor-suitable housing
- Stack mounting for redundancy

**Technical drawing**

IMAGE 1/5

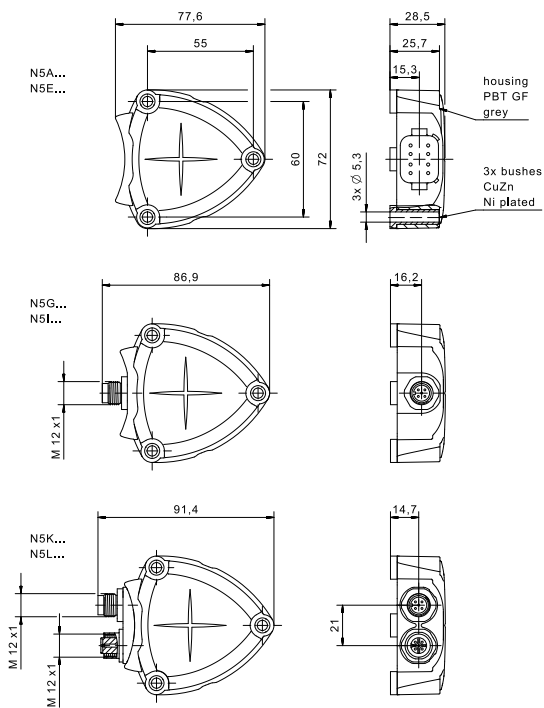
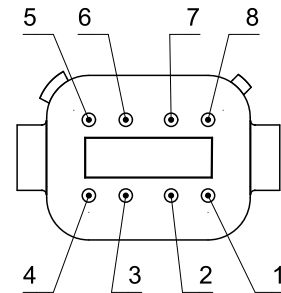


IMAGE 2/5

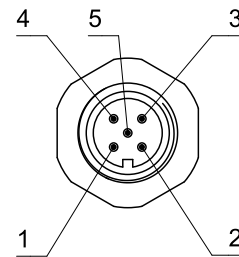
N5A...  
 N5E...

male Deutsch DT06-8S



N5G...  
 N5I...

male M12



N5K...  
 N5L...

male M12

female M12

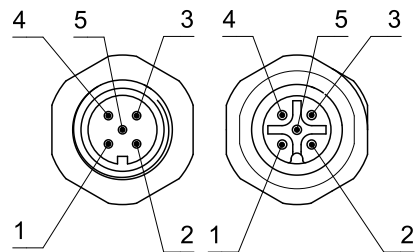
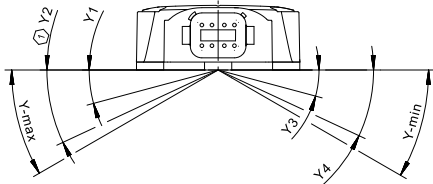


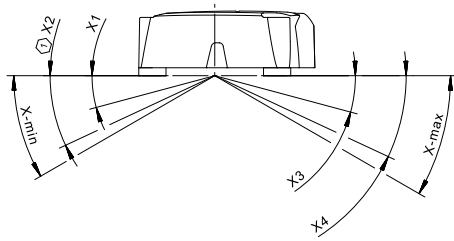
IMAGE 3/5

N5A...  
 N5G...  
 N5K...

180° (±90°) horizontally mounted Y-axis



180° (±90°) horizontally mounted X-axis

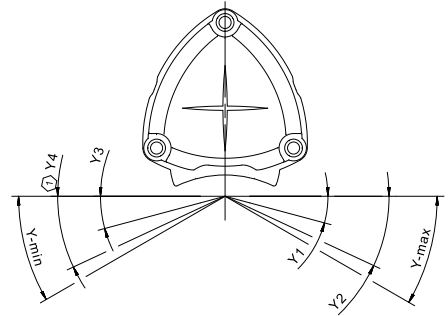


① Only available at N5A...

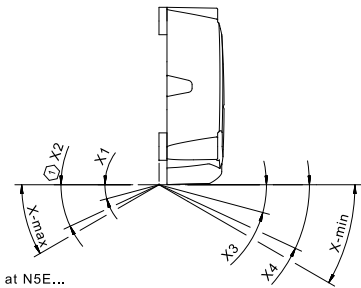
IMAGE 4/5

N5E...  
 N5I...  
 N5L...

360° (±180°) vertically mounted Y-axis

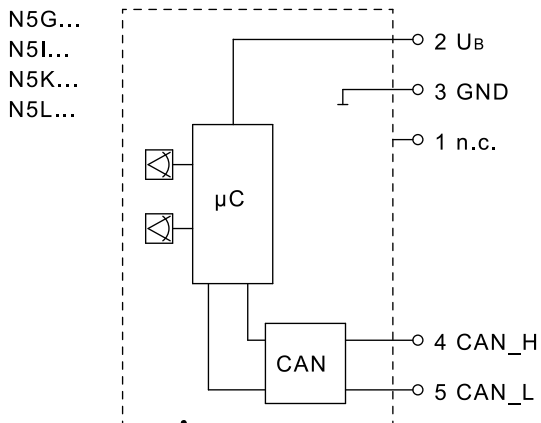
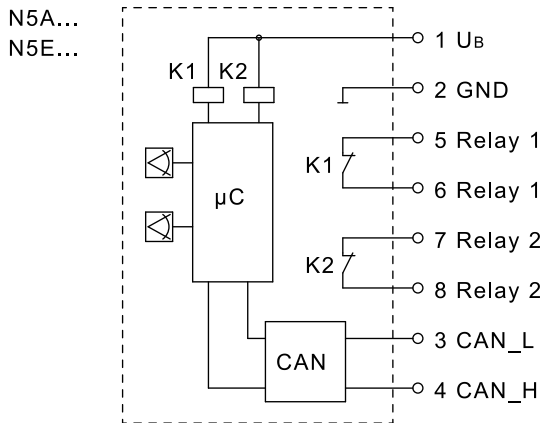


120° (±60°) vertically mounted X-axis



① Only available at N5E...

IMAGE 5/5



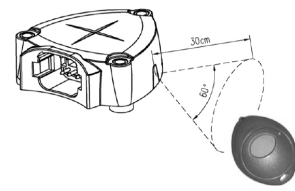
**Product options**

IMAGE 1/2

| ORDERING KEY |             | 10 model 8501 200 |                   | 10 model 8501 200 |                   |
|--------------|-------------|-------------------|-------------------|-------------------|-------------------|
| no.          |             |                   |                   |                   |                   |
| A            | Accessories | 10 model 8501 200 | 10 model 8501 200 | 10 model 8501 200 | 10 model 8501 200 |
| B            | Accessories | 10 model 8501 200 | 10 model 8501 200 | 10 model 8501 200 | 10 model 8501 200 |
| C            | Accessories | 10 model 8501 200 | 10 model 8501 200 | 10 model 8501 200 | 10 model 8501 200 |
| D            | Accessories | 10 model 8501 200 | 10 model 8501 200 | 10 model 8501 200 | 10 model 8501 200 |
| E            | Accessories | 10 model 8501 200 | 10 model 8501 200 | 10 model 8501 200 | 10 model 8501 200 |
| F            | Accessories | 10 model 8501 200 | 10 model 8501 200 | 10 model 8501 200 | 10 model 8501 200 |
| G            | Accessories | 10 model 8501 200 | 10 model 8501 200 | 10 model 8501 200 | 10 model 8501 200 |
| H            | Accessories | 10 model 8501 200 | 10 model 8501 200 | 10 model 8501 200 | 10 model 8501 200 |
| I            | Accessories | 10 model 8501 200 | 10 model 8501 200 | 10 model 8501 200 | 10 model 8501 200 |
| J            | Accessories | 10 model 8501 200 | 10 model 8501 200 | 10 model 8501 200 | 10 model 8501 200 |
| K            | Accessories | 10 model 8501 200 | 10 model 8501 200 | 10 model 8501 200 | 10 model 8501 200 |
| L            | Accessories | 10 model 8501 200 | 10 model 8501 200 | 10 model 8501 200 | 10 model 8501 200 |
| M            | Accessories | 10 model 8501 200 | 10 model 8501 200 | 10 model 8501 200 | 10 model 8501 200 |
| N            | Accessories | 10 model 8501 200 | 10 model 8501 200 | 10 model 8501 200 | 10 model 8501 200 |
| O            | Accessories | 10 model 8501 200 | 10 model 8501 200 | 10 model 8501 200 | 10 model 8501 200 |
| P            | Accessories | 10 model 8501 200 | 10 model 8501 200 | 10 model 8501 200 | 10 model 8501 200 |
| Q            | Accessories | 10 model 8501 200 | 10 model 8501 200 | 10 model 8501 200 | 10 model 8501 200 |
| R            | Accessories | 10 model 8501 200 | 10 model 8501 200 | 10 model 8501 200 | 10 model 8501 200 |
| S            | Accessories | 10 model 8501 200 | 10 model 8501 200 | 10 model 8501 200 | 10 model 8501 200 |
| T            | Accessories | 10 model 8501 200 | 10 model 8501 200 | 10 model 8501 200 | 10 model 8501 200 |
| U            | Accessories | 10 model 8501 200 | 10 model 8501 200 | 10 model 8501 200 | 10 model 8501 200 |
| V            | Accessories | 10 model 8501 200 | 10 model 8501 200 | 10 model 8501 200 | 10 model 8501 200 |
| W            | Accessories | 10 model 8501 200 | 10 model 8501 200 | 10 model 8501 200 | 10 model 8501 200 |
| X            | Accessories | 10 model 8501 200 | 10 model 8501 200 | 10 model 8501 200 | 10 model 8501 200 |
| Y            | Accessories | 10 model 8501 200 | 10 model 8501 200 | 10 model 8501 200 | 10 model 8501 200 |
| Z            | Accessories | 10 model 8501 200 | 10 model 8501 200 | 10 model 8501 200 | 10 model 8501 200 |

IMAGE 2/2

Infrared remote control for neutral position adjustment IR-NGS01



All tilt sensors are preprogrammed with a neutral position. If required, the neutral position can be adjusted using an infrared remote control. During this adjustment, the current inclination angle is defined as the neutral position.

## Electrical data

| Attribute                                        | N5ACJ...   | N5ACJB...                      | N5ACO...                                                | N5ACOB...                      | N5ECJ...  | N5ECJB... ▶                     |
|--------------------------------------------------|------------|--------------------------------|---------------------------------------------------------|--------------------------------|-----------|---------------------------------|
| Max. switching voltage                           | -          | 48 V DC                        | -                                                       | 48 V DC                        | -         | 48 V DC                         |
| Max. switching current                           | -          | 1 A                            | -                                                       | 1 A                            | -         | 1 A                             |
| Max. switching power                             | -          | 30 W                           | -                                                       | 30 W                           | -         | 30 W                            |
| Polarity reversal protection                     | yes        |                                |                                                         |                                |           |                                 |
| Resolution                                       | 0.014 °    |                                |                                                         |                                |           |                                 |
| Operating voltage min.                           | 9 V DC     |                                |                                                         |                                |           |                                 |
| Operating voltage max.                           | 32 V DC    |                                |                                                         |                                |           |                                 |
| Current consumption                              | 100 mA     |                                |                                                         |                                |           |                                 |
| Short-circuit resistance to GND                  | yes        | no                             | yes                                                     | no                             | yes       | no                              |
| Short-circuit resistance to supply               | yes        | no                             | yes                                                     | no                             | yes       | no                              |
| Repeating accuracy                               | < 0,3 °    |                                |                                                         |                                |           |                                 |
| Signal update rate                               | 200 Hz     |                                |                                                         |                                |           |                                 |
| Technology                                       | MEMS       |                                |                                                         |                                |           |                                 |
| Number of measurement axes (Number)              | 2          |                                | 2 (X, Y) Z-axis for signaling the installation position |                                | 2         |                                 |
| Angle measuring range                            | 180 °      |                                |                                                         |                                | 360/120 ° |                                 |
| Initialisation time after power on/start-up time | 500 ms     |                                |                                                         |                                |           |                                 |
| Switching points                                 | -          | Selectable from ±1.5° ...±90 ° | -                                                       | Selectable from ±1.5° ...±90 ° | -         | Selectable from ±1.5° ...±180 ° |
| Zero justification                               | ±60°       |                                |                                                         |                                |           |                                 |
| Vibration filter                                 | 25 Hz      |                                |                                                         |                                |           |                                 |
| Fieldbus system                                  | CAN        |                                |                                                         |                                |           |                                 |
| Protocol                                         | J1939      |                                | CANopen                                                 |                                | J1939     |                                 |
| Node ID / Source Address                         | 0xE2       |                                | 0x20                                                    |                                | 0xE2      |                                 |
| Transmitting cycle                               | 10 ms      |                                |                                                         |                                |           |                                 |
| Baud rate                                        | 250 kBit/s |                                |                                                         |                                |           |                                 |

## Electrical data

| Attribute                                 | N5ACJ...             | N5ACJB...                                     | N5ACO... | N5ACOB...                                     | N5ECJ...  | N5ECJB... ▶                                   |
|-------------------------------------------|----------------------|-----------------------------------------------|----------|-----------------------------------------------|-----------|-----------------------------------------------|
| <b>Bus terminating resistor</b>           | no                   |                                               |          |                                               |           |                                               |
| <b>MTTF</b>                               | 57.6 a               |                                               |          |                                               |           |                                               |
| <b>Switching output</b>                   | -                    | 2x NO                                         | -        | 2x NO                                         | -         | 2x NO                                         |
| <b>Outputs</b>                            | CAN J1939            | CAN J1939 + relay                             | CANopen  | CANopen + relay                               | CAN J1939 | CAN J1939 + relay                             |
| <b>Turn-on delay</b>                      | -                    | Selectable (0...2 s<br>in 0.5s<br>increments) | -        | Selectable (0...2 s<br>in 0.5s<br>increments) | -         | Selectable (0...2 s<br>in 0.5s<br>increments) |
| <b>Turn-off delay</b>                     | -                    | Selectable (0...2 s<br>in 0.5s<br>increments) | -        | Selectable (0...2 s<br>in 0.5s<br>increments) | -         | Selectable (0...2 s<br>in 0.5s<br>increments) |
| <b>Connection type (switching output)</b> | -                    | Selectable                                    | -        | Selectable                                    | -         | Selectable                                    |
| <b>Temperature coefficient</b>            | $\pm 0,02^{\circ}/K$ |                                               |          |                                               |           |                                               |
| <b>Linearity error</b>                    | $< \pm 0,4^{\circ}$  |                                               |          |                                               |           |                                               |

## Electrical data

| Attribute                                        | N5ECO...  | N5ECOB...                      | N5GCJ... | N5GCO...                                                | N5ICJ...  | N5ICO... ▶ |
|--------------------------------------------------|-----------|--------------------------------|----------|---------------------------------------------------------|-----------|------------|
| Max. switching voltage                           | -         | 48 V DC                        |          |                                                         | -         |            |
| Max. switching current                           | -         | 1 A                            |          |                                                         | -         |            |
| Max. switching power                             | -         | 30 W                           |          |                                                         | -         |            |
| Polarity reversal protection                     | yes       |                                |          |                                                         |           |            |
| Resolution                                       | 0.014 °   |                                |          |                                                         |           |            |
| Operating voltage min.                           | 9 V DC    |                                |          |                                                         |           |            |
| Operating voltage max.                           | 32 V DC   |                                |          |                                                         |           |            |
| Current consumption                              | 100 mA    |                                |          |                                                         |           |            |
| Short-circuit resistance to GND                  | yes       | no                             |          |                                                         | yes       |            |
| Short-circuit resistance to supply               | yes       | no                             |          |                                                         | yes       |            |
| Repeating accuracy                               | < 0,3 °   |                                |          |                                                         |           |            |
| Signal update rate                               | 200 Hz    |                                |          |                                                         |           |            |
| Technology                                       | MEMS      |                                |          |                                                         |           |            |
| Number of measurement axes (Number)              | 2         |                                |          | 2 (X, Y) Z-axis for signaling the installation position | 2         |            |
| Angle measuring range                            | 360/120 ° |                                | 180 °    |                                                         | 360/120 ° |            |
| Initialisation time after power on/start-up time | 500 ms    |                                |          |                                                         |           |            |
| Switching points                                 | -         | Selectable from ±1.5°...±180 ° | -        |                                                         |           |            |
| Zero justification                               | ±60°      |                                |          |                                                         |           |            |
| Vibration filter                                 | 25 Hz     |                                |          |                                                         |           |            |
| Fieldbus system                                  | CAN       |                                |          |                                                         |           |            |
| Protocol                                         | CANopen   |                                | J1939    | CANopen                                                 | J1939     | CANopen    |
| Node ID / Source Address                         | 0x20      |                                | 0xE2     | 0x20                                                    | 0xE2      | 0x20       |
| Transmitting cycle                               | 10 ms     |                                |          |                                                         |           |            |



## Electrical data

| Attribute                                 | N5ECO...             | N5ECOB...                                     | N5GCJ...  | N5GCO... | N5ICJ...  | N5ICO... ▶ |
|-------------------------------------------|----------------------|-----------------------------------------------|-----------|----------|-----------|------------|
| <b>Baud rate</b>                          | 250 kBit/s           |                                               |           |          |           |            |
| <b>Bus terminating resistor</b>           | no                   |                                               |           |          |           |            |
| <b>MTTF</b>                               | 57.6 a               |                                               |           |          |           |            |
| <b>Switching output</b>                   | -                    | 2x NO                                         | -         |          |           |            |
| <b>Outputs</b>                            | CANopen              | CANopen + relay                               | CAN J1939 | CANopen  | CAN J1939 | CANopen    |
| <b>Turn-on delay</b>                      | -                    | Selectable (0...2 s<br>in 0.5s<br>increments) | -         |          |           |            |
| <b>Turn-off delay</b>                     | -                    | Selectable (0...2 s<br>in 0.5s<br>increments) | -         |          |           |            |
| <b>Connection type (switching output)</b> | -                    | Selectable                                    | -         |          |           |            |
| <b>Temperature coefficient</b>            | $\pm 0,02^{\circ}/K$ |                                               |           |          |           |            |
| <b>Linearity error</b>                    | $< \pm 0,4^{\circ}$  |                                               |           |          |           |            |

## Electrical data

| Attribute                                        | N5KCJ...   | N5KCO...                                                | N5LCJ...  | N5LCO... |
|--------------------------------------------------|------------|---------------------------------------------------------|-----------|----------|
| Max. switching voltage                           | -          |                                                         |           |          |
| Max. switching current                           | -          |                                                         |           |          |
| Max. switching power                             | -          |                                                         |           |          |
| Polarity reversal protection                     | yes        |                                                         |           |          |
| Resolution                                       | 0.014 °    |                                                         |           |          |
| Operating voltage min.                           | 9 V DC     |                                                         |           |          |
| Operating voltage max.                           | 32 V DC    |                                                         |           |          |
| Current consumption                              | 100 mA     |                                                         |           |          |
| Short-circuit resistance to GND                  | yes        |                                                         |           |          |
| Short-circuit resistance to supply               | yes        |                                                         |           |          |
| Repeating accuracy                               | < 0,3 °    |                                                         |           |          |
| Signal update rate                               | 200 Hz     |                                                         |           |          |
| Technology                                       | MEMS       |                                                         |           |          |
| Number of measurement axes (Number)              | 2          | 2 (X, Y) Z-axis for signaling the installation position | 2         |          |
| Angle measuring range                            | 180 °      |                                                         | 360/120 ° |          |
| Initialisation time after power on/start-up time | 500 ms     |                                                         |           |          |
| Switching points                                 | -          |                                                         |           |          |
| Zero justification                               | ±60°       |                                                         |           |          |
| Vibration filter                                 | 25 Hz      |                                                         |           |          |
| Fieldbus system                                  | CAN        |                                                         |           |          |
| Protocol                                         | J1939      | CANopen                                                 | J1939     | CANopen  |
| Node ID / Source Address                         | 0xE2       | 0x20                                                    | 0xE2      | 0x20     |
| Transmitting cycle                               | 10 ms      |                                                         |           |          |
| Baud rate                                        | 250 kBit/s |                                                         |           |          |
| Bus terminating resistor                         | no         |                                                         |           |          |

## Electrical data

| Attribute                          | N5KCJ...             | N5KCO... | N5LCJ...  | N5LCO... |
|------------------------------------|----------------------|----------|-----------|----------|
| MTTF                               | 57.6 a               |          |           |          |
| Switching output                   | -                    |          |           |          |
| Outputs                            | CAN J1939            | CANopen  | CAN J1939 | CANopen  |
| Turn-on delay                      | -                    |          |           |          |
| Turn-off delay                     | -                    |          |           |          |
| Connection type (switching output) | -                    |          |           |          |
| Temperature coefficient            | $\pm 0,02^{\circ}/K$ |          |           |          |
| Linearity error                    | $< \pm 0,4^{\circ}$  |          |           |          |

## Material information

| Attribute        | N5ACJ...                            | N5ACJB... | N5ACO... | N5ACOB... | N5ECJ... | N5ECJB... ▶ |
|------------------|-------------------------------------|-----------|----------|-----------|----------|-------------|
| Housing material | Housing top: PBT; Housing cover: PC |           |          |           |          |             |

## Material information

| Attribute        | N5ECO...                            | N5ECOB... | N5GCJ... | N5GCO... | N5ICJ... | N5ICO... ▶ |
|------------------|-------------------------------------|-----------|----------|----------|----------|------------|
| Housing material | Housing top: PBT; Housing cover: PC |           |          |          |          |            |

## Material information

| Attribute        | N5KCJ...                            | N5KCO... | N5LCJ... | N5LCO... |
|------------------|-------------------------------------|----------|----------|----------|
| Housing material | Housing top: PBT; Housing cover: PC |          |          |          |

## Environmental conditions

| Attribute                                                          | N5ACJ...                                                                                                                        | N5ACJB... | N5ACO... | N5ACOB... | N5ECJ... | N5ECJB... ▶ |
|--------------------------------------------------------------------|---------------------------------------------------------------------------------------------------------------------------------|-----------|----------|-----------|----------|-------------|
| <b>Protection class</b>                                            | IP67 DIN EN 60529                                                                                                               |           |          |           |          |             |
| <b>Operating temperature min.</b>                                  | -40 °C                                                                                                                          |           |          |           |          |             |
| <b>Max. operating temperature</b>                                  | 85 °C                                                                                                                           |           |          |           |          |             |
| <b>Min. storage temperature</b>                                    | -40 °C                                                                                                                          |           |          |           |          |             |
| <b>Max. storage temperature</b>                                    | 105 °C                                                                                                                          |           |          |           |          |             |
| <b>Shock resistance (Norm)</b>                                     | 500 m/s <sup>2</sup> ;; 100 shocks per axis, DIN EN 60068-2-27                                                                  |           |          |           |          |             |
| <b>Vibration resistance (Norm)</b>                                 | Sine Vibration: 100 m/s <sup>2</sup> ;; 19h, DIN EN 60068-2-6 Random Vibration: 80,1 m/s <sup>2</sup> ;; 24h, DIN EN 60068-2-64 |           |          |           |          |             |
| <b>Impact resistance (Norm)</b>                                    | max. 50 g                                                                                                                       |           |          |           |          |             |
| <b>EMC Agricultural and forestry machines (Norm)</b>               | DIN EN ISO 14982<br>pulse 5b: max. voltage 65 V (absolute), functional status C for pulse 1 and 4                               |           |          |           |          |             |
| <b>EMC Earth-moving and building construction machinery (Norm)</b> | DIN EN ISO 13766-1<br>pulse "load dump": max. voltage 65 V (absolute)                                                           |           |          |           |          |             |
| <b>EMC Industrial trucks (Norm)</b>                                | DIN EN 12895                                                                                                                    |           |          |           |          |             |

## Environmental conditions

| Attribute                                                          | N5ECO...                                                                                                                        | N5ECOB... | N5GCJ... | N5GCO... | N5ICJ... | N5ICO... ▶ |
|--------------------------------------------------------------------|---------------------------------------------------------------------------------------------------------------------------------|-----------|----------|----------|----------|------------|
| <b>Protection class</b>                                            | IP67 DIN EN 60529                                                                                                               |           |          |          |          |            |
| <b>Operating temperature min.</b>                                  | -40 °C                                                                                                                          |           |          |          |          |            |
| <b>Max. operating temperature</b>                                  | 85 °C                                                                                                                           |           |          |          |          |            |
| <b>Min. storage temperature</b>                                    | -40 °C                                                                                                                          |           |          |          |          |            |
| <b>Max. storage temperature</b>                                    | 105 °C                                                                                                                          |           |          |          |          |            |
| <b>Shock resistance (Norm)</b>                                     | 500 m/s <sup>2</sup> ;; 100 shocks per axis, DIN EN 60068-2-27                                                                  |           |          |          |          |            |
| <b>Vibration resistance (Norm)</b>                                 | Sine Vibration: 100 m/s <sup>2</sup> ;; 19h, DIN EN 60068-2-6 Random Vibration: 80,1 m/s <sup>2</sup> ;; 24h, DIN EN 60068-2-64 |           |          |          |          |            |
| <b>Impact resistance (Norm)</b>                                    | max. 50 g                                                                                                                       |           |          |          |          |            |
| <b>EMC Agricultural and forestry machines (Norm)</b>               | DIN EN ISO 14982<br>pulse 5b: max. voltage 65 V (absolute), functional status C for pulse 1 and 4                               |           |          |          |          |            |
| <b>EMC Earth-moving and building construction machinery (Norm)</b> | DIN EN ISO 13766-1<br>pulse "load dump": max. voltage 65 V (absolute)                                                           |           |          |          |          |            |
| <b>EMC Industrial trucks (Norm)</b>                                | DIN EN 12895                                                                                                                    |           |          |          |          |            |

## Environmental conditions

| Attribute                                                   | N5KCJ...                                                                                                                        | N5KCO... | N5LCJ... | N5LCO... |
|-------------------------------------------------------------|---------------------------------------------------------------------------------------------------------------------------------|----------|----------|----------|
| Protection class                                            | IP67 DIN EN 60529                                                                                                               |          |          |          |
| Operating temperature min.                                  | -40 °C                                                                                                                          |          |          |          |
| Max. operating temperature                                  | 85 °C                                                                                                                           |          |          |          |
| Min. storage temperature                                    | -40 °C                                                                                                                          |          |          |          |
| Max. storage temperature                                    | 105 °C                                                                                                                          |          |          |          |
| Shock resistance (Norm)                                     | 500 m/s <sup>2</sup> ;; 100 shocks per axis, DIN EN 60068-2-27                                                                  |          |          |          |
| Vibration resistance (Norm)                                 | Sine Vibration: 100 m/s <sup>2</sup> ;; 19h, DIN EN 60068-2-6 Random Vibration: 80,1 m/s <sup>2</sup> ;; 24h, DIN EN 60068-2-64 |          |          |          |
| Impact resistance (Norm)                                    | max. 50 g                                                                                                                       | max. 50g |          |          |
| EMC Agricultural and forestry machines (Norm)               | DIN EN ISO 14982<br>pulse 5b: max. voltage 65 V (absolute), functional status C for pulse 1 and 4                               |          |          |          |
| EMC Earth-moving and building construction machinery (Norm) | DIN EN ISO 13766-1<br>pulse "load dump": max. voltage 65 V (absolute)                                                           |          |          |          |
| EMC Industrial trucks (Norm)                                | DIN EN 12895                                                                                                                    |          |          |          |

## Installation

| Attribute                   | N5ACJ... | N5ACJB... | N5ACO... | N5ACOB... | N5ECJ... | N5ECJB... ▶ |
|-----------------------------|----------|-----------|----------|-----------|----------|-------------|
| Torque for fastening screws | 6 N m    |           |          |           |          |             |
| Weight                      | 100 g    |           |          |           |          |             |

## Installation

| Attribute                   | N5ECO... | N5ECOB... | N5GCJ... | N5GCO... | N5ICJ... | N5ICO... ▶ |
|-----------------------------|----------|-----------|----------|----------|----------|------------|
| Torque for fastening screws | 6 N m    |           |          |          |          |            |
| Weight                      | 100 g    |           |          |          |          |            |

## Installation

| Attribute                   | N5KCJ... | N5KCO... | N5LCJ... | N5LCO... |
|-----------------------------|----------|----------|----------|----------|
| Torque for fastening screws | 6 N m    |          |          |          |
| Weight                      | 100 g    |          |          |          |

## Connection

| Attribute  | N5ACJ...       | N5ACJB... | N5ACO... | N5ACOB... | N5ECJ... | N5ECJB... ▶ |
|------------|----------------|-----------|----------|-----------|----------|-------------|
| Connection | Deutsch 8-pol. |           |          |           |          |             |

## Connection

| Attribute  | N5ECO...       | N5ECOB... | N5GCJ...     | N5GCO... | N5ICJ... | N5ICO... ▶ |
|------------|----------------|-----------|--------------|----------|----------|------------|
| Connection | Deutsch 8-pol. |           | M12x1 5-pol. |          |          |            |

## Connection

| Attribute  | N5KCJ...        | N5KCO... | N5LCJ... | N5LCO... |
|------------|-----------------|----------|----------|----------|
| Connection | 2 x M12x1 5pol. |          |          |          |

## Approvals

| Attribute | N5ACJ... | N5ACJB... | N5ACO... | N5ACOB... | N5ECJ... | N5ECJB... ▶ |
|-----------|----------|-----------|----------|-----------|----------|-------------|
| CE label  | yes      |           |          |           |          |             |

## Approvals

| Attribute | N5ECO... | N5ECOB... | N5GCJ... | N5GCO... | N5ICJ... | N5ICO... ▶ |
|-----------|----------|-----------|----------|----------|----------|------------|
| CE label  | yes      |           |          |          |          |            |

## Approvals

| Attribute | N5KCJ... | N5KCO... | N5LCJ... | N5LCO... |
|-----------|----------|----------|----------|----------|
| CE label  | yes      |          |          |          |