

Dust collector SFK-09

Rectangular type

1. Features

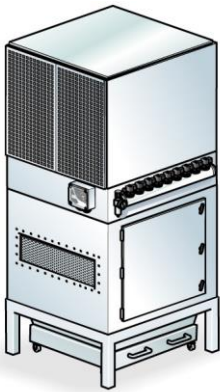
This unit is manufactured from sturdy steel sheets. The individual housing parts are assembled from bended metal segments that are bolted together and sealed with silicone-free seals.

Characteristics

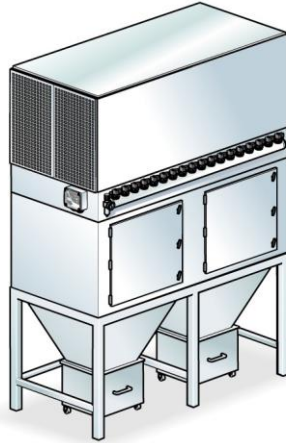
- Compact, space-saving design
- Easy to maintain
- Low noise level
- Efficient, energy-saving cleaning with compressed air by means of Filtration Group Multijet nozzle
- Volume flow range 1800 to 32400 m³/h
- Filter surfaces 48 to 540 m²
- Cartridges changed on the dirt air side
- Worldwide distribution



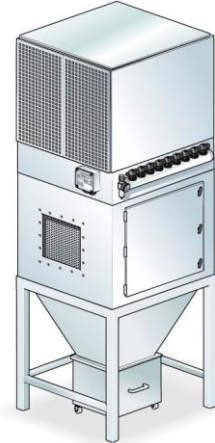
2. Versions



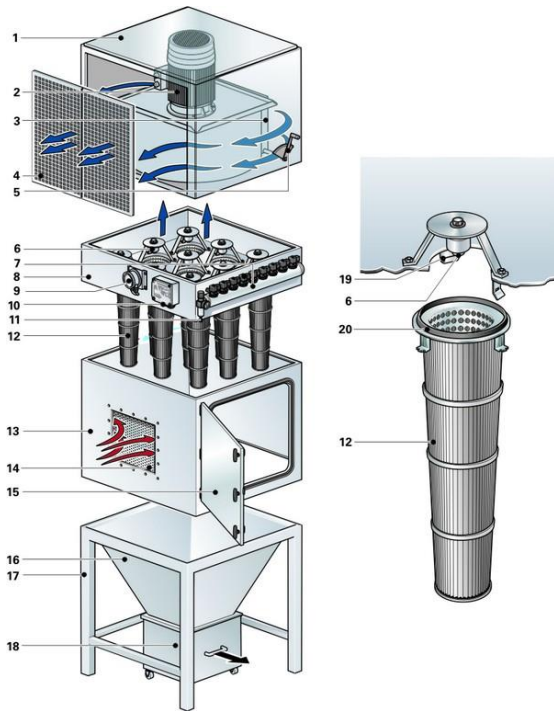
S3, with dust drawer



S1, with dust bucket



3. Modules and accessories



1	Acoustic hood
2	Fan
3	Lamella valve for volume flow (optional)
4	Blow-out grid
5	Lever for lamella valve for volume flow (optional)
6	Cleaning unit (rotating wing)
7	Pressure vessel with membrane valves
8	Clean air section
9	Differential pressure gauge (optional)
10	Filter controller
11	Pressure reducer
12	Cartridge
13	Dirt air section
14	Dirt air inlet with baffle plate
15	Maintenance door
16	Dust collector hopper
17	Rack
18	Dust bucket
19	Fastening for cartridge
20	Seal

4. Funktional description

The dust-laden air flows into the side of the filter housing (13). The perforated baffle plate (14) in the inlet region assures a uniform flow distribution and enables coarse particles to be pre-separated. As it flows through the cartridge (12), fine dust is separated on the surface. The filter cake is cleaned off at fixed intervals, depending on the dust load and the filter surface load. The detached dust drops down through the hopper (16) and is collected in the bucket (18). The cleaned air flows into the clean air section (8) and is discharged via the blow-out grid (4). The fully automatic compressed air cleaning system comprises a pressure vessel with membrane valves (7), an electronic Δp controller (10) and the cleaning units (6).

5. Technical Data

Dust collector

Housing material:	1.0037 (DIN EN 10025)
Surface protection:	EPS powder coating, RAL 7035 light grey
Max. operating pressure:	- 50 mbar
Max. operating temperature:	50 °C without acoustic hood 40 °C with acoustic hood
Dust collector capacity*:	Type S1: 50 l Type S3: 200 l
Maintenance doors:	Sizes 010x1 and 020x16: 1 St. Sizes 024x16 and 029x16: 2 St. Type 852 032 Ti ...** (328 NKQ data sheet)

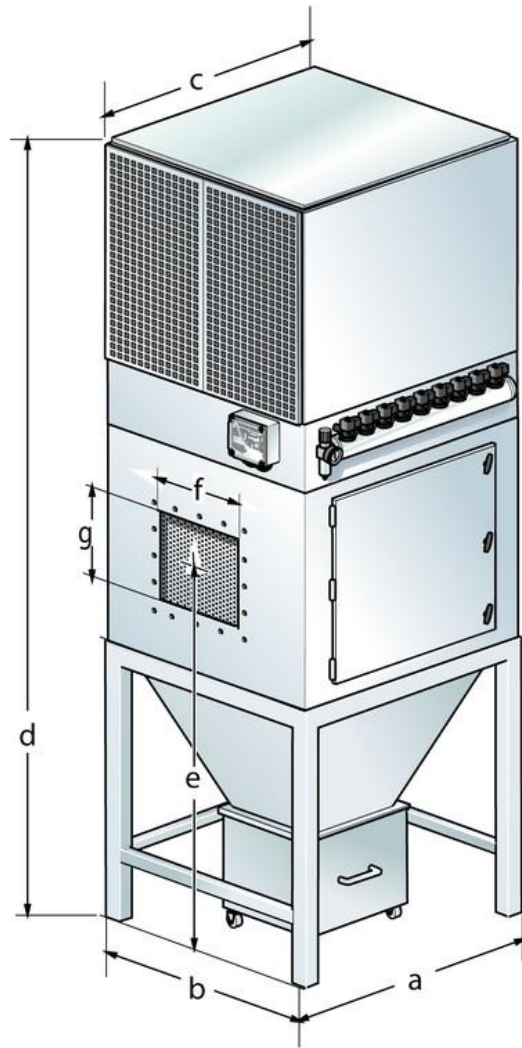
Cartridges

Cleaning

Cleaning system:	Filtration Group multijet nozzle
Medium:	Oil, dust and condensate-free compressed air at operating temperature
Compressed air connection:	G½ female
Max. air pressure:	6 bar
Compressed air consumption*:	approx. 60 l to 70 l (fad.) per cleaning cycle
Pulse duration:	0.2 s
Controller:	Δp controlled (MFS-05 dp data sheet)
Valves:	Electric membrane valves

* According to version

** Filter material depending on application



6. Dimensions

Dust collector						Dimensions [mm]					
Type designation	Volume flow* [m³/h]	No. of cartridges	Size	Type of construction	Weight** [kg]	a	b	c	d	e	fxg
SFK-09 004 010x10 S1...	1800 - 7200	4	010x10	S1	800	1015	1015	1100	3636	1500	300x300
SFK-09 004 010x10 S3...				S3	780				3356	1220	
SFK-09 009 016x16 S1...	4050 - 16200	9	016x16	S1	1630	1615	1615	1600	4567	2130	450x450
SFK-09 009 016x16 S3...				S3	1470				3786	1349	
SFK-09 012 020x16 S1...	5400 - 21600	12	020x16	S1	2090	2035	1615	2020	4567	2130	600x600
SFK-09 012 020x16 S3...				S3	1940				3786	1349	
SFK-09 015 024x16 S1...	6750 - 27000	15	024x16	S1	2410	2455	1615	2440	4567	2130	2x450x450
SFK-09 015 024x16 S3...				S3	2180				3786	1349	
SFK-09 018 029x16 S1...	8100 - 32400	18	029x16	S1	2780	2875	1615	2860	4567	2130	2x450x450
SFK-09 018 029x16 S3...				S3	2520				3786	1349	

* These values may vary depending on the nature of the dust, the composition of the air and the filter media.

** Weight with fan and acoustic hood. These values may vary depending on the size of the fan.

Technical data is subject to change without notice!

7. Ordering example

Basic unit				Optional equipment	
Type	No. of cartridges	Size	Version	Dust bucket	Dust drawer
SFK-09	018	016 x 16	S1		
			S3		

8. Design

Please contact us for detailed technical information, any open questions and for general expert advice. Completion of the relevant questionnaire would facilitate in the coordination of all important parameters.

Comprehensive documentation on our product range, cleaning units and elements can be provided. For more information about installation and operation, please refer to our Instruction Manual.

Filtration Group GmbH
Schleifbachweg 45
D-74613 Öhringen
Phone +49 7941 6466-0
Fax +49 7941 6466-429
fm.de.sales@filtrationgroup.com
www.fluid.filtrationgroup.com
70354357.04/2019