

SK3

WITH CONICAL CLAMPING SYSTEM

5 - 2,800 Nm



PROPERTIES

MATERIAL

- ▶ **Bellows:** high grade stainless steel
- ▶ **Clutch system:** hardened steel
- ▶ **Clamping hubs / bushings:** steel

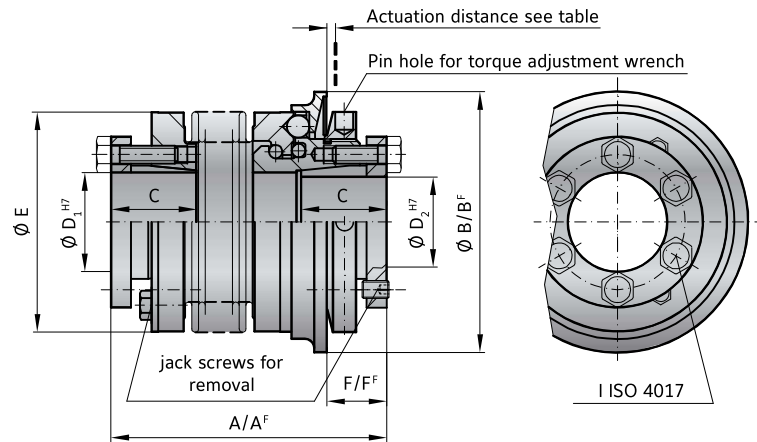
Operable temperature range from -30 to +100° C.

DESIGN

Two conical clamping assemblies with six tightening screws each, plus jack screws for removal. Clutch system: spring loaded ball-detent principle.

AVAILABLE FUNCTION SYSTEMS

- ▶ W = Single position / automatic re-engagement (standard)
- ▶ D = Multi-position / automatic re-engagement
- ▶ G = Load holding / load blocking
- ▶ F = Full disengagement / manual re-engagement



MODEL SK3

SIZE		15	30	60	150	200	300	500	800	1500	2500							
Adjustment range available from (approx. values) (Nm)	T_{KN}	5-10 or 8-20	10-25 or 20-40	10-30 or 25-80	20-70 or 45-150 80-200	30-90 or 60-160 140-280	100-200 or 150-240 220-400	80-200 or 200-350 300-500	400-650 or 500-800 600-900	650-850 or 700-1200 1000-1800	1500-2000 or 2000-2500 2300-2800							
Adjustment range available from (approx. values) ("F" Version) (Nm)	T_{KN}	7-15	8-20 or 16-30	20-40 or 30-60	20-60 or 40-80 80-150	80-140 or 130-200	120-180 or 160-300	60-150 or 100-300 250-500	200-400 or 450-800	1000-1250 or 1250-1500	1400-2200 or 1800-2700							
Overall length ±2 (mm)	A	62 69	72 80	84 94	93 105	99 111	114 128	123 136	151	175	246							
Overall length ("F" Version) ±2 (mm)	A ^F	62 69	72 80	84 94	93 105	102 114	117 131	127 140	151	184	252							
Actuation ring Ø (mm)	B	55	65	73	92	99	120	135	152	174	243							
Actuation ring Ø ("F" Version) (mm)	B ^F	62	70	83	98	117	132	155	177	187	258							
Clamping fit length (mm)	C	19	22	27	32	32	41	41	49	61	80							
Inside diameter from Ø to Ø H7 (mm)	D ₁ /D ₂	10-22	12-23	12-29	15-37	20-44	25-56	25-60	30-60	35-70	50-100							
Outside diameter of coupling (mm)	E	49	55	66	81	90	110	123	133	157	200							
Distance (mm)	F	13	16	18	19	19	23	25	31	30	34							
Distance ("F" Version) (mm)	F ^F	13	14	17	18	17	20	22	20	26	31							
6x Screw ISO 4017	I	M4	M5	M5	M6	M6	M8	M8	M10	M12	M16							
Tightening torque (Nm)	I	4	6	8	12	14	18	25	40	70	120							
Approx. weight (kg)		0.3	0.4	1.2	2.3	3.0	5.0	6.5	9.0	16.3	35							
Moment of inertia (10 ⁻³ kgm ²)	J _{ges}	0.10 0.15	0.28 0.30	0.75 0.80	1.90 2.00	2.80 3.00	5.50 6.00	11.0 12.8	20	42	257							
Torsional stiffness (10 ³ Nm/rad)	C _t	20 15	39 28	76 55	175 110	191 140	420 350	510 500	780	1304	3400							
Lateral	max. values	0.15	0.20	0.20	0.25	0.20	0.25	0.25	0.30	0.30	0.35							
Angular		1	1.5	1	1.5	1	1.5	1	1.5	2	2	2.5						
Lateral spring stiffness		475	137	900	270	1200	380	1550	435	2040	610	3750	1050	2500	840	2000	3600	6070
Actuation distance		1.5	1.5	1.7	1.9	2.2	2.2	2.2	2.2	2.2	3	3						

A^F. B^F. L^F = Full disengagement / manual re-engagement version (F) Larger versions available upon request.

ORDERING EXAMPLE	SK3 SK5	60	84	D	16	19.05	25	10-30	XX
Model	●								
Size		●							
Overall length mm			●						
Function system				●					
Bore D1 H7					●				
Bore D2 H7						●			
Disengagement torque Nm							●		
Torque adjustment range Nm								●	

For custom features place an XX at the end of the part number and describe the special requirements (e.g. SK3 / 60 / 84 / D / 16 / 19.05 / 25 / 10-30 / XX; XX=special 30 deg re-engagement angle)