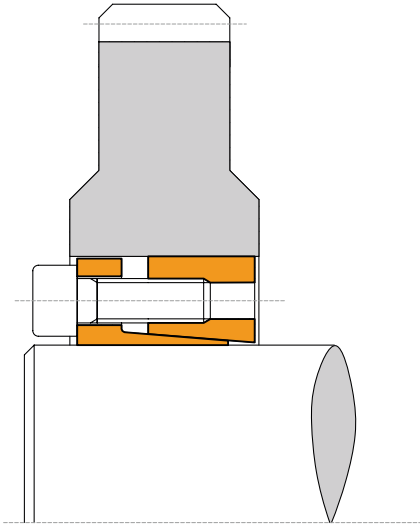


Locking assembly - Self-centering

# TLK 132



## Characteristics

- Medium-high torque
- Application economically advantageous
- Limited installation time
- Interchangeable with TLK 200

## Installation

Carefully clean the hub and shaft contact surfaces and apply a light oil film. Slide the locking assembly into the hub bore, insert the shaft and tighten gradually and regularly in crossed sequence all screws to reach the tightening torque  $M_s$  as indicated in the table.

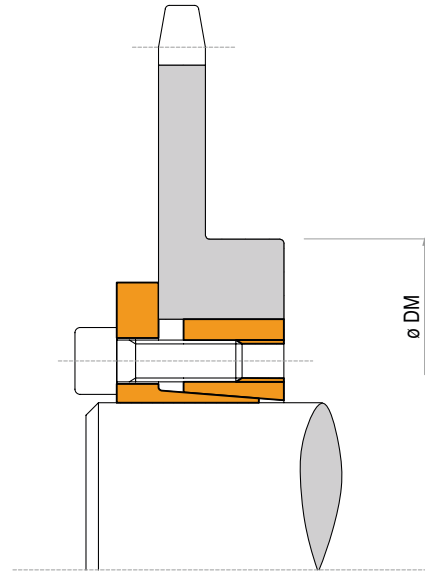
The values  $M_t$  and  $F_{ax}$  indicated in the table are valid only in case of oil installation. Do not use any oil **with molybdenum bisulphide** or high pressure additives and not grease. Above substances notably reduce the friction coefficient.

## Dismantling

Loosen the clamping screws. Insert the screws into the dismantling threading and tighten gradually and regularly in crossed sequence until the back cone is released. If the element is to be reused, relubricate both screws and threads.

Locking assembly - Self-centering

# TLK 133



## Tolerances, surface finish

A good surface finish by the machine tool is sufficient.  
Maximum allowable surface finish:  
Rt max 16  $\mu\text{m}$  (Ra 3  $\mu\text{m}$  - Rz 13  $\mu\text{m}$ )

Maximum permissible tolerances:

h8 for shaft

H8 for hub

## Axial movement

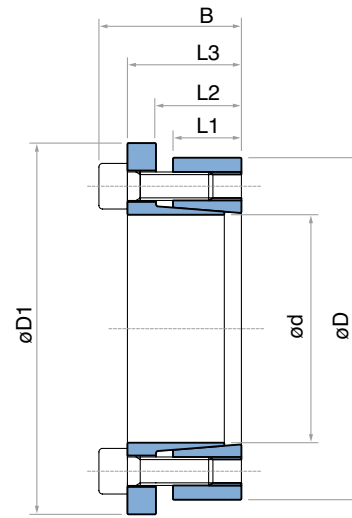
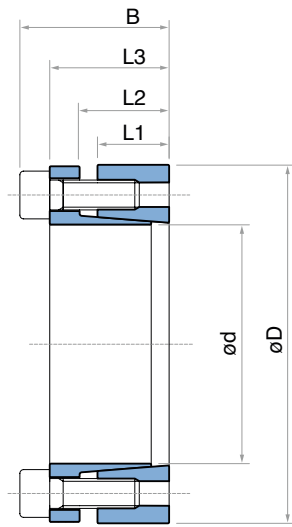
TLK 132: during screws tightening the hub has a slight axial movement with respect to the shaft.

TLK 133: during screws tightening the hub has no axial movement with respect to the shaft.

## DM hub calculation

The pressure  $P_n$  in the hub can be compared to the inside pressure on a thick hollow cylinder.

For DM calculation see page 46.



TLK 132 - TLK 133 DIMENSIONS

| Dimensions |       |       |       |      | Only TLK 133 | Tightening screws |                             | TLK 132                     |                   |                      |                                  |        | TLK 133 |             |                                  |     |        |                   |
|------------|-------|-------|-------|------|--------------|-------------------|-----------------------------|-----------------------------|-------------------|----------------------|----------------------------------|--------|---------|-------------|----------------------------------|-----|--------|-------------------|
|            |       |       |       |      |              | DIN912 12.9       | Tightening torque           | Torque                      | Axial force       | Surface pressures on |                                  | Weight | Torque  | Axial force | Surface pressures on             |     | Weight |                   |
| d x D mm   | L1 mm | L2 mm | L3 mm | B mm | D1 mm        | N° x Type         | M <sub>s</sub> (Nm) TLK 132 | M <sub>s</sub> (Nm) TLK 133 | M <sub>t</sub> Nm | F <sub>ax</sub> KN   | P <sub>w</sub> N/mm <sup>2</sup> |        |         |             | P <sub>n</sub> N/mm <sup>2</sup> | Kg  |        | M <sub>t</sub> Nm |
| 18 x 47    | 17    | 22    | 28    | 34   | 53           | 5 x M6            | 14                          | 17                          | 330               | 38                   | 326                              | 125    | 0,35    | 250         | 28                               | 246 | 94     | 0,3               |
| 19 x 47    | 17    | 22    | 28    | 34   | 53           | 5 x M6            | 14                          | 17                          | 350               | 38                   | 308                              | 125    | 0,3     | 270         | 28                               | 233 | 94     | 0,3               |
| 20 x 47    | 17    | 22    | 28    | 34   | 53           | 6 x M6            | 14                          | 17                          | 450               | 45                   | 352                              | 150    | 0,3     | 340         | 34                               | 266 | 113    | 0,3               |
| 22 x 47    | 17    | 22    | 28    | 34   | 53           | 6 x M6            | 14                          | 17                          | 490               | 45                   | 320                              | 150    | 0,3     | 370         | 34                               | 242 | 113    | 0,3               |
| 24 x 50    | 17    | 22    | 28    | 34   | 56           | 6 x M6            | 14                          | 17                          | 540               | 45                   | 293                              | 141    | 0,3     | 400         | 34                               | 222 | 106    | 0,3               |
| 25 x 50    | 17    | 22    | 28    | 34   | 56           | 6 x M6            | 14                          | 17                          | 560               | 45                   | 281                              | 141    | 0,3     | 420         | 34                               | 213 | 106    | 0,3               |
| 28 x 55    | 17    | 22    | 28    | 34   | 61           | 6 x M6            | 14                          | 17                          | 630               | 45                   | 251                              | 128    | 0,4     | 470         | 34                               | 190 | 97     | 0,4               |
| 30 x 55    | 17    | 22    | 28    | 34   | 61           | 6 x M6            | 14                          | 17                          | 670               | 45                   | 234                              | 128    | 0,3     | 510         | 34                               | 177 | 97     | 0,4               |
| 32 x 60    | 17    | 22    | 28    | 34   | 67           | 8 x M6            | 14                          | 17                          | 960               | 60                   | 293                              | 156    | 0,4     | 720         | 45                               | 222 | 118    | 0,4               |
| 35 x 60    | 17    | 22    | 28    | 34   | 67           | 8 x M6            | 14                          | 17                          | 1050              | 60                   | 268                              | 156    | 0,4     | 790         | 45                               | 203 | 118    | 0,4               |
| 38 x 65    | 17    | 22    | 28    | 34   | 72           | 8 x M6            | 14                          | 17                          | 1140              | 60                   | 247                              | 144    | 0,4     | 860         | 45                               | 187 | 109    | 0,5               |
| 40 x 65    | 17    | 22    | 28    | 34   | 72           | 8 x M6            | 14                          | 17                          | 1200              | 60                   | 234                              | 144    | 0,4     | 900         | 45                               | 177 | 109    | 0,5               |
| 42 x 75    | 20    | 25    | 33    | 41   | 82           | 8 x M8            | 35                          | 41                          | 2410              | 115                  | 363                              | 204    | 0,8     | 1760        | 84                               | 265 | 149    | 0,8               |
| 45 x 75    | 20    | 25    | 33    | 41   | 82           | 8 x M8            | 35                          | 41                          | 2580              | 115                  | 339                              | 204    | 0,6     | 1890        | 84                               | 248 | 149    | 0,7               |
| 48 x 80    | 20    | 25    | 33    | 41   | 87           | 8 x M8            | 35                          | 41                          | 2760              | 115                  | 318                              | 191    | 0,8     | 2010        | 84                               | 232 | 139    | 0,8               |
| 50 x 80    | 20    | 25    | 33    | 41   | 87           | 8 x M8            | 35                          | 41                          | 2870              | 115                  | 305                              | 191    | 0,8     | 2100        | 84                               | 223 | 139    | 0,8               |
| 55 x 85    | 20    | 25    | 33    | 41   | 92           | 8 x M8            | 35                          | 41                          | 3160              | 115                  | 278                              | 180    | 0,8     | 2310        | 84                               | 203 | 131    | 0,9               |
| 60 x 90    | 20    | 25    | 33    | 41   | 97           | 8 x M8            | 35                          | 41                          | 3450              | 115                  | 254                              | 170    | 0,8     | 2520        | 84                               | 186 | 124    | 0,9               |
| 65 x 95    | 20    | 25    | 33    | 41   | 102          | 9 x M8            | 35                          | 41                          | 4200              | 129                  | 264                              | 181    | 0,9     | 3070        | 95                               | 193 | 132    | 1                 |
| 70 x 110   | 24    | 30    | 40    | 50   | 117          | 8 x M10           | 70                          | 83                          | 6300              | 181                  | 285                              | 181    | 1,8     | 4670        | 133                              | 211 | 134    | 1,9               |
| 75 x 115   | 24    | 30    | 40    | 50   | 122          | 8 x M10           | 70                          | 83                          | 6750              | 181                  | 266                              | 173    | 1,8     | 5000        | 133                              | 197 | 128    | 2                 |
| 80 x 120   | 24    | 30    | 40    | 50   | 127          | 8 x M10           | 70                          | 83                          | 7200              | 181                  | 249                              | 166    | 1,8     | 5330        | 133                              | 184 | 123    | 2                 |
| 85 x 125   | 24    | 30    | 40    | 50   | 132          | 10 x M10          | 70                          | 83                          | 9600              | 226                  | 293                              | 200    | 2       | 7080        | 167                              | 217 | 147    | 2                 |
| 90 x 130   | 24    | 30    | 40    | 50   | 137          | 10 x M10          | 70                          | 83                          | 10150             | 226                  | 277                              | 192    | 2,1     | 7500        | 167                              | 205 | 142    | 2,2               |
| 95 x 135   | 24    | 30    | 40    | 50   | 142          | 10 x M10          | 70                          | 83                          | 10700             | 226                  | 263                              | 185    | 2,1     | 7920        | 167                              | 194 | 137    | 2,3               |
| 100 x 145  | 26    | 32    | 44    | 56   | 152          | 8 x M12           | 125                         | 145                         | 13450             | 269                  | 274                              | 189    | 2,8     | 9710        | 194                              | 198 | 137    | 3                 |
| 110 x 155  | 26    | 32    | 44    | 56   | 162          | 8 x M12           | 125                         | 145                         | 14750             | 269                  | 249                              | 177    | 3       | 10700       | 194                              | 180 | 128    | 3,2               |
| 120 x 165  | 26    | 32    | 44    | 56   | 172          | 9 x M12           | 125                         | 145                         | 18150             | 302                  | 257                              | 187    | 3,2     | 13100       | 219                              | 186 | 135    | 3,4               |
| 130 x 180  | 34    | 40    | 54    | 66   | 187          | 12 x M12          | 125                         | 145                         | 26200             | 403                  | 242                              | 175    | 4,8     | 18950       | 291                              | 175 | 126    | 5,2               |
| 140 x 190  | 34    | 40    | 54    | 68   | 197          | 9 x M14           | 190                         | 230                         | 27800             | 397                  | 221                              | 163    | 5,2     | 21000       | 300                              | 167 | 123    | 5,4               |
| 150 x 200  | 34    | 40    | 54    | 68   | 207          | 10 x M14          | 190                         | 230                         | 33100             | 442                  | 230                              | 172    | 5,4     | 25000       | 333                              | 173 | 130    | 5,7               |
| 160 x 210  | 34    | 40    | 54    | 68   | 217          | 12 x M14          | 190                         | 230                         | 42400             | 530                  | 258                              | 197    | 5,7     | 32000       | 400                              | 195 | 149    | 6                 |
| 170 x 225  | 44    | 50    | 64    | 78   | 232          | 12 x M14          | 190                         | 230                         | 45050             | 530                  | 188                              | 142    | 8       | 34000       | 400                              | 142 | 107    | 8,3               |
| 180 x 235  | 44    | 50    | 64    | 78   | 242          | 12 x M14          | 190                         | 230                         | 47700             | 530                  | 177                              | 136    | 8,3     | 36000       | 400                              | 134 | 103    | 8,8               |
| 190 x 250  | 44    | 50    | 64    | 78   | 257          | 15 x M14          | 190                         | 230                         | 62900             | 662                  | 210                              | 160    | 9,6     | 47500       | 500                              | 159 | 121    | 10                |
| 200 x 260  | 44    | 50    | 64    | 78   | 267          | 15 x M14          | 190                         | 230                         | 66250             | 662                  | 200                              | 154    | 10      | 50000       | 500                              | 151 | 116    | 10,5              |

For larger diameter or inch series please contact us.

NOTE: it is possible to reduce the screws tightening torque down to 60% of the values indicated in above table; as a result M<sub>t</sub>, F<sub>ass</sub>, P<sub>w</sub>, P<sub>n</sub> are reduced proportionally.