

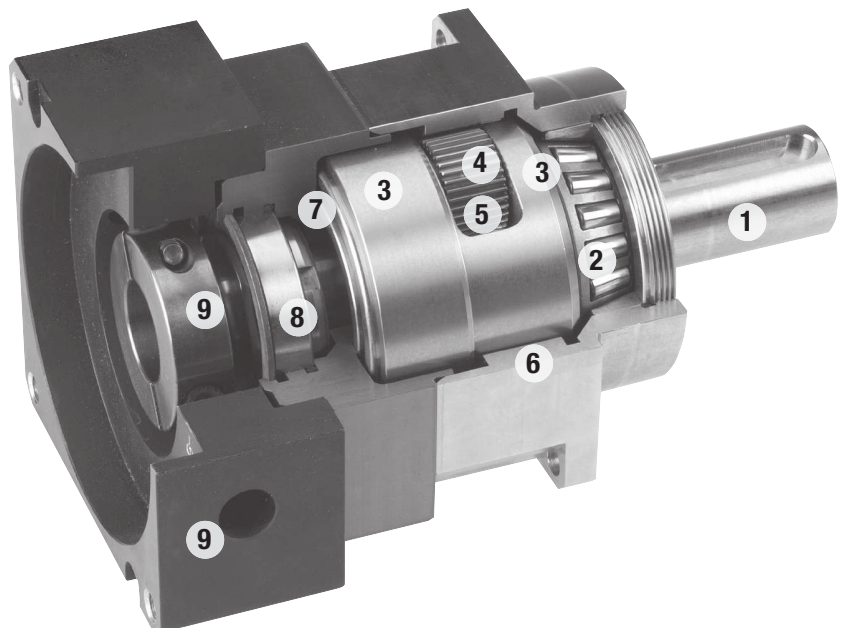
Micron TRUE Planetary® Gearheads

EverTRUE™ Continuous Duty

True Planetary Gearheads

| Ready for Immediate Delivery | |
|------------------------------|---------------------------|
| Precision | 4 arc-minutes |
| Frame Sizes | 100 mm, 140 mm and 180 mm |
| Torque Capacity | up to 1017 Nm |
| Ratio Availability | 4:1 thru 100:1 |
| Radial load capacity | up to 44600 N |
| Mounting System | RediMount™ |

- 1 **Single-piece output shaft with** straddle mount bearing for increased stiffness
- 2 **High-capacity, tapered roller bearings**
- 3 **Double full complement needle bearings** for continuous operation
- 4 **Gears lubricated with** continuous duty grease
- 5 **True Planetary Gearing** optimized for continuous duty
- 6 **Single-piece output housing** with integral internal gear
- 7 **Angular contact bearing**
- 8 **Input bearing with thermal compensation** feature
- 9 **RediMount system** provides error-free installation

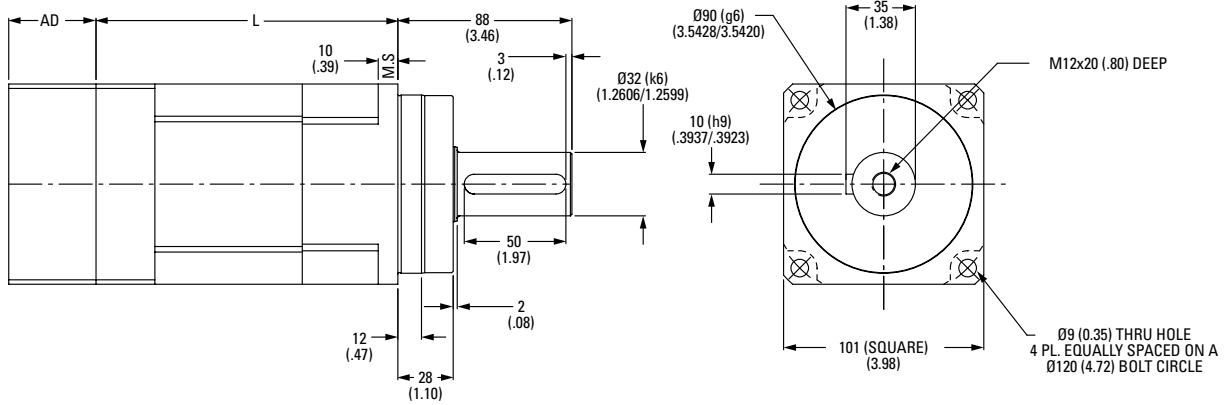


Stainless steel output housing

Micron TRUE Planetary® Gearheads

EverTRUE Size 10 Continuous Duty

True Planetary Gearheads



| Ratio ¹ | Stages | Dimension 'L' mm [in.] | Backlash [arc-min] | Weight kg [lb.] | Efficiency |
|--------------------|--------|---------------------------|-----------------------|--------------------|------------|
| 4:1 to 10:1 | 1 | 78 [3.07] | 4 max | 6 [13] | 95% |
| 16:1 to 100:1 | 2 | 146 [5.75] | 5 max | 8 [18] | 90% |

All dimensions are in mm (in.)
 AD** = Adapter length
 Adapter length will vary depending on motor.
 Efficiency is calculated at 100% of the rated torque.

Performance Specifications

| Part Number | Ratio ¹ | Intermittent (Trc) Nm [in.-lb.] | 30000 Hour Life | | | T _{peak} Nm [in.-lb.] | J kg-cm ² [in.-lb.-sec ² x10 ⁻⁴] | Torsional Stiffness Nm/arc-min [in.-lb./arc-min] |
|-------------|--------------------|---------------------------------------|--|--|--|-----------------------------------|--|---|
| | | | T _r (1000 rpm) Nm [in.-lb.] | T _r (3000 rpm) Nm [in.-lb.] | T _r (5000 rpm) Nm [in.-lb.] | | | |
| ET010-004 | 4:1 | 171 [1514] | 147 [1303] | 106 [937] | 91 [804] | 463 [4093] | 1,50 [13.3] | 28,27 [250] |
| ET010-005 | 5:1 | 178 [1579] | 144 [1272] | 110 [977] | 95 [838] | 451 [3991] | 1,29 [11.5] | 25,08 [222] |
| ET010-007 | 7:1 | 190 [1684] | 137 [1217] | 118 [1042] | 101 [893] | 433 [3830] | 0,92 [8.1] | 23,21 [205] |
| ET010-010 | 10:1 | 106 [940] | 77 [677] | 66 [581] | 61 [539] | 411 [3640] | 0,86 [7.6] | 15,84 [140] |
| ET010-016 | 16:1 | 245 [2166] | 164 [1450] | 151 [1340] | 138 [1218] | 517 [4577] | 1,05 [9.2] | 30,03 [267] |
| ET010-020 | 20:1 | 249 [2205] | 166 [1470] | 154 [1364] | 147 [1303] | 524 [4637] | 1,05 [9.2] | 26,73 [237] |
| ET010-025 | 25:1 | 242 [2140] | 161 [1421] | 150 [1324] | 14 [127] | 506 [4477] | 1,05 [9.2] | 26,73 [237] |
| ET010-028 | 28:1 | 255 [2261] | 169 [1499] | 158 [1399] | 152 [1345] | 533 [4718] | 0,89 [7.9] | 23,21 [205] |
| ET010-035 | 35:1 | 248 [2191] | 164 [1448] | 153 [1355] | 148 [1306] | 514 [4549] | 0,75 [6.7] | 22,99 [204] |
| ET010-040 | 40:1 | 262 [2316] | 173 [1528] | 162 [1433] | 156 [1383] | 542 [4794] | 0,75 [6.7] | 30,14 [267] |
| ET010-050 | 50:1 | 253 [2243] | 167 [1475] | 157 [1387] | 152 [1341] | 521 [4615] | 0,74 [6.6] | 26,51 [235] |
| ET010-070 | 70:1 | 241 [2131] | 158 [1396] | 149 [1318] | 144 [1277] | 491 [4349] | 0,74 [6.6] | 23,21 [205] |
| ET010-100 | 100:1 | 144 [1277] | 102 [902] | 89 [790] | 84 [741] | 459 [4059] | 0,74 [6.6] | 18,92 [168] |

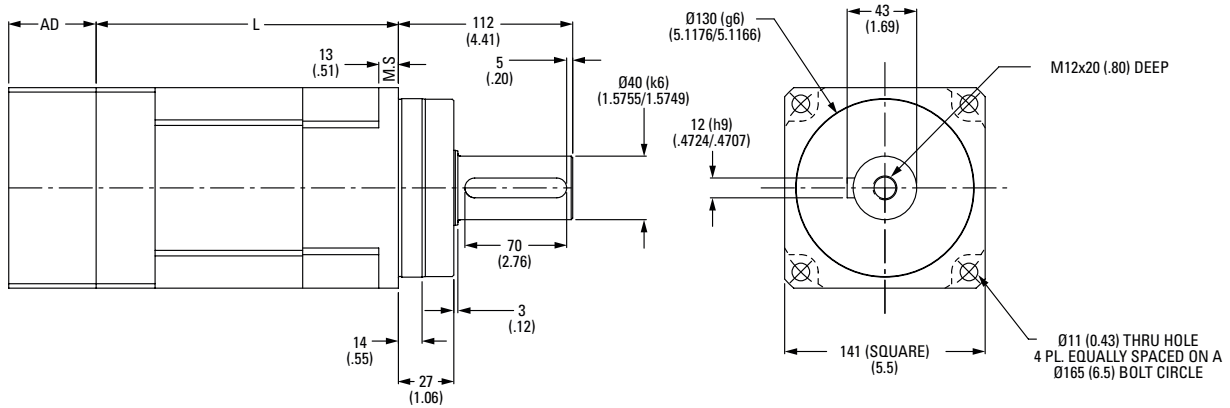
¹ Ratios are exact, higher ratios are also available, consult factory.
 T_r = Rated output torque at rated speed for specific hours of life.
 T_{rc} = Rated output torque for intermittent operation at 3,000 RPM
 (20,000 hr life - for catalog comparison)

T_{peak} = Allowable momentary peak torque for emergency stop or heavy shock loading.
 J = Mass moment of inertia reflected to the input shaft (including pinion assembly).

Micron TRUE Planetary® Gearheads

EverTRUE™ Size 14 Continuous Duty

True Planetary Gearheads



| Ratio ¹ | Stages | Dimension 'L' mm [in.] | Backlash [arc-min] | Weight kg [lb.] | Efficiency |
|--------------------|--------|---------------------------|-----------------------|--------------------|------------|
| 4:1 to 10:1 | 1 | 110,5 [4.35] | 4 max | 14 [31] | 95% |
| 16:1 to 100:1 | 2 | 195 [7.69] | 5 max | 18 [40] | 90% |

All dimensions are in mm (in.)
 AD** = Adapter length
 Adapter length will vary depending on motor.
 Efficiency is calculated at 100% of the rated torque.

Performance Specifications

| Part Number | Ratio ¹ | Intermittent (Trc) Nm [in.-lb.] | 30000 Hour Life | | | T _{peak} Nm [in.-lb.] | J kg-cm ² [in.-lb.-sec ² x10 ⁻⁴] | Torsional Stiffness Nm/arc-min [in.-lb./arc-min] |
|-------------|--------------------|---------------------------------------|--|--|--|-----------------------------------|--|---|
| | | | T _r (1000 rpm) Nm [in.-lb.] | T _r (3000 rpm) Nm [in.-lb.] | T _r (5000 rpm) Nm [in.-lb.] | | | |
| ET014-004 | 4:1 | 417 [3694] | 345 [3055] | 258 [2285] | 221 [1960] | 1066 [9431] | 6,18 [55] | 60,50 [536] |
| ET014-005 | 5:1 | 435 [3849] | 336 [2972] | 269 [2381] | 231 [2042] | 1040 [9206] | 4,77 [42] | 56,10 [497] |
| ET014-007 | 7:1 | 464 [4105] | 322 [2849] | 287 [2539] | 246 [2179] | 1002 [8866] | 3,61 [32] | 51,70 [458] |
| ET014-010 | 10:1 | 253 [2237] | 183 [1618] | 156 [1384] | 145 [1279] | 956 [8459] | 3,22 [29] | 38,50 [341] |
| ET014-016 | 16:1 | 573 [5070] | 386 [3413] | 354 [3136] | 336 [2971] | 1206 [10674] | 4,00 [35] | 63,80 [565] |
| ET014-020 | 20:1 | 584 [5168] | 391 [3463] | 361 [3197] | 345 [3055] | 1224 [10832] | 3,87 [34] | 59,40 [526] |
| ET014-025 | 25:1 | 567 [5016] | 378 [3347] | 351 [3103] | 336 [2972] | 1182 [10463] | 3,87 [34] | 59,40 [526] |
| ET014-028 | 28:1 | 600 [5309] | 399 [3535] | 371 [3284] | 356 [3150] | 1248 [11047] | 3,35 [30] | 51,70 [458] |
| ET014-035 | 35:1 | 581 [5145] | 386 [3415] | 360 [3182] | 346 [3059] | 1204 [10653] | 2,84 [25] | 48,40 [428] |
| ET014-040 | 40:1 | 616 [5448] | 408 [3608] | 381 [3370] | 367 [3245] | 1271 [11248] | 2,84 [25] | 63,80 [565] |
| ET014-050 | 50:1 | 596 [5274] | 393 [3482] | 369 [3262] | 356 [3146] | 1224 [10831] | 2,71 [24] | 59,40 [526] |
| ET014-070 | 70:1 | 567 [5019] | 373 [3299] | 351 [3104] | 339 [3002] | 1155 [10223] | 2,71 [24] | 53,90 [478] |
| ET014-100 | 100:1 | 346 [3058] | 245 [2164] | 214 [1892] | 200 [1772] | 1081 [9564] | 2,71 [24] | 38,50 [341] |

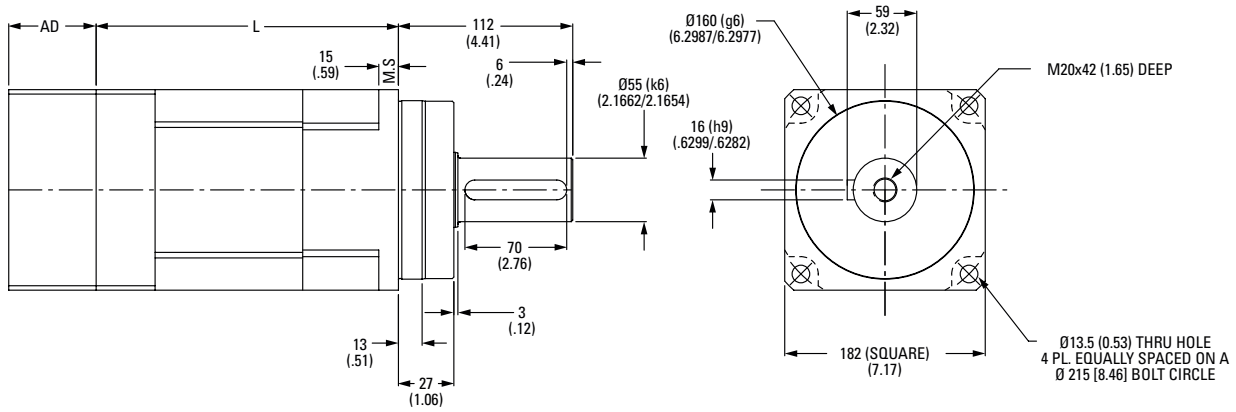
¹ Ratios are exact, higher ratios are also available, consult factory.
 T_r = Rated output torque at rated speed for specific hours of life.
 T_{rc} = Rated output torque for intermittent operation at 3,000 RPM
 (20,000 hr life - for catalog comparison)

T_{peak} = Allowable momentary peak torque for emergency stop or heavy shock loading.
 J = Mass moment of inertia reflected to the input shaft (including pinion assembly).

Micron TRUE Planetary® Gearheads

EverTRUE Size 18 Continuous Duty

True Planetary Gearheads



| Ratio ¹ | Stages | Dimension 'L' mm [in.] | Backlash [arc-min] | Weight kg [lb.] | Efficiency |
|--------------------|--------|---------------------------|-----------------------|--------------------|------------|
| 4:1 to 10:1 | 1 | 136 [5.35] | 4 max | 40 [88] | 95% |
| 16:1 to 100:1 | 2 | 241.3 [9.50] | 5 max | 45 [99] | 90% |

All dimensions are in mm (in.)
 AD** = Adapter length
 Adapter length will vary depending on motor.
 Efficiency is calculated at 100% of the rated torque.

Performance Specifications

| Part Number | Ratio ¹ | Intermittent (Trc) Nm [in.-lb.] | 30000 Hour Life | | | T _{peak} Nm [in.-lb.] | J kg-cm ² [in.-lb.-sec ² x10 ⁻⁴] | Torsional Stiffness Nm/arc-min [in.-lb./arc-min] |
|-------------|--------------------|---------------------------------------|--|--|--|-----------------------------------|--|---|
| | | | T _r (1000 rpm) Nm [in.-lb.] | T _r (3000 rpm) Nm [in.-lb.] | T _r (5000 rpm) Nm [in.-lb.] | | | |
| ET018-004 | 4:1 | 933 [8254] | 802 [7099] | 577 [5105] | 495 [4380] | 2442 [21609] | 24,61 [218] | 168,30 [1461] |
| ET018-005 | 5:1 | 972 [8602] | 782 [6923] | 601 [5321] | 516 [4565] | 2389 [21143] | 19,00 [168] | 165,00 [1461] |
| ET018-007 | 7:1 | 1037 [9174] | 752 [6652] | 641 [5675] | 550 [4868] | 2308 [20429] | 13,87 [123] | 147,40 [1306] |
| ET018-010 | 10:1 | 592 [5242] | 430 [3806] | 366 [3242] | 338 [2990] | 2210 [19561] | 12,35 [109] | 111,10 [984] |
| ET018-016 | 16:1 | 1335 [11816] | 904 [8003] | 826 [7309] | 750 [6639] | 2800 [24779] | 15,30 [136] | 177,10 [1569] |
| ET018-020 | 20:1 | 1363 [12061] | 919 [8129] | 843 [7460] | 802 [7099] | 2846 [25187] | 14,82 [131] | 171,60 [1520] |
| ET018-025 | 25:1 | 1325 [11722] | 889 [7866] | 819 [7251] | 782 [6923] | 2754 [24370] | 14,82 [131] | 144,10 [1277] |
| ET018-028 | 28:1 | 1403 [12414] | 939 [8311] | 868 [7679] | 830 [7342] | 2910 [25751] | 12,83 [114] | 151,80 [1345] |
| ET018-035 | 35:1 | 1361 [12047] | 908 [8033] | 842 [7452] | 807 [7142] | 2810 [24870] | 10,83 [96] | 136,40 [1209] |
| ET018-040 | 40:1 | 1443 [12767] | 960 [8492] | 892 [7897] | 857 [7580] | 2970 [26281] | 10,83 [96] | 177,10 [1569] |
| ET018-050 | 50:1 | 1398 [12371] | 927 [8201] | 865 [7652] | 832 [7361] | 2863 [25338] | 10,36 [92] | 171,60 [1520] |
| ET018-070 | 70:1 | 1332 [11789] | 879 [7778] | 824 [7292] | 795 [7037] | 2707 [23959] | 10,36 [92] | 151,80 [1345] |
| ET018-100 | 100:1 | 816 [7219] | 578 [5117] | 505 [4465] | 472 [4180] | 2537 [22454] | 10,36 [92] | 113,30 [1004] |

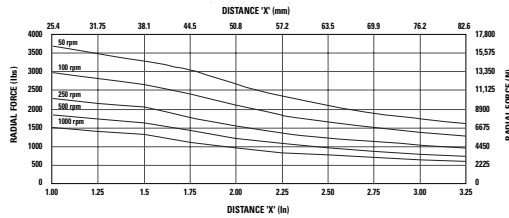
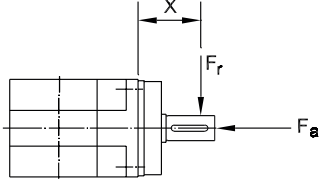
¹ Ratios are exact, higher ratios are also available, consult factory.
 T_r = Rated output torque at rated speed for specific hours of life.
 T_{rc} = Rated output torque for intermittent operation at 3,000 RPM
 (20,000 hr life - for catalog comparison)

T_{peak} = Allowable momentary peak torque for emergency stop or heavy shock loading.
 J = Mass moment of inertia reflected to the input shaft (including pinion assembly).

Micron TRUE Planetary® Gearheads

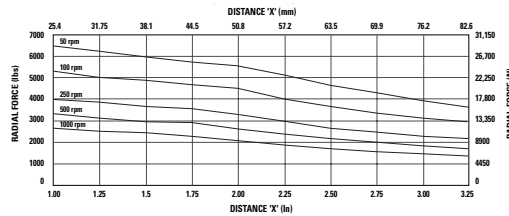
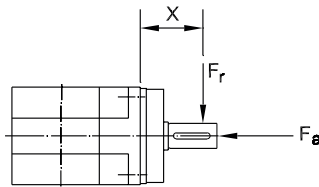
Radial and Axial Load Ratings

ET010



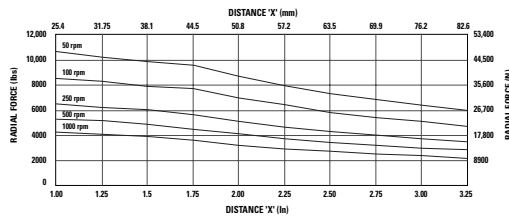
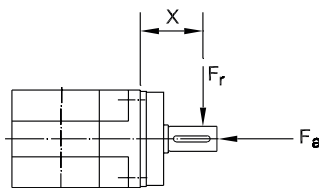
| Speed rpm | Axial Load, F_a N [lb.] |
|--------------|------------------------------|
| 50 | 13675 [3075] |
| 100 | 11107 [2497] |
| 250 | 8435 [1897] |
| 500 | 6855 [1542] |
| 1000 | 5568 [1252] |

ET014



| Speed rpm | Axial Load, F_a N [lb.] |
|--------------|------------------------------|
| 50 | 25074 [5705] |
| 100 | 20609 [4633] |
| 250 | 15657 [3520] |
| 500 | 12716 [2859] |
| 1000 | 10329 [2322] |

ET018



| Speed rpm | Axial Load, F_a N [lb.] |
|--------------|------------------------------|
| 50 | 34538 [7765] |
| 100 | 27414 [6163] |
| 250 | 20197 [4541] |
| 500 | 16034 [3605] |
| 1000 | 12726 [2861] |

These graphs display the allowable radial load at a given distance (X) from the mounting surface based on an L_{10} life of 10,000 hours for the mean output speed n_{mout} , as described on page 9.