



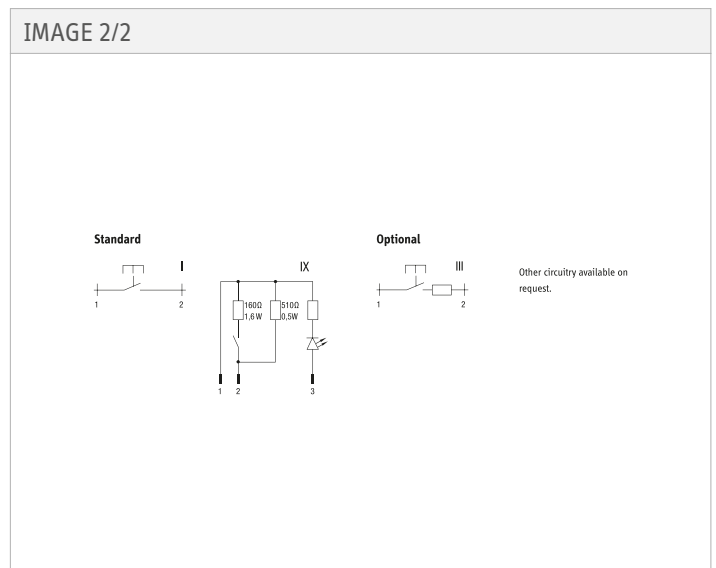
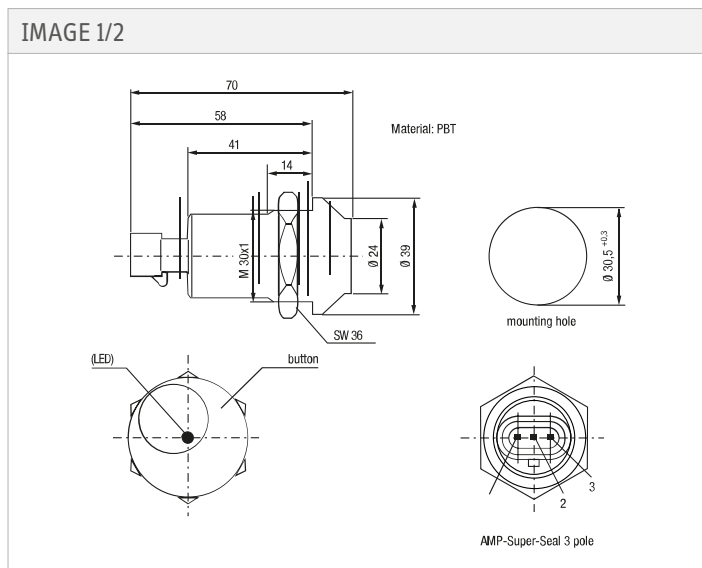
Push button switch 145...AB

This robust push button with Superseal connector is designed for applications that are exposed to adverse environmental conditions. The M30 push button switch is ideally suited for use in the automotive engineering sector, for example, for controlling hydraulic functions. The switching element, which is completely separated from the mechanics, resists dust, dirt and moisture, thanks to its IP67 protection class.

Technical specifications

- Long service life thanks to the magnetic actuation principle
- Wear-free reed contacts for low switching currents
- Developed for harsh operating conditions with internal electronics sealed to IP67 protection class
- Available with various button colours and symbols to suit the application
- Various connector types available for a wide range of uses

Technical drawing



Product options

IMAGE 1/2

Actuator colors Standard

■ RAL 1018 ■ RAL 3000
■ RAL 6017 ■ Black

Actuator colors Optional

■ RAL 2003
■ RAL 5019


Illumination colours LED Standard

■ Red

Illumination colours LED Optional

■ Green ■ Blue
■ Yellow ■ White

Optional icons for push button 145 ... AB



Additional icons according to DIN ISO 7000:2008-12 available on request.

IMAGE 2/2

ORDERING KEY

145										Push buttons		
												Circuit diagram
0	0	0	A	B								Circuit I, N.O., with AMP Superseal connector
1	0	5	A	B								Circuit IX, LED colour red, Namur with AMP Superseal connector
0	0	0	A	E								Circuit I, N.O., with Deutsch connector
1	0	5	A	E								Circuit IX, LED colour red, Namur with Deutsch connector
												Colour
								6	0			Black
								2	1			Yellow
								1	0			Green
								4	0			Red

SW36 nut included with delivery

Electrical data

Attribute	145...AB.
Max. switching voltage	48 V DC
Max. switching power	10 W
Max. switching power	10 VA

Mechanical data

Attribute	145...AB.
Service life, mechanical (Cycles)	2000000

Environmental conditions

Attribute	145...AB.
Protection class, electronic	IP67 DIN EN 60529
Operating temperature min.	-20 °C
Max. operating temperature	100 °C
Min. storage temperature	-40 °C
Max. storage temperature	100 °C

Installation

Attribute	145...AB.
Installation	from above
Mounting type	screwed

Connection

Attribute	145...AB.
Connector type	AMP-Super-Seal