



Power Take-Off Switch 151PTO

For intuitive operation, with Illumination.

Power take off switch 151PTO is a robust, intuitive push button with E-stop function. The power take off push button switch is used primarily in agricultural machinery for safely switching the front or rear PTO shaft on and off. A two-level switch-on ensures no unintended actuation.

Technical specifications

- Optionally available with function and night illumination
- Contactless switching principle through reed technology
- For standard installation openings 44 x 22 x 1.5 mm
- Additional circuitry and illuminated symbols optionally available
- Simple installation with latching detent
- Developed for harsh operating conditions with internal electronics sealed to IP67 protection class

Technical drawing

IMAGE 1/2

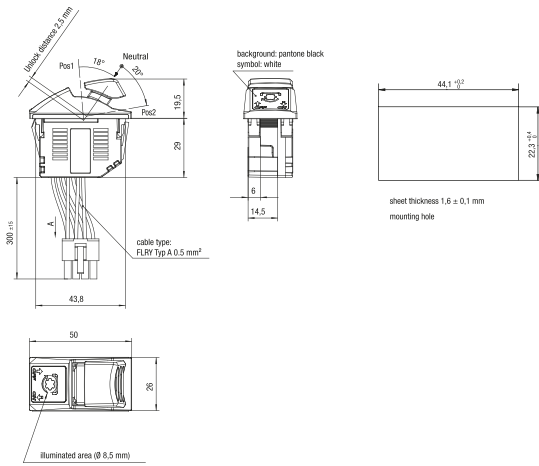
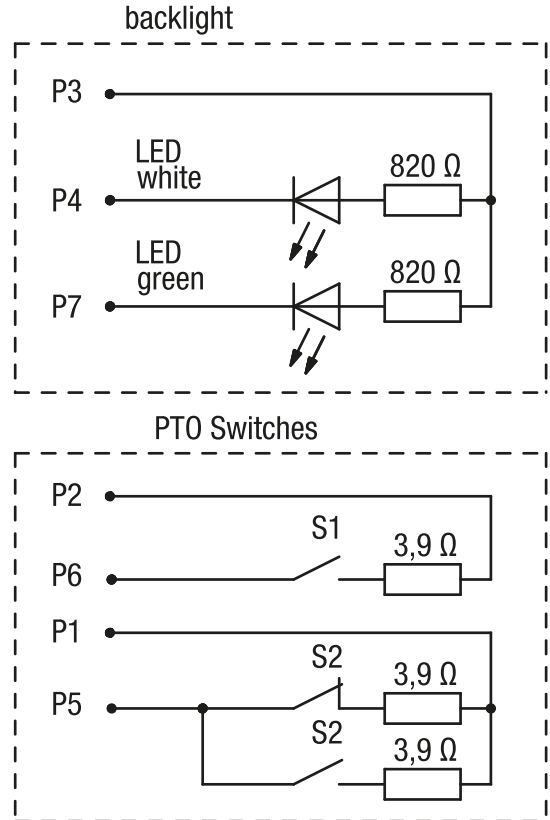


IMAGE 2/2



Electrical data

Attribute	151PT016	151PT080	151PT081	151PT079
Max. switching voltage	48 V DC			
Max. switching current	0.3 A			
Max. switching power	5 W			
Max. switching power	5 VA			
Contact form	NO			
Series resistor	3.9 Ohm			

Mechanical data

Attribute	151PT016	151PT080	151PT081	151PT079
Service life, mechanical (Cycles)	300000			

Material information

Attribute	151PT016	151PT080	151PT081	151PT079
Housing material	PA66 GF25			
Actuator/handle material	PA12 GD30			
Gaiter material	EPDM			

Environmental conditions

Attribute	151PT016	151PT080	151PT081	151PT079
Protection class, electronic	IP67 DIN EN 60529			
Operating temperature min.	-40 °C			
Max. operating temperature	85 °C			
Min. storage temperature	-40 °C			
Max. storage temperature	85 °C			

Installation

Attribute	151PT016	151PT080	151PT081	151PT079
Installation	from above			
Mounting type	inserted/latched			

Connection

Attribute	151PT016	151PT080	151PT081	151PT079
Connector type	Molex Mini-Fit 39-01-2080 8Pin			Molex Mini-Fit 39-01-2080 8Polig
Cable type	FLRY A			FLRY A
Cable length	0.3 m			300 m