

Cleaning unit RLK

for conical dust cartridges, Ø 328 mm

1. Features

The conical Filtration Group rotating wing is an extremely efficient cleaning system for dust collectors that enables the dust filter cake to be detached over the complete cartridge length. This will increase the lifetime of the filter cartridge. Based on the optimized air flow the cleaning has a very low noise level. Comparing to the multi-jet cleaning we can reduce the pressure in the pressure vessel, which gives an efficient energy operating.

In combination with Filtration Group Quick-Lock dust cartridges, the rotating wing represents an exceptionally effective and economical solution which is suitable for a wide range of applications.

Characteristics

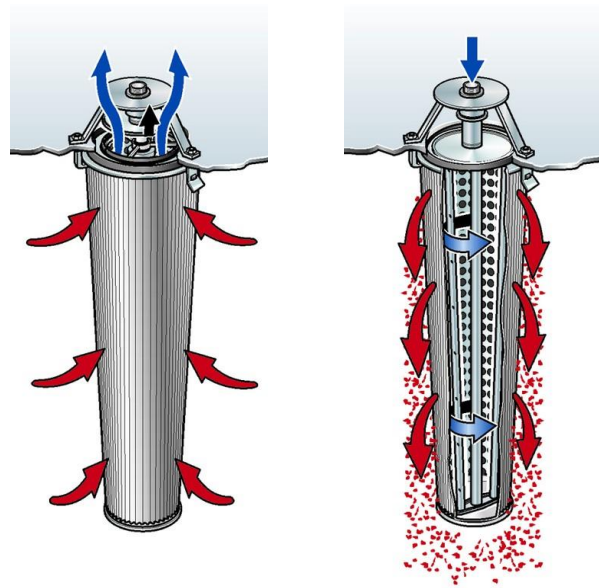
- Extremely efficient
- Uniform cleaning
- Version for the untreated gas side
- Simple installation
- Low mounting height
- Low noise level
- Minimal consumption of compressed air
- Careful cleaning of cartridges
- Low cleaning pressure
- Suitable for high differential pressure load
- Worldwide distribution



2. Function

During the filtration phase, the baffle plate is forced upwards by the flow. Dust particles are separated on the cartridge surface and a filter cake forms.

The cleaning pulse forces the baffle plate downwards and moves the cartridge out of the filtered fluid flow. At the same time, the rotating wing element is set in motion by the nozzle holes and the filter cake is detached by the fine pulsed air jets and the simultaneous vibratory movement in the cartridge pleats.



Filtration phase

Cleaning phase

3. Technical data

Cleaning unit for Quick-Lock dust cartridges with an outside diameter of 328 mm.

Materials: Aluminium, galvanized steel, polypropylene

Operating temperature: -20 °C to 50 °C

Differential pressure via filter plate: max. 30 mbar

Cleaning medium: Oil, dust and condensate-free compressed air at operating temperature

Compressed air connection: G $\frac{3}{4}$ male

Compressed air: 3 bar to 4 bar (max. 4.2 bar)

Pulse duration: 0.5 s to 3 s (standard 1.5 s)

Compressed air consumption		
Type designation	Capacity of pressure vessel [l]	Compressed air consumption per cleaning impuls [l] (fad)
RLK-3206 ROH	16	Approx. 50
RLK-3210 ROH	32	Approx. 80
RLK-3212 ROH	32	Approx. 90

Technical data is subject to change without notice!



Rotating wing during cleaning

4. Type number key and Order numbers

4.1 Type number key for cleaning units

Type of cleaning

MJD Multi-jet nozzle for conical and cylindrical cartridges

RLD Rotating wing for cylindrical cartridges

RLK Rotating wing for conical cartridges

Cartridge diameter

-12 120 mm

-16 160 mm

-32 328 mm

Cartridge length and mode of installation

00 Independent of length, installation for example via round thread or bayonet

03 300 mm, installation MJD/RLD via tie rod or RLK via Quick-Lock

06 600 mm, installation MJD/RLD via tie rod or RLK via Quick-Lock

10 1000 mm, installation MJD/RLD via tie rod or RLK via Quick-Lock

12 1200 mm, installation MJD/RLD via tie rod or RLK via Quick-Lock

Installation side of cartridge

REIN Installation on cleaned gas side

ROH Installation on untreated gas side

Versions

A1 Nozzle aluminium or galvanized or coated steel, RLD/K with ball bearing

V1 Nozzle aluminium or stainless steel, RLD with plain bearing

V2 Stainless steel, RLD with plain bearing

OS Only RLD/K with ball bearing without baffle plate, Nozzle aluminium or coated steel

RLK -32 12 ROH A1 Ordering example

4.2 Order numbers

Order number	Cleaning unit	Cartridge model designation*	Dimension L [mm]	Cartridge mounting
70363715	RLK-32 06 ROH A1	852 052 Ti ...	600	Untreated gas side
70368951	RLK-32 10 ROH A1	852 062 Ti ...	1000	
70327511	RLK-32 12 ROH A1	852 032 Ti ...	1200	

* For more information, refer to the data sheets for the 328 NK Quick-Lock.

5. Accessories

Order number	Designation
76956668	Fixing kit Quick-Lock (1 cartridge holder, 2 fixing clips, screws)
76956676	Fixing kit Quick-Lock, pack of 10

6. Installation

The conical rotating wing can be installed and removed with the cartridge on the untreated gas side with spring clips (Quick-Lock system - no tools required). The filter plate is to be prepared according Fig. 1. Afterwards the tripod with the baffle plate and the fixing kit is to mount on the filterplate. Insert the rotating wing into the cartridge (Fig. 2) and fix the centre ring (Fig. 3). Put the cartridge into the cartridge holder (Fig. 4) and snap it into the fixing clips (Fig. 5).

*1 = Cartridge holder

*2 = Fixing clip

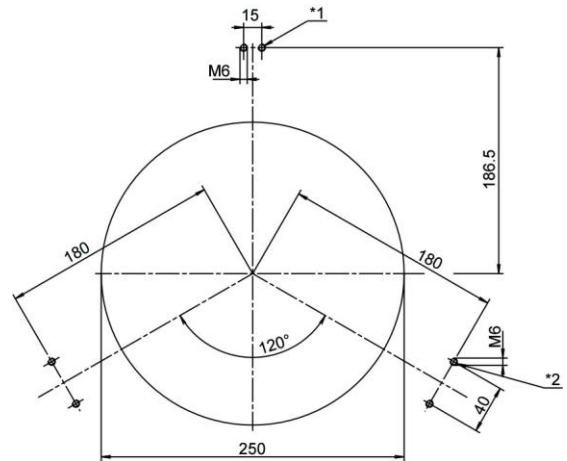


Fig. 1

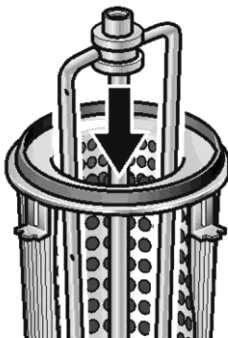


Fig. 2

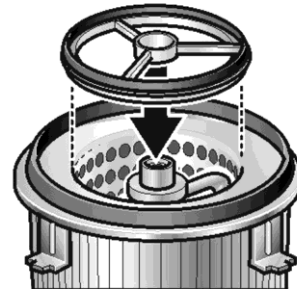


Fig. 3



Fig. 4

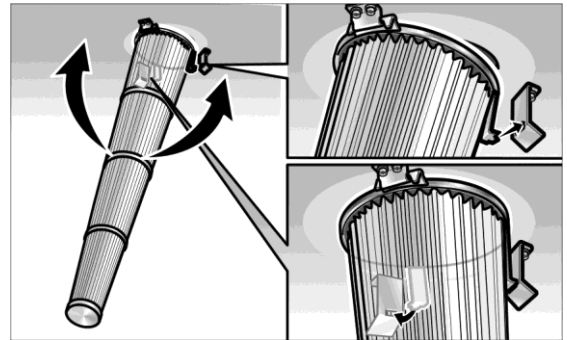


Fig. 5

7. Design

Please contact us for detailed technical information, any open questions and for general expert advice. Completion of the relevant questionnaire would facilitate in the coordination of all important parameters.

Comprehensive documentation on our product range, cleaning units and cartridges can be provided.

Filtration Group GmbH
 Schleifbachweg 45
 D-74613 Öhringen
 Phone +49 7941 6466-0
 Fax +49 7941 6466-429
 fm.de.sales@filtrationgroup.com
 www.fluid.filtrationgroup.com
 70360304.05/2019
 Cleaning unit RLK