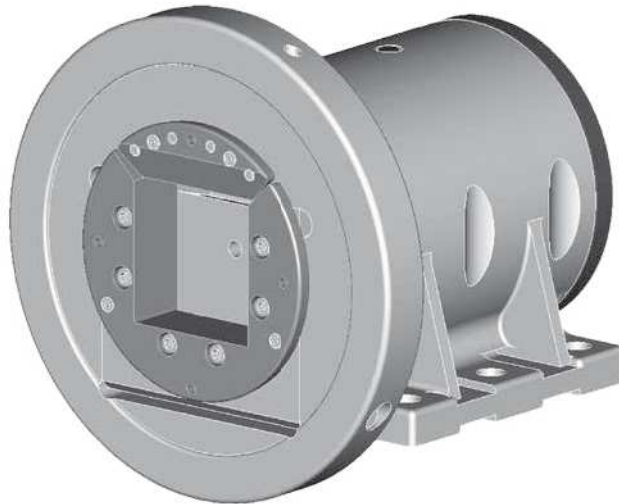


2.70 Boschert-Chuck 80-120



- 80-120 STO** *Boschert* foot mounted chuck without shaft end
80-120 STW *Boschert* foot mounted chuck with shaft end
80-120 FLO *Boschert* flange mounted chuck without shaft end
80-120 FLW *Boschert* flange mounted chuck with shaft end



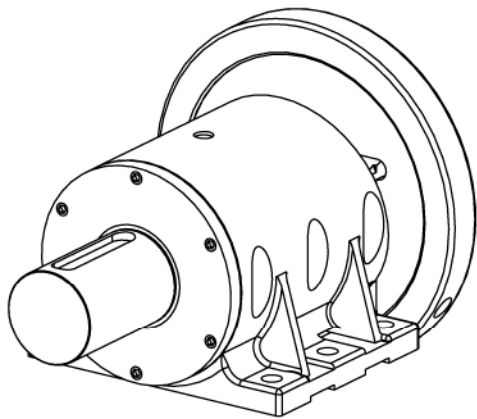
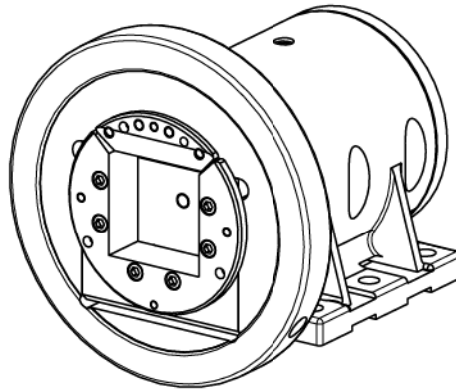
- Square bar:** □ 80 mm - 120 mm (3.1496" - 4.7244")
Standard square bar: □ 120 mm (4.744")
max. beam weight: □ 12000 kg □ (26460 lbs)
max. torque: ↻ 10000 Nm (7230 ft/lb)

| | | Info |
|---------------------|----------------------------|------|
| Type: | VT | 2.55 |
| Journal shaft type: | VT1 / VT6 | 2.73 |
| Shaft end: | per customer specification | 2.73 |

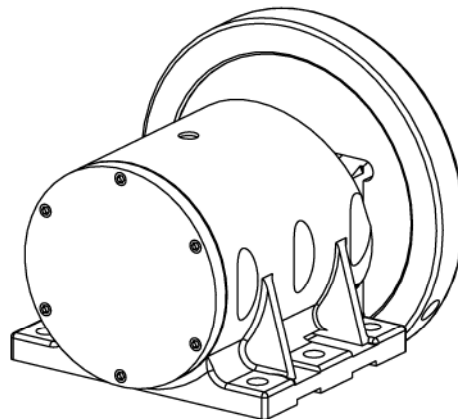
Boschert-Chuck 80-120 foot mounted



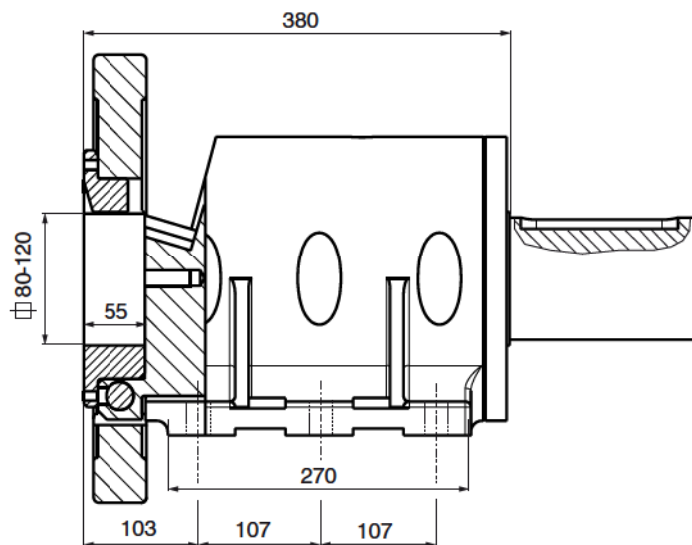
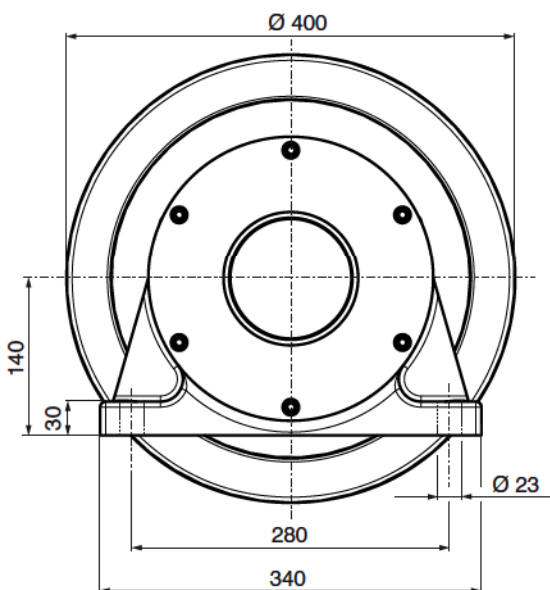
Boschert-Chuck 80-120 type VT



STW 80-120
chuck with shaft end



STO 80-120
chuck without shaft end

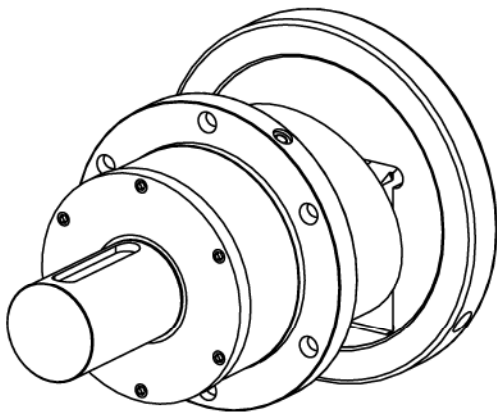
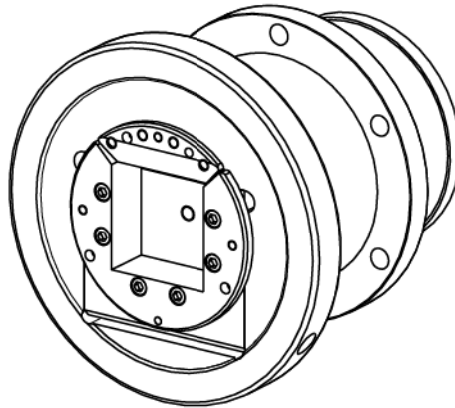


Shaft end details page 2.73

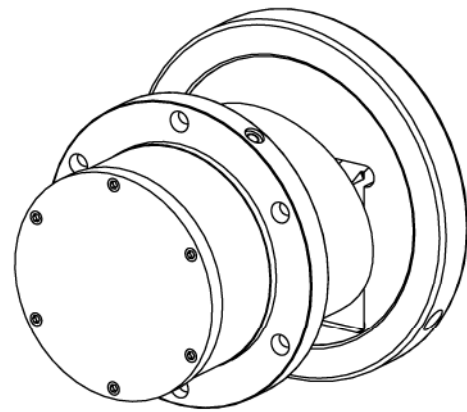
Boschert-Chuck 80-120 flange mounted



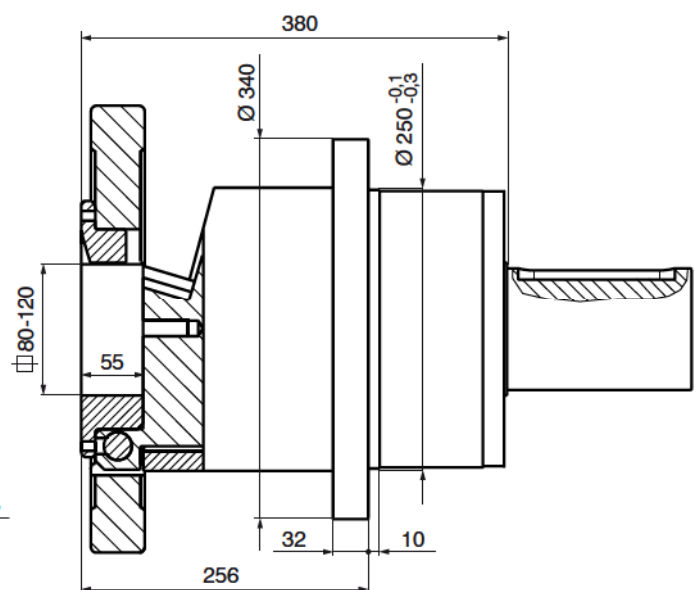
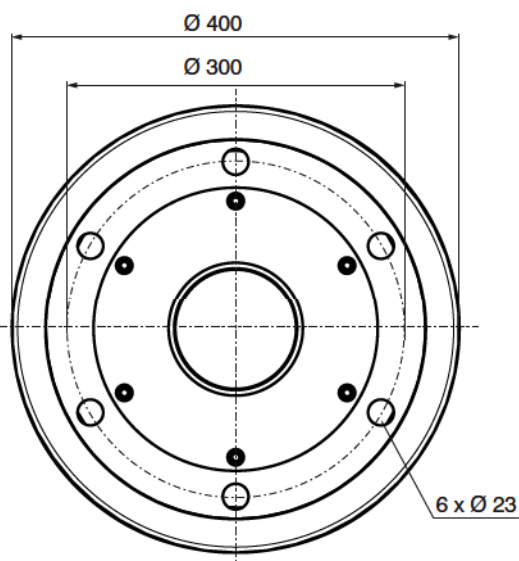
Boschert-Chuck 80-120 type VT



FLW 80-120
chuck with shaft end



FLO 80-120
chuck without shaft end

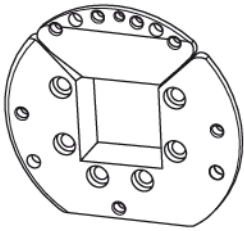


Shaft end details page 2.73

Boschert-Chuck 80-120 options

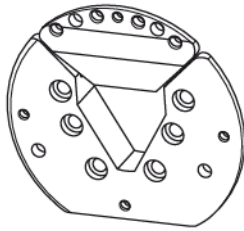


VT-insert



VT 1

Info: 11.10

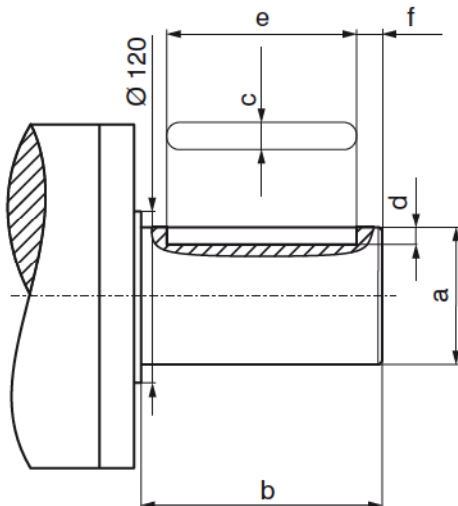


VT 6

Info: 11.11

Info
11.20

Shaft end



Max. shaft-dia.: Ø 120 mm
(special shaft without stop)

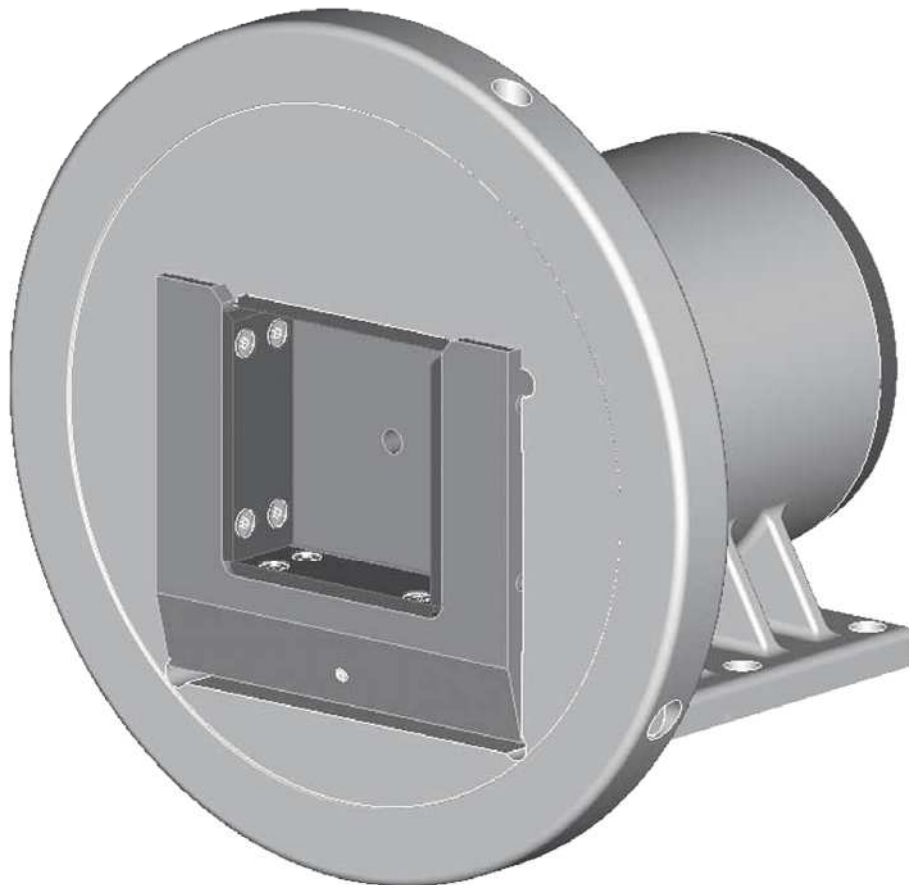
Shaft end per customer specification

| | | |
|-----|--|----|
| a = | | mm |
| b = | | mm |
| c = | | mm |
| d = | | mm |
| e = | | mm |
| f = | | mm |

**2.80 Boschert-Chuck
120-180**



- 120-180 STO** *Boschert* foot mounted chuck without shaft end
- 120-180 STW** *Boschert* foot mounted chuck with shaft end
- 120-180 FLO** *Boschert* flange mounted chuck without shaft end
- 120-180 FLW** *Boschert* flange mounted chuck with shaft end



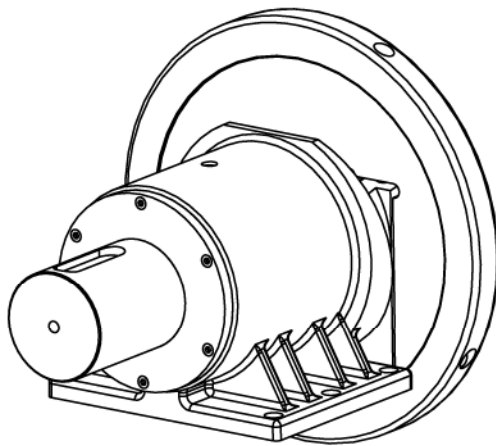
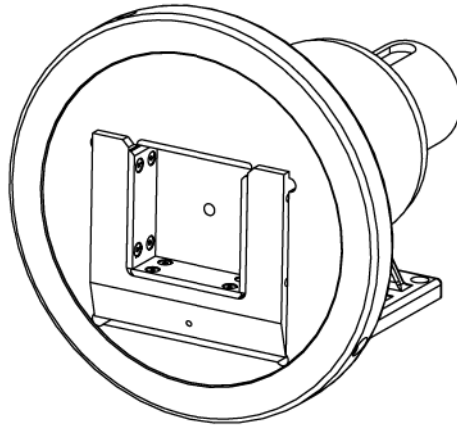
- Square bar:** □ 120 mm - 180 mm (4.7244" - 7.0866")
- Standard square bar:** □ 180 mm (7.0866")
- max. beam weight:** □ 22000 kg □ (48500 lbs)
- max. torque:** ↻ 20000 Nm (14468 ft/lb)

| | | Info |
|----------------------------|----------------------------|------|
| Journal shaft type: | square bar | |
| Shaft end: | per customer specification | 2.83 |

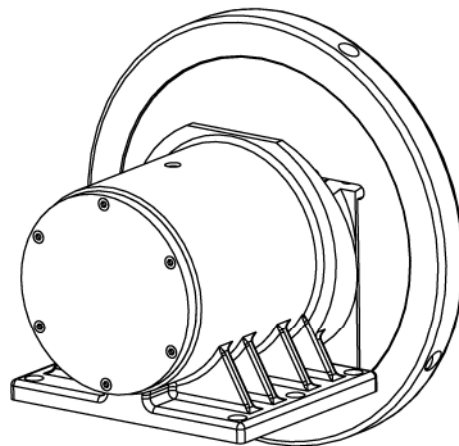
Boschert-Chuck 120-180 foot mounted



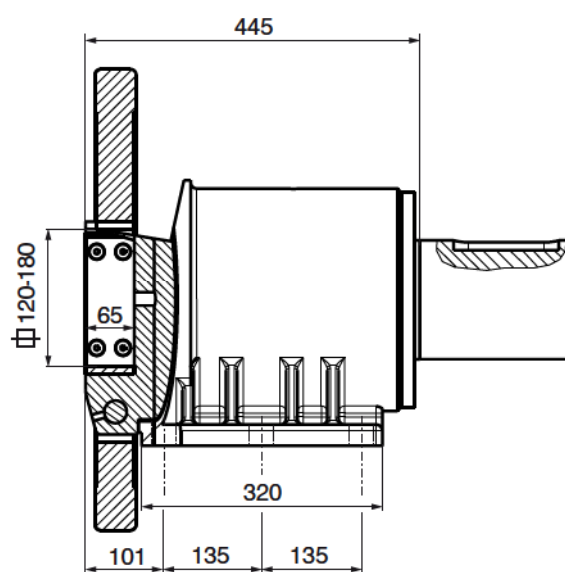
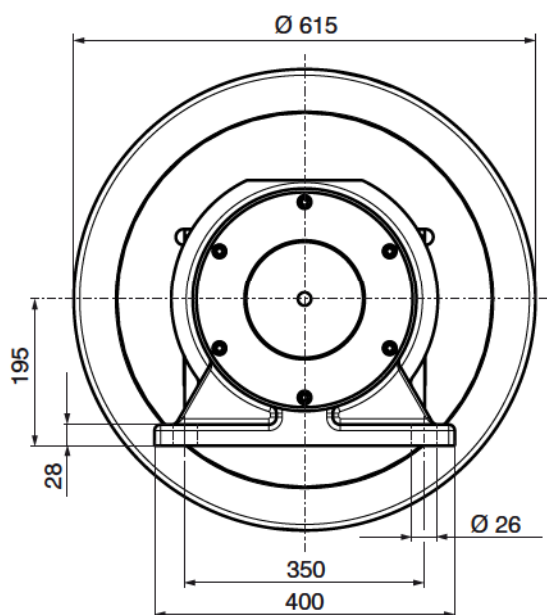
Boschert-Chuck 120-180 with wear plates



STW 120-180
chuck with shaft end



STO 120-180
chuck without shaft end



Shaft end details page 2.83

2.81

Mattenstrasse 1
D-79541 Loerrach-Hauingen

infokl@boschert.de
www.boschert.de

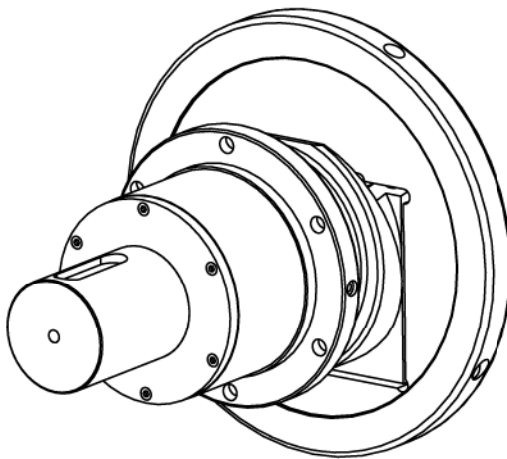
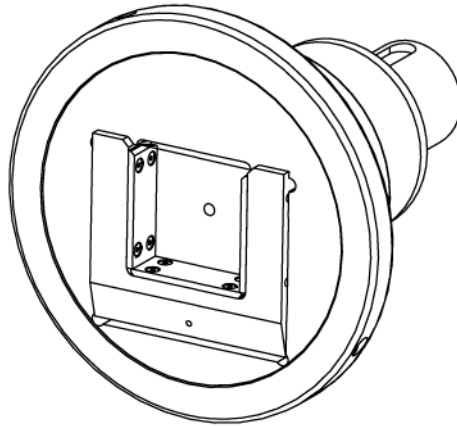
Tel.: +49 (0) 7621 / 9593 0
Fax: +49 (0) 7621 / 5518 4

Changes reserved (a)

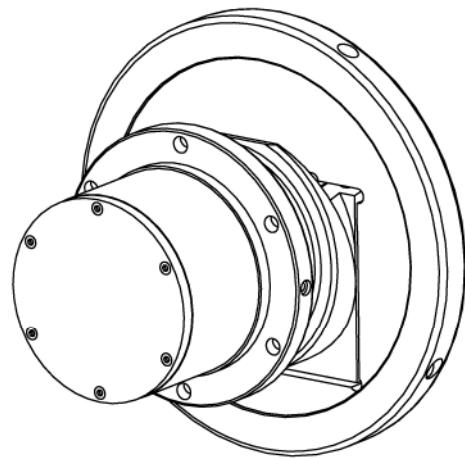
Boschert-Chuck 120-180 flange mounted



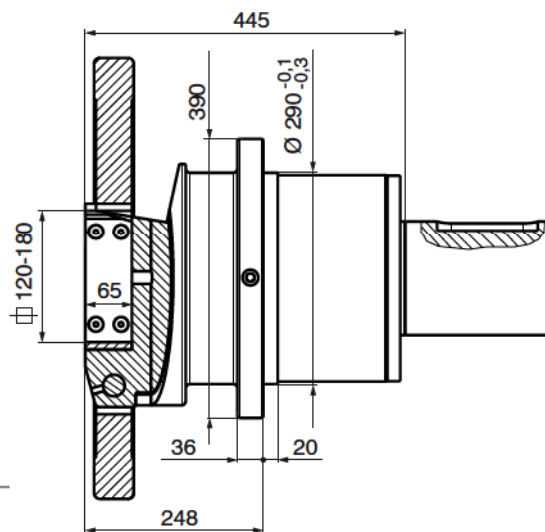
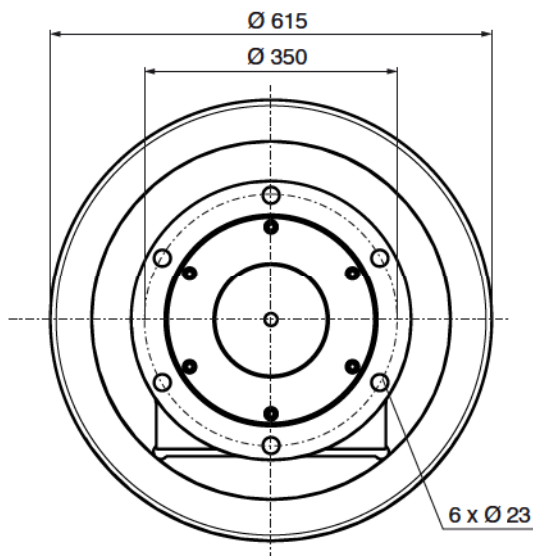
Boschert-Chuck 120-180 with wear plates



FLW 120-180
chuck with shaft end



FLO 120-180
chuck without shaft end

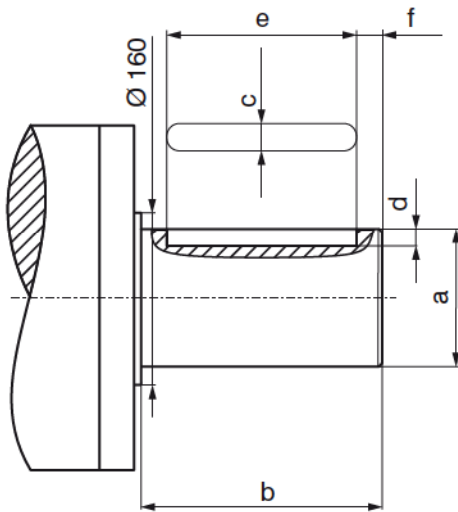


Shaft end details page 2.83

Boschert-Chuck 120-180 options



Shaft end



Max. shaft-dia.: Ø 160 mm
(special shaft without stop)

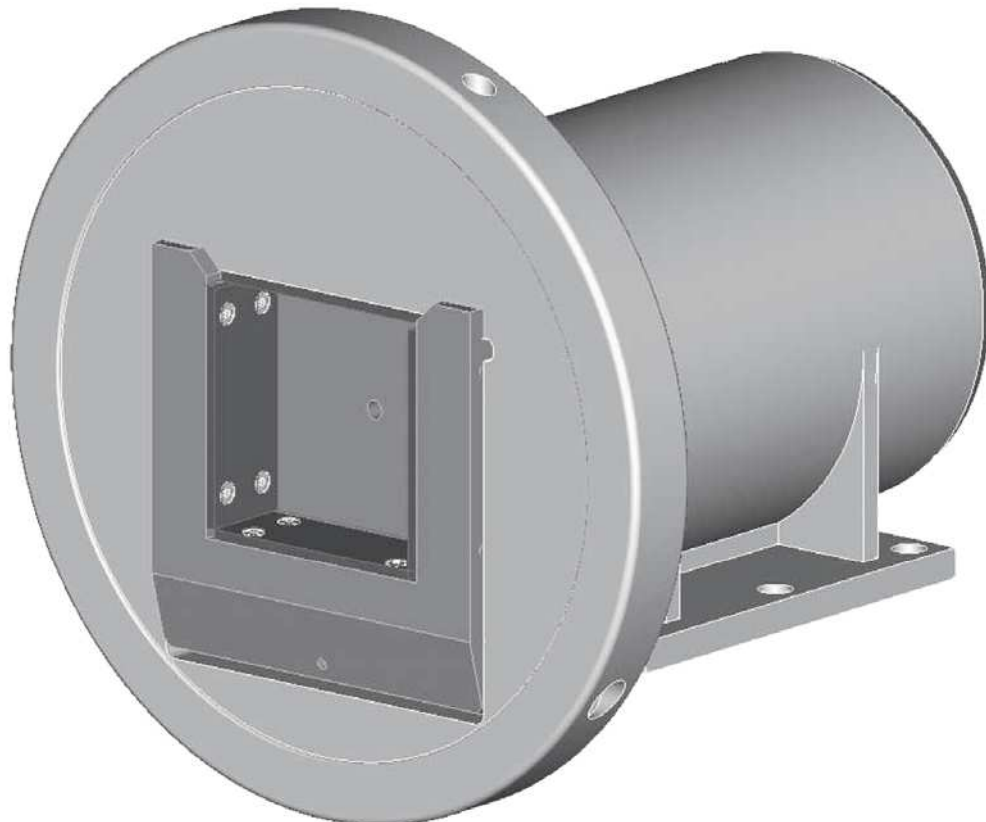
Shaft end per customer specification

| | | |
|-----|--|----|
| a = | | mm |
| b = | | mm |
| c = | | mm |
| d = | | mm |
| e = | | mm |
| f = | | mm |

2.90 Boschert-Chuck 170-230



- 170-230 STO** *Boschert* foot mounted chuck without shaft end
170-230 STW *Boschert* foot mounted chuck with shaft end
170-230 FLO *Boschert* flange mounted chuck without shaft end
170-230 FLW *Boschert* flange mounted chuck with shaft end



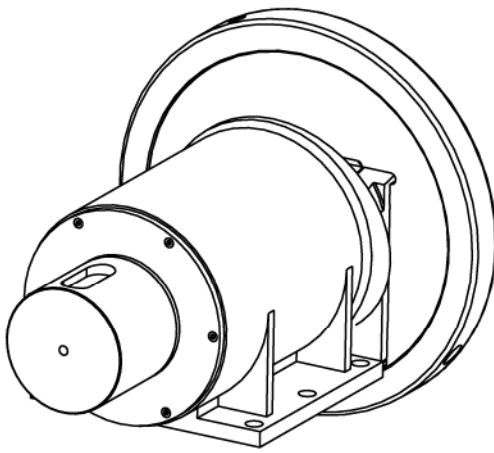
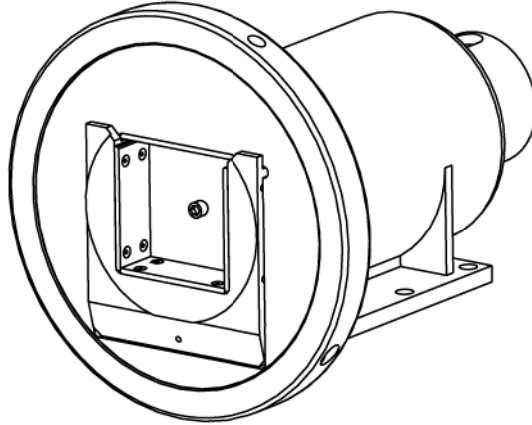
- Square bar:** □ 170 mm - 230 mm (6.6929" - 9.0551")
Standard square bar: □ 230 mm (9.551")
max. beam weight: □ 64000 kg (141090 lbs)
max. torque: ↻ 41000 Nm (29660 ft/lb)

| | | Info |
|----------------------------|----------------------------|------|
| Journal shaft type: | square bar | |
| Shaft end: | per customer specification | 2.93 |

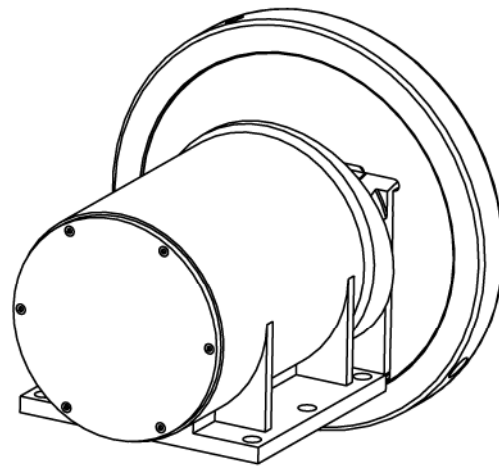
Boschert-Chuck 170-230 foot mounted



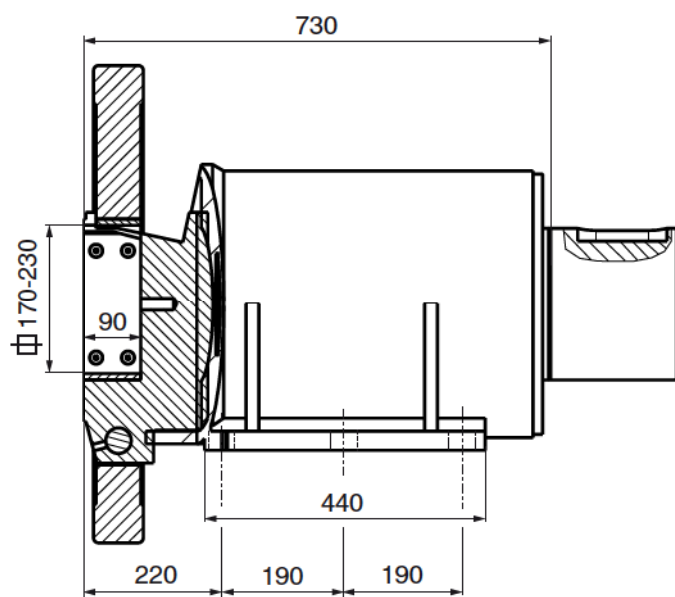
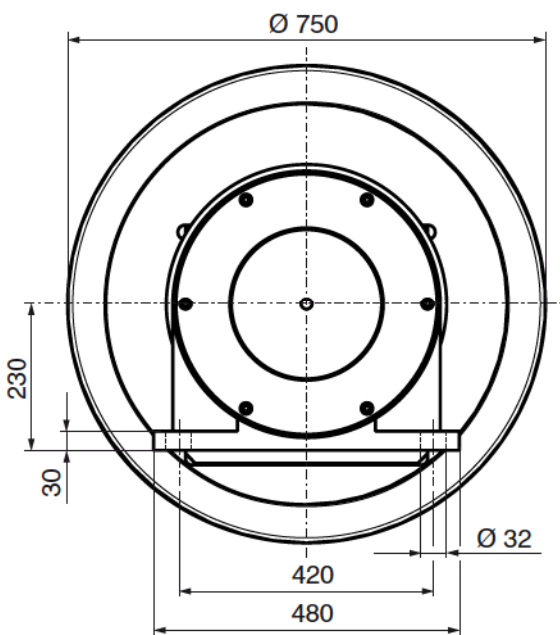
Boschert-Chuck 170-230 with wear plates



STW 170-230
chuck with shaft end



STO 170-230
chuck without shaft end

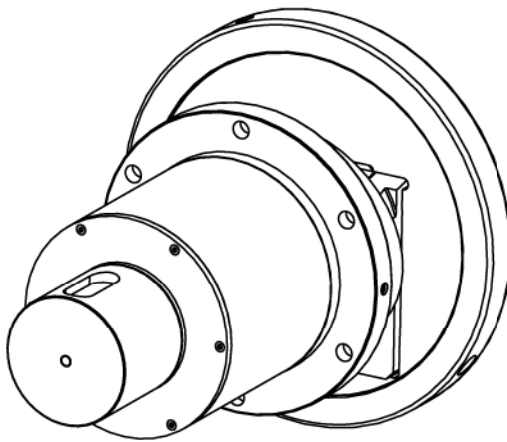
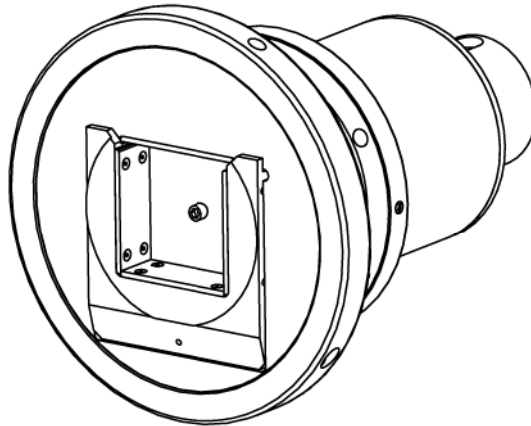


Shaft end details page 2.93

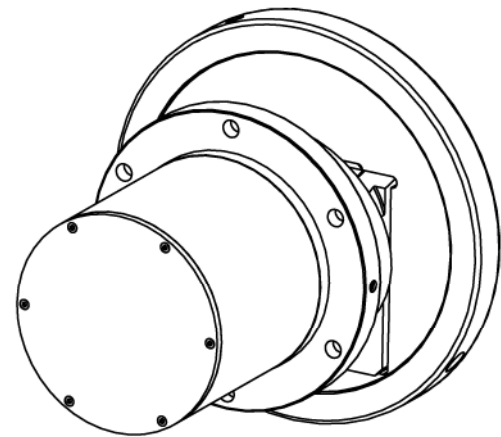
Boschert-Chuck 170-230 flange mounted



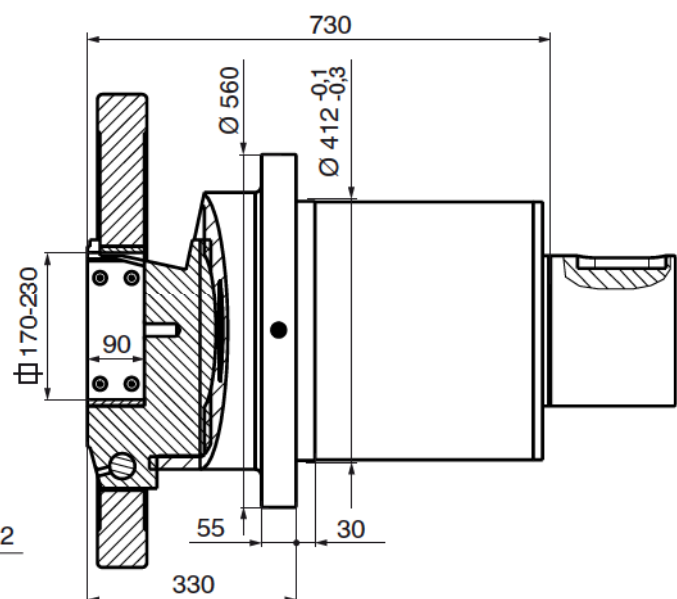
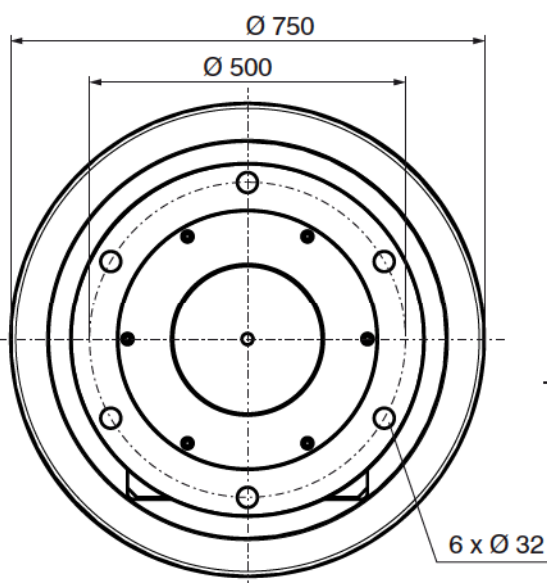
Boschert-Chuck 170-230 with wear plates



FLW 170-230
chuck with shaft end



FLO 170-230
chuck without shaft end

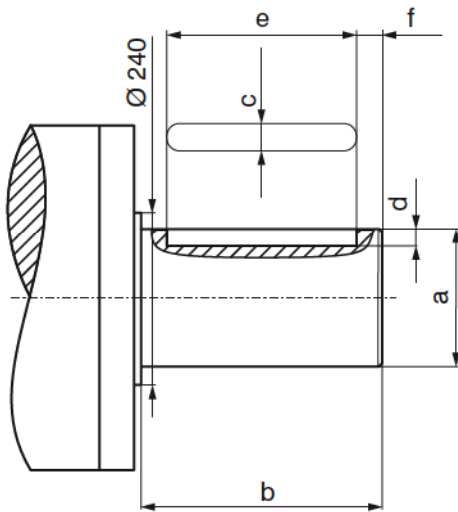


Shaft end details page 2.93

Boschert-Chuck 170-230 options



Shaft end



Max. shaft-dia.: Ø 240 mm
(special shaft without stop)

Shaft end per customer specification

| | | |
|-----|--|----|
| a = | | mm |
| b = | | mm |
| c = | | mm |
| d = | | mm |
| e = | | mm |
| f = | | mm |