




## 4.70 Boschert-Chuck P50

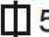



- P50 STO** *Boschert* pneumatic chuck, foot mounted without shaft end  
**P50 STW** *Boschert* pneumatic chuck, foot mounted with shaft end  
**P50 FLO** *Boschert* pneumatic chuck, flange mounted without shaft end  
**P50 FLW** *Boschert* pneumatic chuck, flange mounted with shaft end



**Standard Square bar:**  50 mm (1.9685")  
**max. beam weight:**  2800 kg (6170 lbs)  
**max. torque:**  1100 Nm (800 ft/lb)

### Please note:

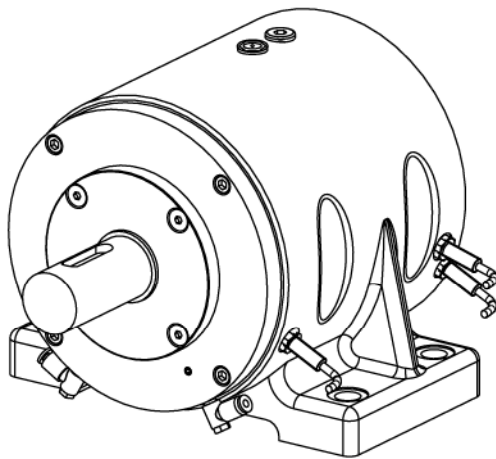
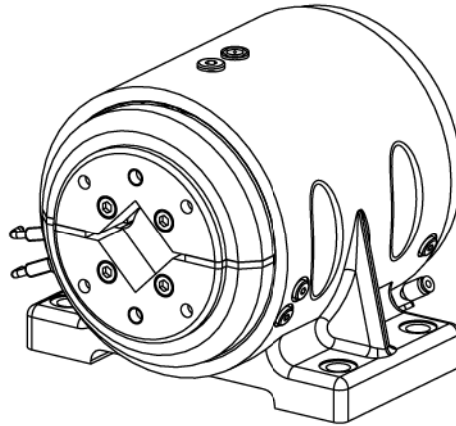
Max. beamweight and torque on P50 chucks are reduced when using VT2-inserts with a smaller square bar than  50 mm ( 2" / 50.8 mm).

|                               |                  | Info |
|-------------------------------|------------------|------|
| <b>Type:</b>                  | VT               | 4.74 |
| <b>Journal shaft type VT:</b> | VT2 / VT7        | 4.73 |
| <b>Shaft end:</b>             | standard         | 4.73 |
| <b>Options:</b>               | proximity sensor | 4.73 |
| <b>Add. parts:</b>            | brakes           | 6.00 |
|                               | clutches         | 7.00 |

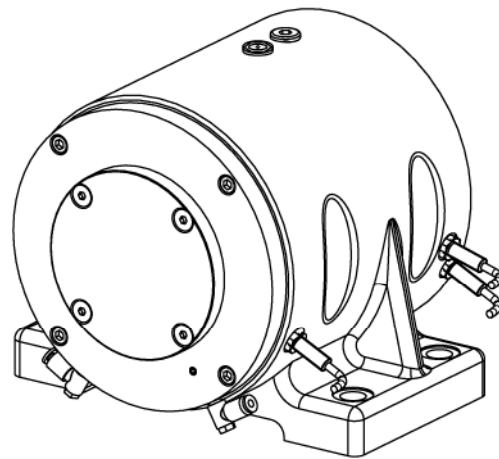
# Boschert-Chuck P50 foot mounted



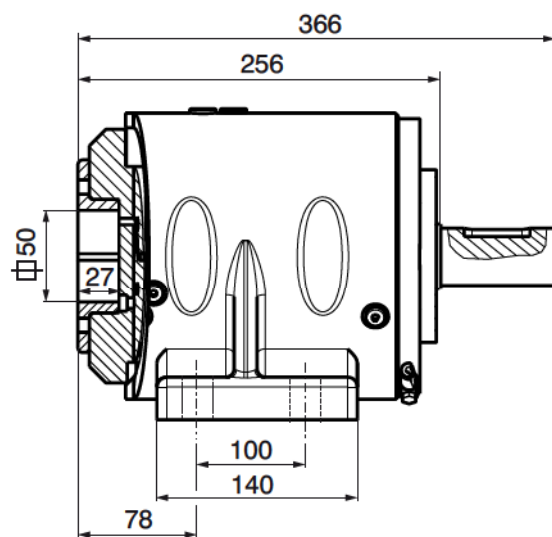
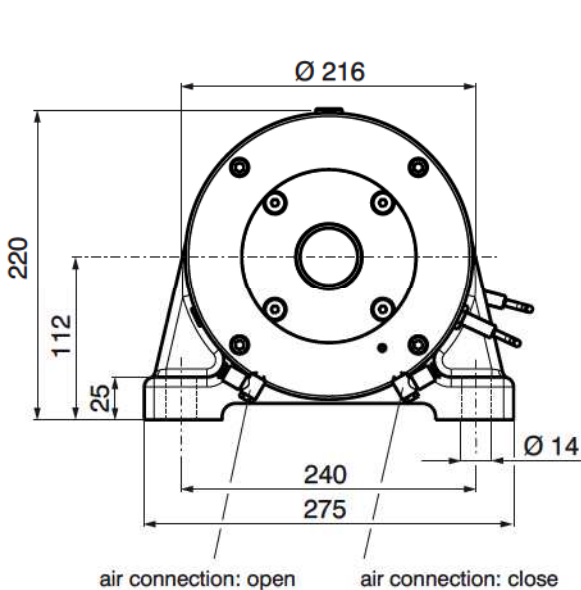
Boschert-Chuck P50



STW P50  
chuck with shaft end



STO P50  
chuck without shaft end

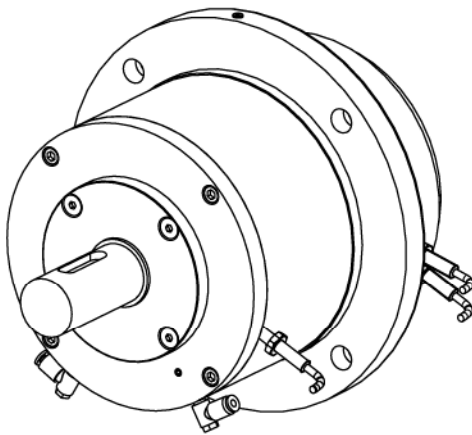
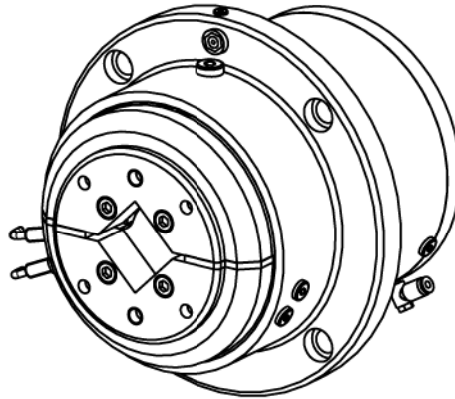


Shaft end details page 4.73

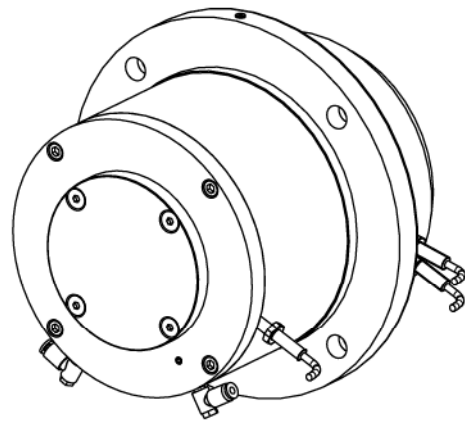
# Boschert-Chuck P50 flange mounted



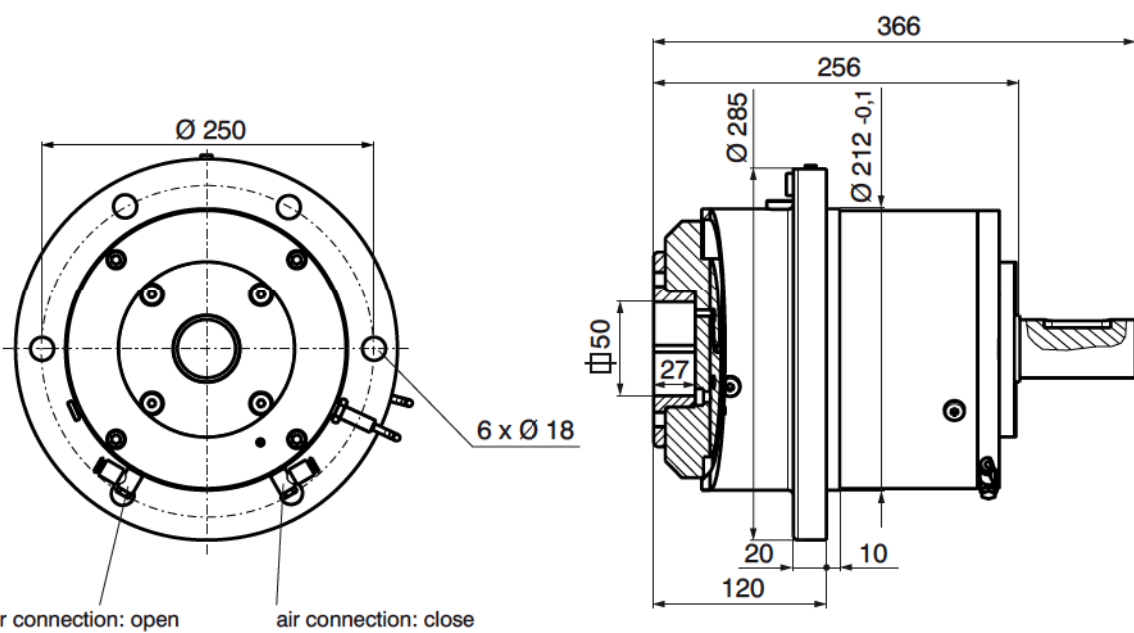
Boschert-Chuck P50



FLW P50  
chuck with shaft end



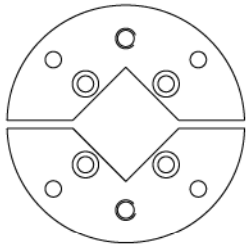
FLO P50  
chuck without shaft end



Shaft end details page 4.73

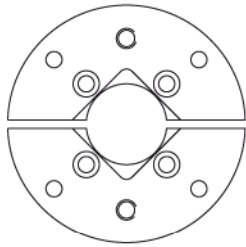
# Boschert-Chuck P50 options

## Journal shaft type



VT 2

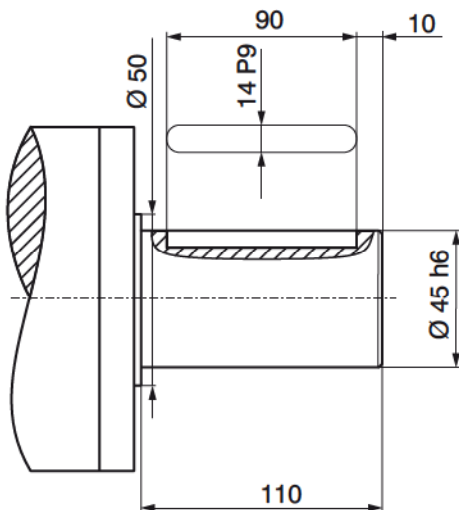
Info: 11.10



VT 7

Info: 11.12

## Shaft end

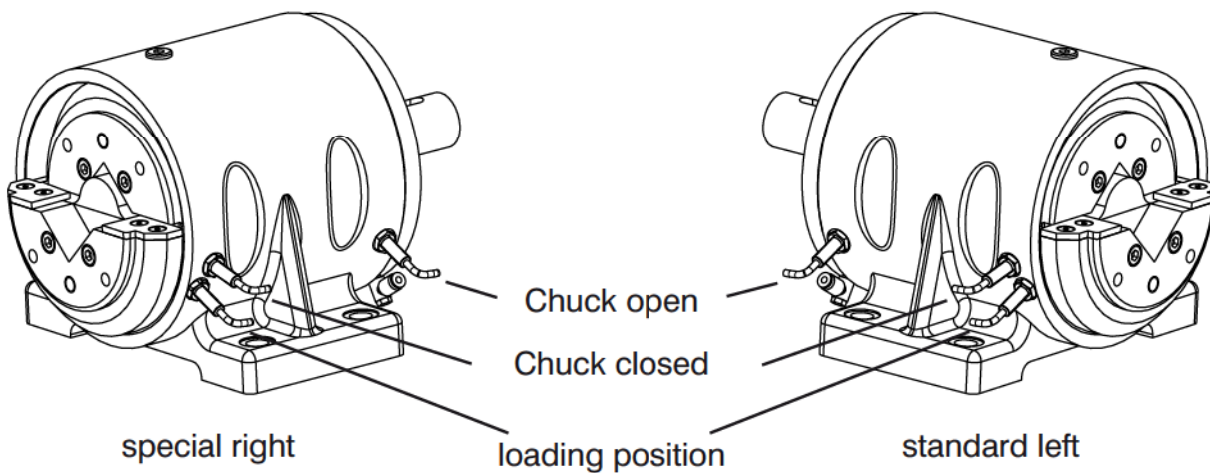


Standard shaft end

Special shaft ends per customer request

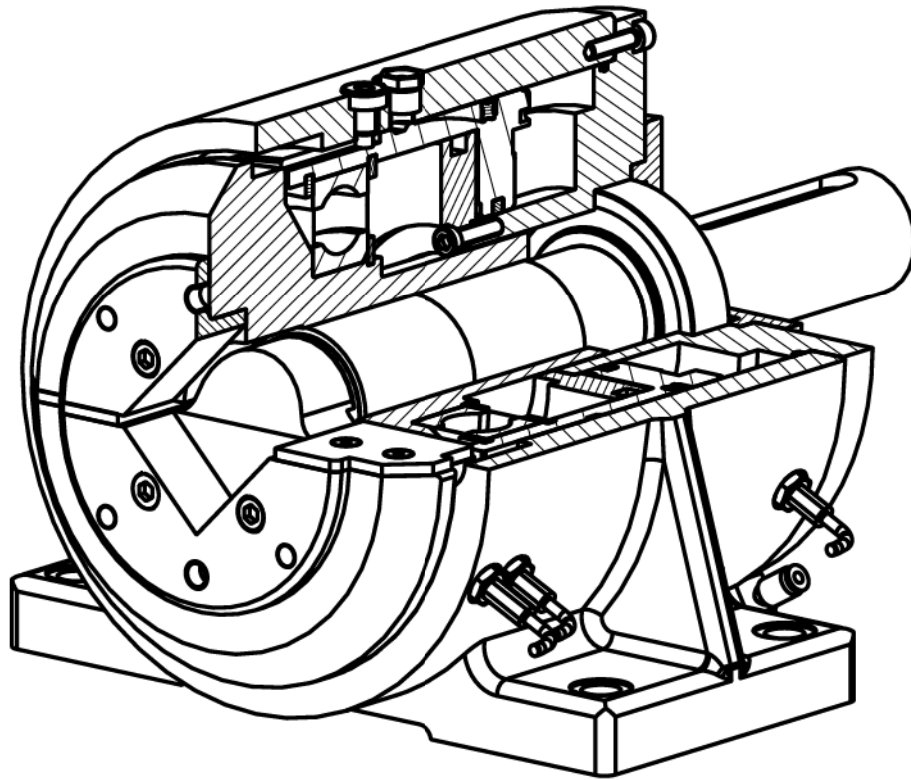
Max. shaft-dia.: Ø 50 mm  
(special shaft without stop)

## Proximity sensor

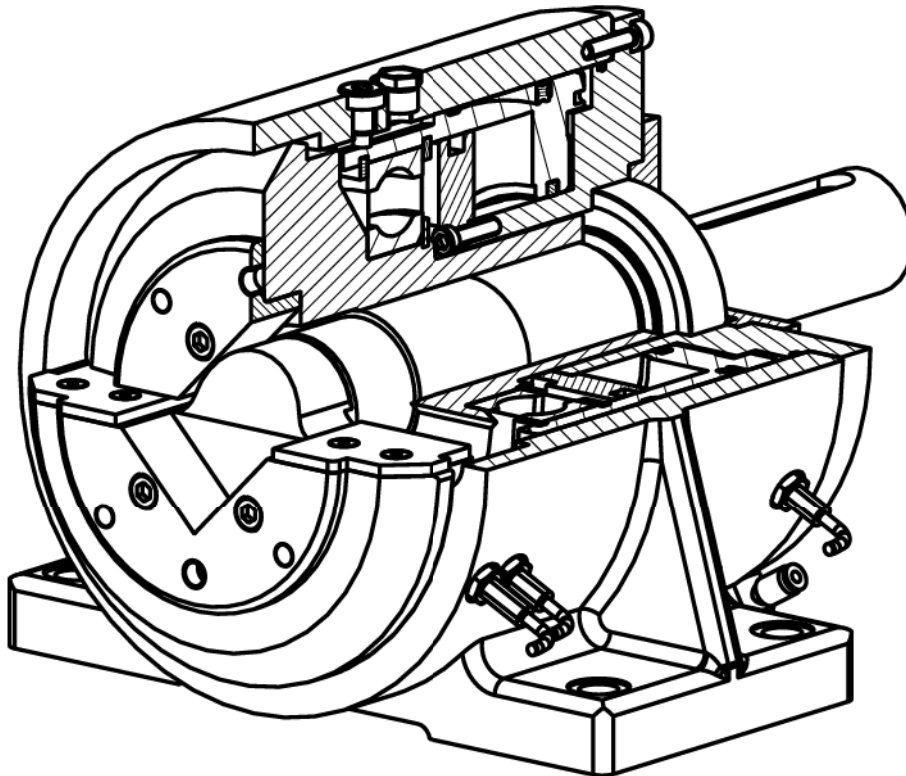




# Construction Chuck type P



P-Chuck closed



P-Chuck open