

## 3.0 Overview Sliding-Chucks



Sliding-Chuck

Info: 3.00



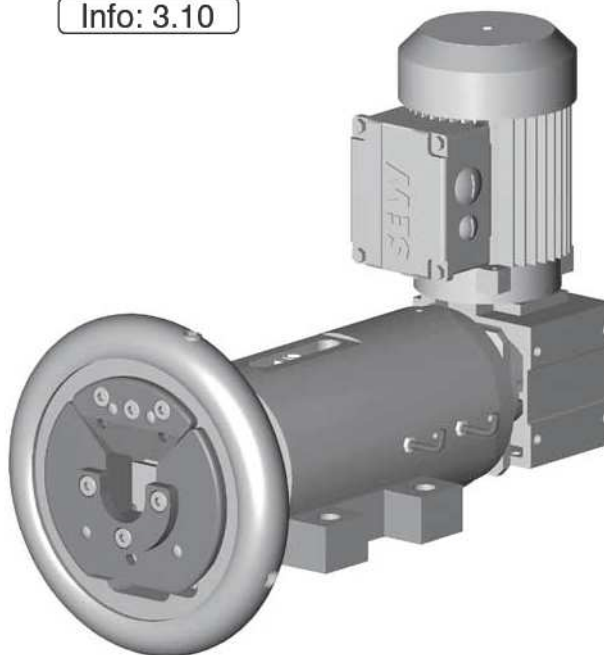
Sliding-Chuck with axial fixed drive

Info: 3.10



Sliding-Chuck for motorized adjustment

Info: 3.30



Sliding-Chuck with motorized adjustment

Info: 3.20

### 3.00 **Boschert** **Sliding-Chuck**



**22-30 to 40-50 SKO**

**Boschert** foot mounted chuck without shaft end

**22-30 to 40-50 SKW**

**Boschert** foot mounted chuck with shaft end

**22-30 to 40-50 SKOF**

**Boschert** flange mounted chuck without shaft end

**22-30 to 40-50 SKWF**

**Boschert** flange mounted chuck with shaft end



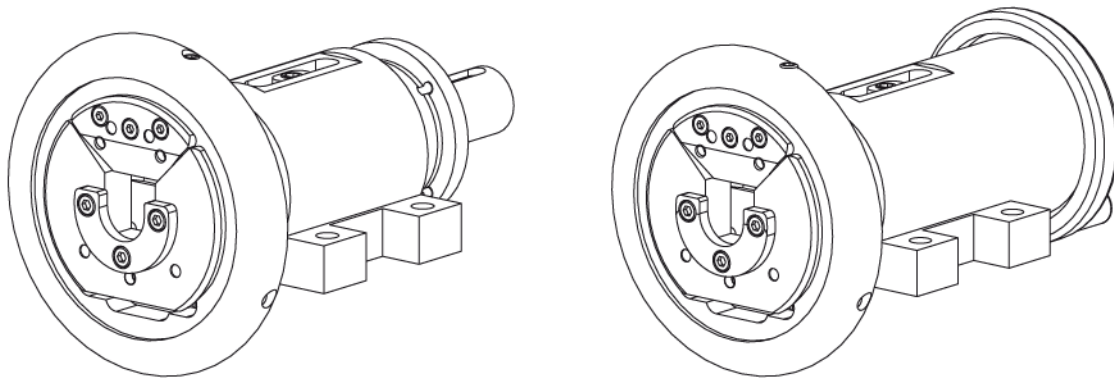
|              | max. beam weight      | max. torque            | square bar                        |
|--------------|-----------------------|------------------------|-----------------------------------|
| <b>22-30</b> | 800 kg<br>(1760 lbs)  | 180 Nm<br>(130 ft/lb)  | 22 - 30 mm<br>(0.8661" - 1.1811") |
| <b>30-40</b> | 1600 kg<br>(3530 lbs) | 350 Nm<br>(250 ft/lb)  | 30 - 40 mm<br>(1.1811" - 1.5748") |
| <b>40-50</b> | 2800 kg<br>(6170 lbs) | 1100 Nm<br>(800 ft/lb) | 40 - 50 mm<br>(1.5748" - 1.9685") |

|                               |                           | Info        |
|-------------------------------|---------------------------|-------------|
| <b>Type:</b>                  | VT                        | 2.55        |
| <b>Journal shaft type VT:</b> | VT1 / VT2 / VT6 / VT7     | 3.80        |
| <b>Model:</b>                 | 50 mm adjustment          | 3.03 - 3.06 |
|                               | 100 mm adjustment         | 3.03 - 3.06 |
| <b>Shaft end:</b>             | Standard                  | 3.03 / 3.05 |
| <b>Handwheel lock:</b>        | lock type I (left/right)  | 3.80        |
|                               | lock type II (left/right) | 3.80        |
| <b>Axial locking:</b>         | driver disc               | 3.81 - 3.84 |
| <b>Options:</b>               | axial fixed drive         | 3.10 - 3.11 |
|                               | with motorized adjustment | 3.20 - 3.22 |
|                               | for motorized adjustment  | 3.30 - 3.32 |
| <b>Add. parts:</b>            | brakes                    | 6.00        |
|                               | clutches                  | 7.00        |

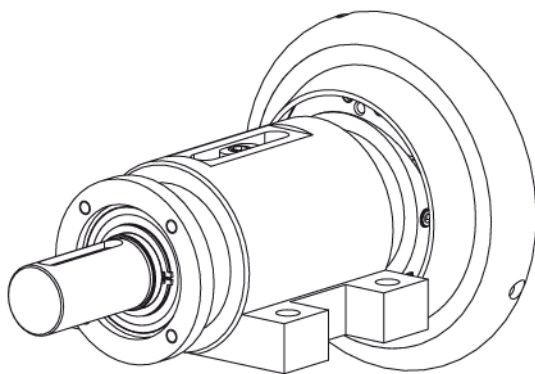
# Boschert-Sliding-Chuck foot mounted



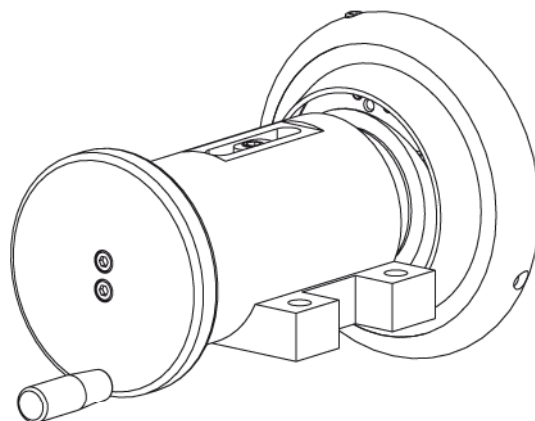
## Boschert-Sliding-Chuck type VT



**SKW**  
chuck with shaft end



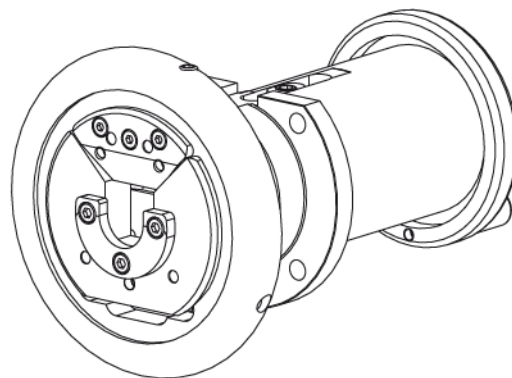
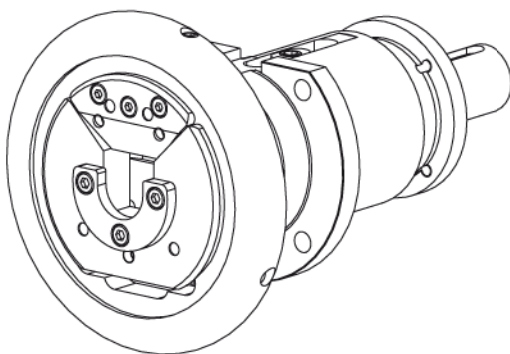
**SKO**  
chuck without shaft end



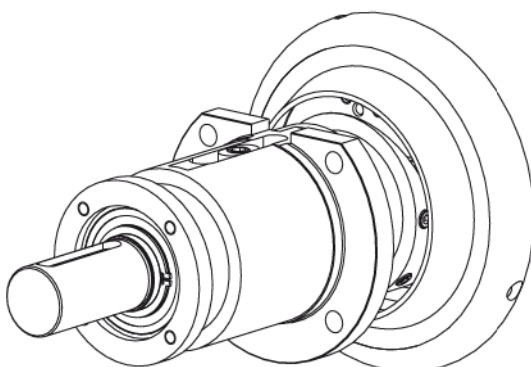
# Boschert-Sliding-Chuck flange mounted



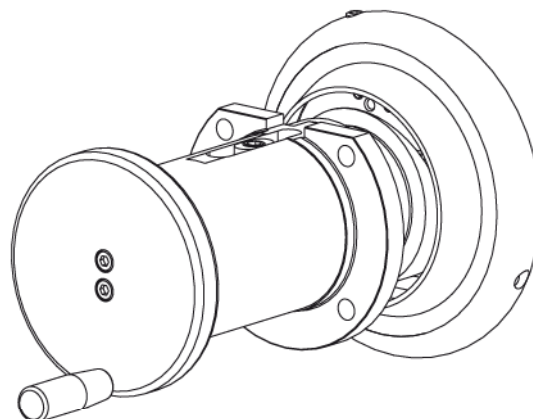
## Boschert-Sliding-Chuck type VT



SKWF  
chuck with shaft end



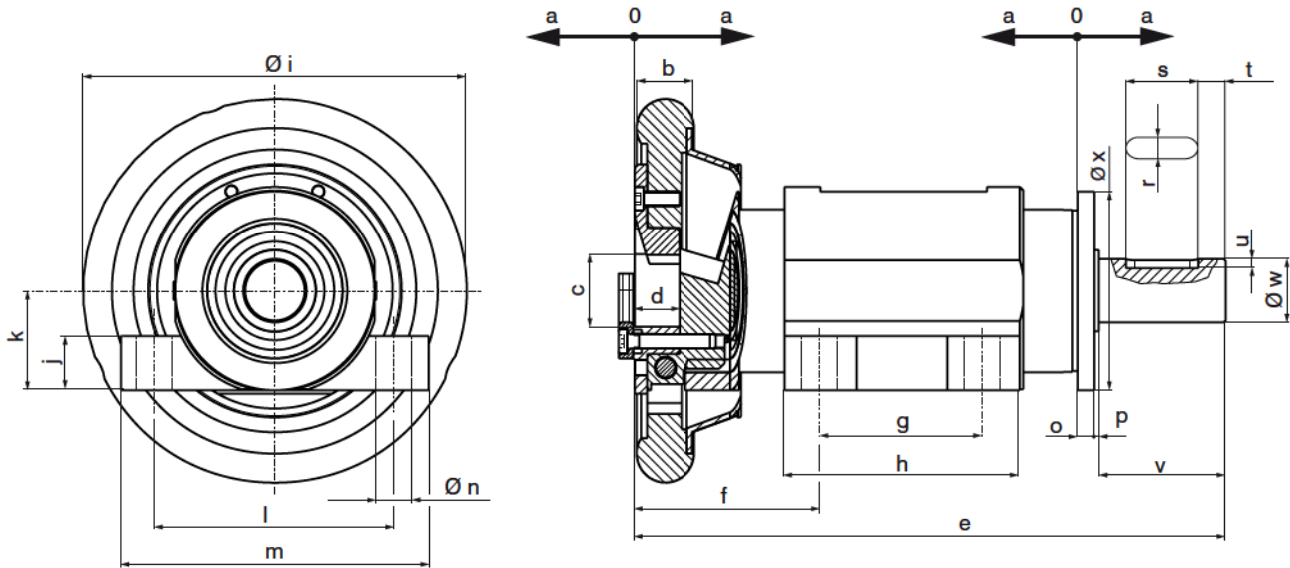
SKOF  
chuck without shaft end



# Boschert-Sliding-Chuck dim. sheet foot mounted chuck



## SKW Boschert foot mounted chuck with shaft end



SW = adjustment

Info  
3.80

| SW   | 22-30 |       | 30-40 |       | 40-50 |       |
|------|-------|-------|-------|-------|-------|-------|
|      | 50    | 100   | 50    | 100   | 50    | 100   |
| a    | 25    | 50    | 25    | 50    | 25    | 50    |
| b    | 25    | 25    | 32    | 32    | 40    | 40    |
| c    | 22-30 | 22-30 | 30-40 | 30-40 | 40-50 | 40-50 |
| d    | 22    | 22    | 25    | 25    | 27    | 27    |
| e    | 322.5 | 422.5 | 338.5 | 438.5 | 372.5 | 427.5 |
| f    | 100   | 125   | 103   | 128   | 115   | 140   |
| g    | 90    | 90    | 90    | 90    | 80    | 80    |
| h    | 130   | 130   | 130   | 130   | 130   | 130   |
| i    | 160   | 160   | 212   | 212   | 235   | 235   |
| j    | 18    | 18    | 30    | 30    | 28    | 28    |
| k    | 50    | 50    | 55    | 55    | 75    | 75    |
| l    | 110   | 110   | 140   | 140   | 160   | 160   |
| m    | 145   | 145   | 168   | 168   | 200   | 200   |
| n    | 13    | 13    | 14    | 14    | 14    | 14    |
| o    | 12    | 12    | 12    | 12    | 12    | 12    |
| p    | 1.5   | 1.5   | 2.5   | 2.5   | 2.5   | 2.5   |
| r P9 | 8     | 8     | 12    | 12    | 14    | 14    |
| s    | 40    | 40    | 70    | 70    | 90    | 90    |
| t    | 15    | 15    | 6     | 6     | 10    | 10    |
| u    | 4     | 4     | 5     | 5     | 5.5   | 5.5   |
| v    | 70    | 70    | 82    | 82    | 110   | 110   |
| w h6 | 28    | 28    | 42    | 42    | 50    | 50    |
| x    | 87    | 87    | 110   | 110   | 125   | 125   |

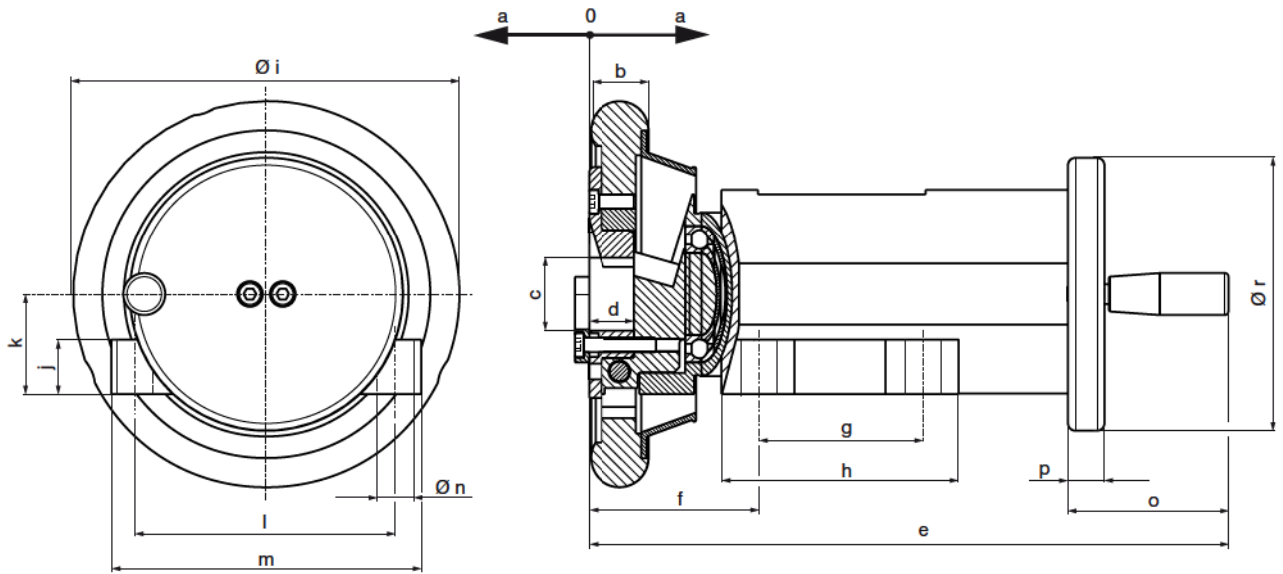
|       | max. beam weight   | max. torque         | square bar                   |
|-------|--------------------|---------------------|------------------------------|
| 22-30 | 800 kg (1760 lbs)  | 180 Nm (130 ft/lb)  | 22-30 mm (0.8661" - 1.1811") |
| 30-40 | 1600 kg (3530 lbs) | 350 Nm (250 ft/lb)  | 30-40 mm (1.1811" - 1.5748") |
| 40-50 | 2800 kg (6170 lbs) | 1100 Nm (800 ft/lb) | 40-50 mm (1.5748" - 1.9685") |



# Boschert-Sliding-Chuck dim. sheet foot mounted chuck



## SKO Boschert foot mounted chuck without shaft end



SW = adjustment

Info  
3.80

| SW | 22-30 |       | 30-40 |       | 40-50 |       |
|----|-------|-------|-------|-------|-------|-------|
|    | 50    | 100   | 50    | 100   | 50    | 100   |
| a  | 25    | 50    | 25    | 50    | 25    | 50    |
| b  | 25    | 25    | 32    | 32    | 40    | 40    |
| c  | 22-30 | 22-30 | 30-40 | 30-40 | 40-50 | 40-50 |
| d  | 22    | 22    | 25    | 25    | 27    | 27    |
| e  | 357.5 | 433   | 360.5 | 435.5 | 381.5 | 456.5 |
| f  | 100   | 125   | 103   | 128   | 115   | 140   |
| g  | 90    | 90    | 90    | 90    | 80    | 80    |
| h  | 130   | 130   | 130   | 130   | 130   | 130   |
| i  | 160   | 160   | 212   | 212   | 235   | 235   |
| j  | 18    | 18    | 30    | 30    | 28    | 28    |
| k  | 50    | 50    | 55    | 55    | 75    | 75    |
| l  | 110   | 110   | 140   | 140   | 160   | 160   |
| m  | 145   | 145   | 168   | 168   | 200   | 200   |
| n  | 13    | 13    | 14    | 14    | 14    | 14    |
| o  | 83.5  | 84    | 87.5  | 87.5  | 102.5 | 102.5 |
| p  | 16    | 16    | 20    | 20    | 20    | 20    |
| r  | 128   | 128   | 150   | 150   | 168   | 168   |

|       | max. beam weight   | max. torque         | square bar                   |
|-------|--------------------|---------------------|------------------------------|
| 22-30 | 800 kg (1760 lbs)  | 180 Nm (130 ft/lb)  | 22-30 mm (0.8661" - 1.1811") |
| 30-40 | 1600 kg (3530 lbs) | 350 Nm (250 ft/lb)  | 30-40 mm (1.1811" - 1.5748") |
| 40-50 | 2800 kg (6170 lbs) | 1100 Nm (800 ft/lb) | 40-50 mm (1.5748" - 1.9685") |

Mattenstrasse 1  
D-79541 Loerrach-Hauingen

infokl@boschert.de  
www.boschert.de

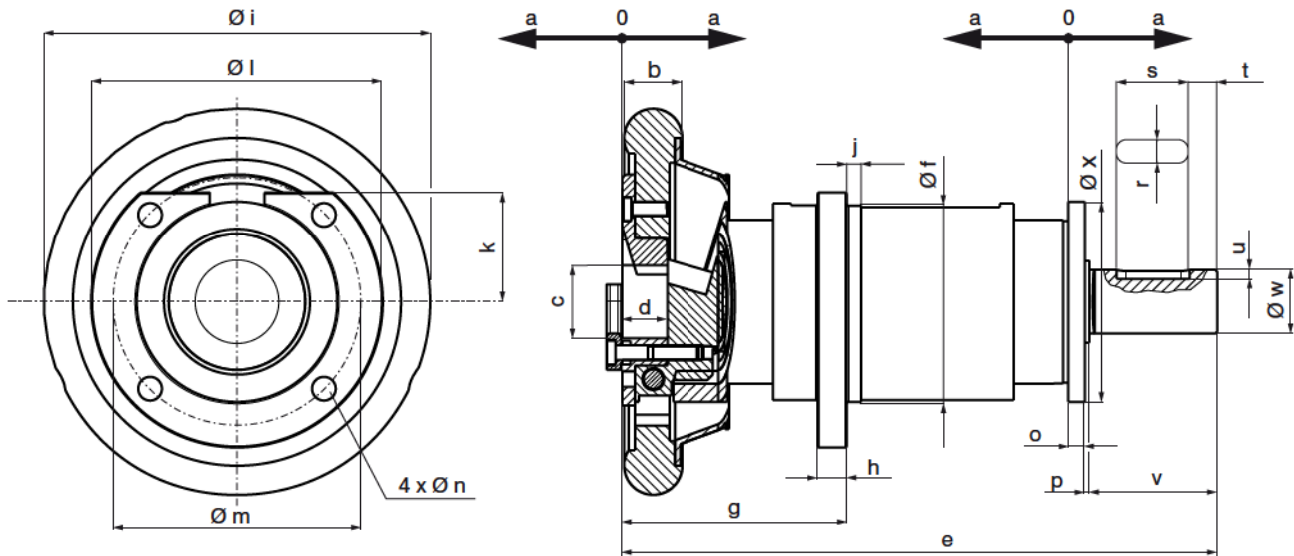
Tel.: +49 (0) 7621 / 9593 0  
Fax: +49 (0) 7621 / 5518 4

**3.04**

# Boschert-Sliding-Chuck dim. sheet flange mounted chuck



## SKWF Boschert flange mounted chuck with shaft end



SW = adjustment

Info  
3.80

|             | 22-30 |       | 30-40 |       | 40-50 |       |
|-------------|-------|-------|-------|-------|-------|-------|
| <b>SW</b>   | 50    | 100   | 50    | 100   | 50    | 100   |
| <b>a</b>    | 25    | 50    | 25    | 50    | 25    | 50    |
| <b>b</b>    | 25    | 25    | 32    | 32    | 40    | 40    |
| <b>c</b>    | 22-30 | 22-30 | 30-40 | 30-40 | 40-50 | 40-50 |
| <b>d</b>    | 22    | 22    | 25    | 25    | 27    | 27    |
| <b>e</b>    | 322.5 | 422.5 | 338.5 | 438.5 | 372.5 | 427.5 |
| <b>f f7</b> | 100   | 100   | 110   | 110   | 140   | 140   |
| <b>g</b>    | 116   | 141   | 123.5 | 148.5 | 136.5 | 161.5 |
| <b>h</b>    | 16    | 16    | 16    | 16    | 22    | 22    |
| <b>i</b>    | 160   | 160   | 212   | 212   | 235   | 235   |
| <b>j</b>    | 4     | 4     | 8     | 8     | 8     | 8     |
| <b>k</b>    | 55    | 55    | 60    | 60    | 77    | 77    |
| <b>l</b>    | 145   | 145   | 160   | 160   | 210   | 210   |
| <b>m</b>    | 120   | 120   | 135   | 135   | 170   | 170   |
| <b>n</b>    | 11    | 11    | 13    | 13    | 18    | 18    |
| <b>o</b>    | 12    | 12    | 12    | 12    | 12    | 12    |
| <b>p</b>    | 1.5   | 1.5   | 2.5   | 2.5   | 2.5   | 2.5   |
| <b>r P9</b> | 8     | 8     | 12    | 12    | 14    | 14    |
| <b>s</b>    | 40    | 40    | 70    | 70    | 90    | 90    |
| <b>t</b>    | 15    | 15    | 6     | 6     | 10    | 10    |
| <b>u</b>    | 4     | 4     | 5     | 5     | 5.5   | 5.5   |
| <b>v</b>    | 70    | 70    | 82    | 82    | 110   | 110   |
| <b>w h6</b> | 28    | 28    | 42    | 42    | 50    | 50    |
| <b>x</b>    | 87    | 87    | 110   | 110   | 125   | 125   |

|              | max. beam weight   | max. torque         | square bar                   |
|--------------|--------------------|---------------------|------------------------------|
| <b>22-30</b> | 800 kg (1760 lbs)  | 180 Nm (130 ft/lb)  | 22-30 mm (0.8661" - 1.1811") |
| <b>30-40</b> | 1600 kg (3530 lbs) | 350 Nm (250 ft/lb)  | 30-40 mm (1.1811" - 1.5748") |
| <b>40-50</b> | 2800 kg (6170 lbs) | 1100 Nm (800 ft/lb) | 40-50 mm (1.5748" - 1.9685") |

3.05

Mattenstrasse 1  
D-79541 Loerrach-Hauingen

infokl@boschert.de  
www.boschert.de

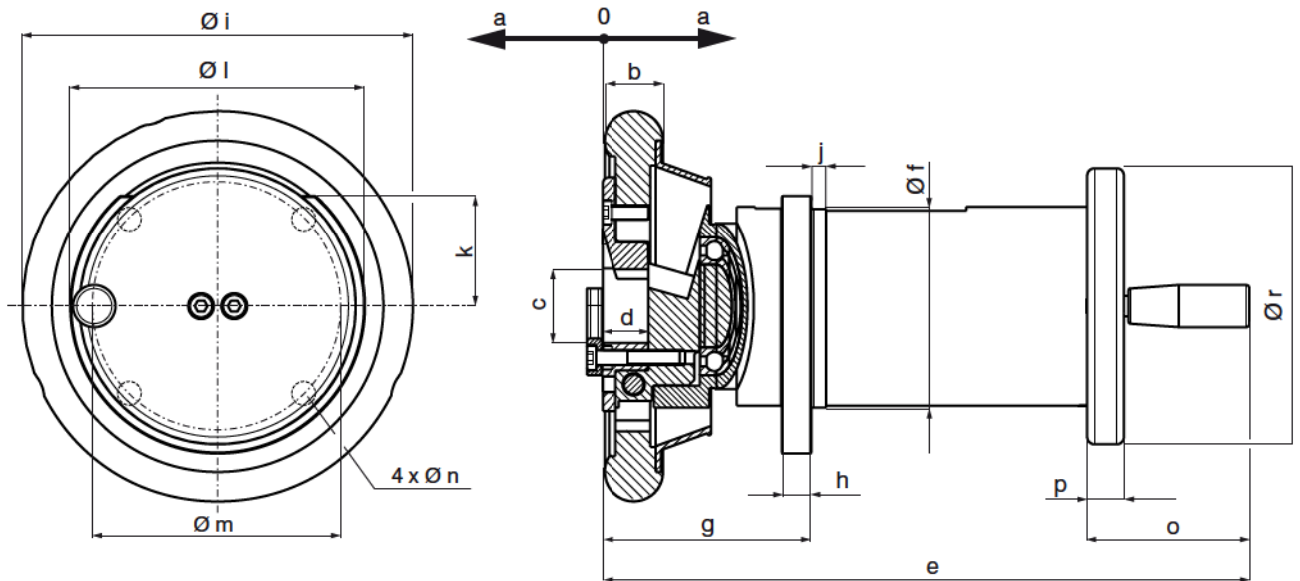
Tel.: +49 (0) 7621 / 9593 0  
Fax: +49 (0) 7621 / 5518 4

Changes reserved (c)

# Boschert-Sliding-Chuck dim. sheet flange mounted chuck



## SKOF Boschert flange mounted chuck without shaft end



SW = adjustment

Info  
3.80

| SW   | 22-30 |       | 30-40 |       | 40-50 |       |
|------|-------|-------|-------|-------|-------|-------|
|      | 50    | 100   | 50    | 100   | 50    | 100   |
| a    | 25    | 50    | 25    | 50    | 25    | 50    |
| b    | 25    | 25    | 32    | 32    | 40    | 40    |
| c    | 22-30 | 22-30 | 30-40 | 30-40 | 40-50 | 40-50 |
| d    | 22    | 22    | 25    | 25    | 27    | 27    |
| e    | 357.5 | 433   | 360.5 | 435.5 | 381.5 | 456.5 |
| f f7 | 100   | 100   | 110   | 110   | 140   | 140   |
| g    | 116   | 141   | 123.5 | 148.5 | 136.5 | 161.5 |
| h    | 16    | 16    | 16    | 16    | 22    | 22    |
| i    | 160   | 160   | 212   | 212   | 235   | 235   |
| j    | 4     | 4     | 8     | 8     | 8     | 8     |
| k    | 55    | 55    | 60    | 60    | 77    | 77    |
| l    | 145   | 145   | 160   | 160   | 210   | 210   |
| m    | 120   | 120   | 135   | 135   | 170   | 170   |
| n    | 11    | 11    | 13    | 13    | 18    | 18    |
| o    | 83.5  | 84    | 87.5  | 87.5  | 102.5 | 102.5 |
| p    | 16    | 16    | 20    | 20    | 20    | 20    |
| r    | 128   | 128   | 150   | 150   | 168   | 168   |

|       | max. beam weight   | max. torque         | square bar                   |
|-------|--------------------|---------------------|------------------------------|
| 22-30 | 800 kg (1760 lbs)  | 180 Nm (130 ft/lb)  | 22-30 mm (0.8661" - 1.1811") |
| 30-40 | 1600 kg (3530 lbs) | 350 Nm (250 ft/lb)  | 30-40 mm (1.1811" - 1.5748") |
| 40-50 | 2800 kg (6170 lbs) | 1100 Nm (800 ft/lb) | 40-50 mm (1.5748" - 1.9685") |

Mattenstrasse 1  
D-79541 Loerrach-Hauingen

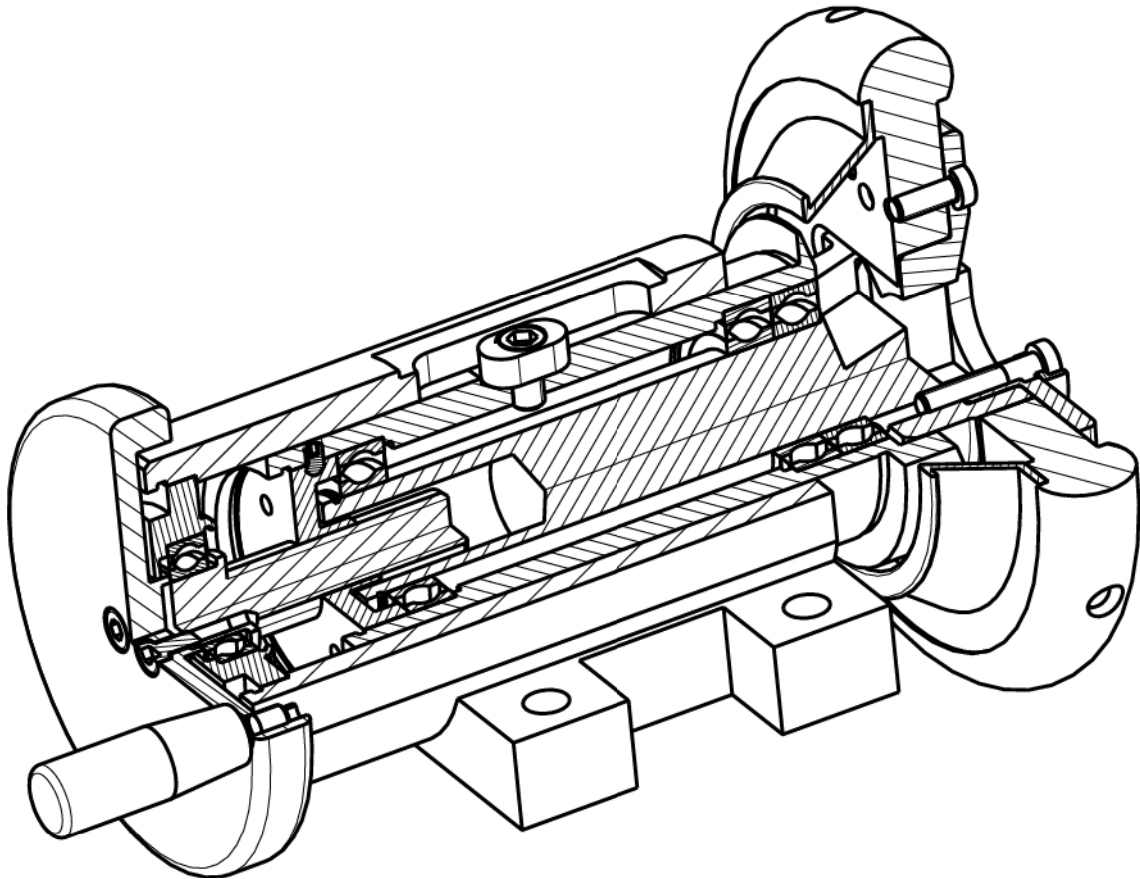
infokl@boschert.de  
www.boschert.de

Tel.: +49 (0) 7621 / 9593 0  
Fax: +49 (0) 7621 / 5518 4

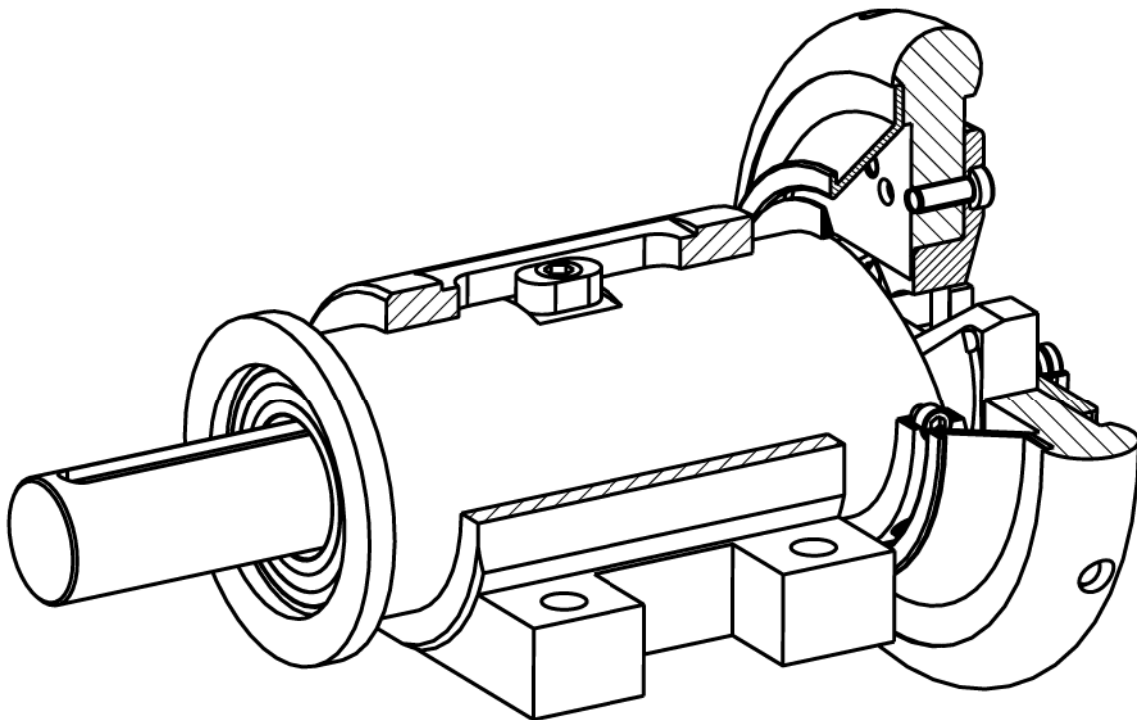
3.06



# Construction Sliding-Chuck

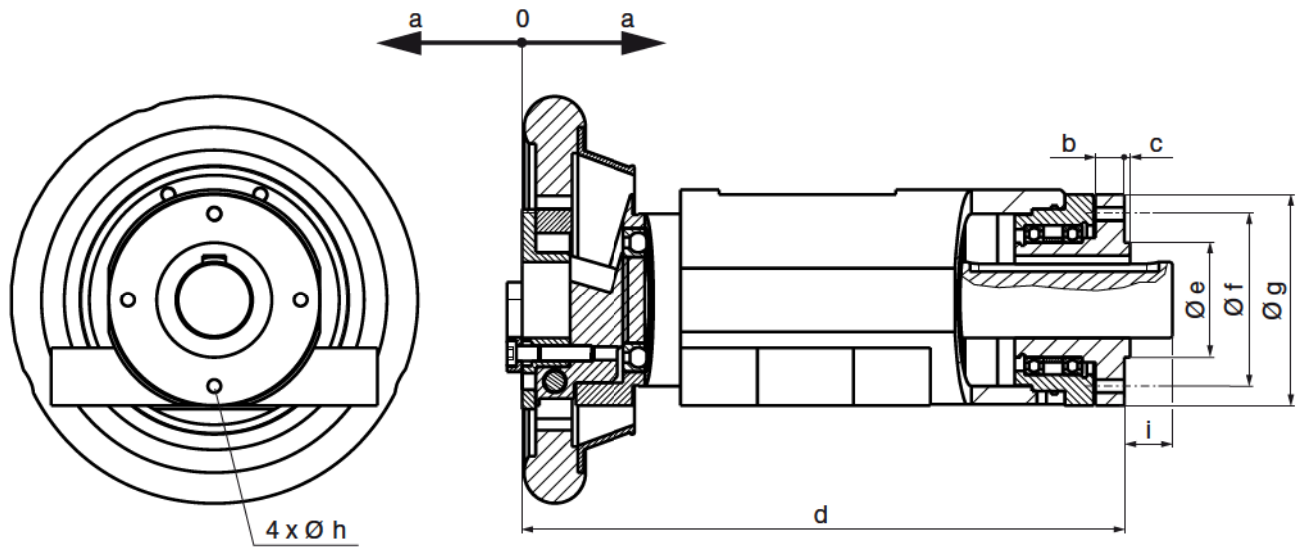


SKO foot mounted chuck without shaft end

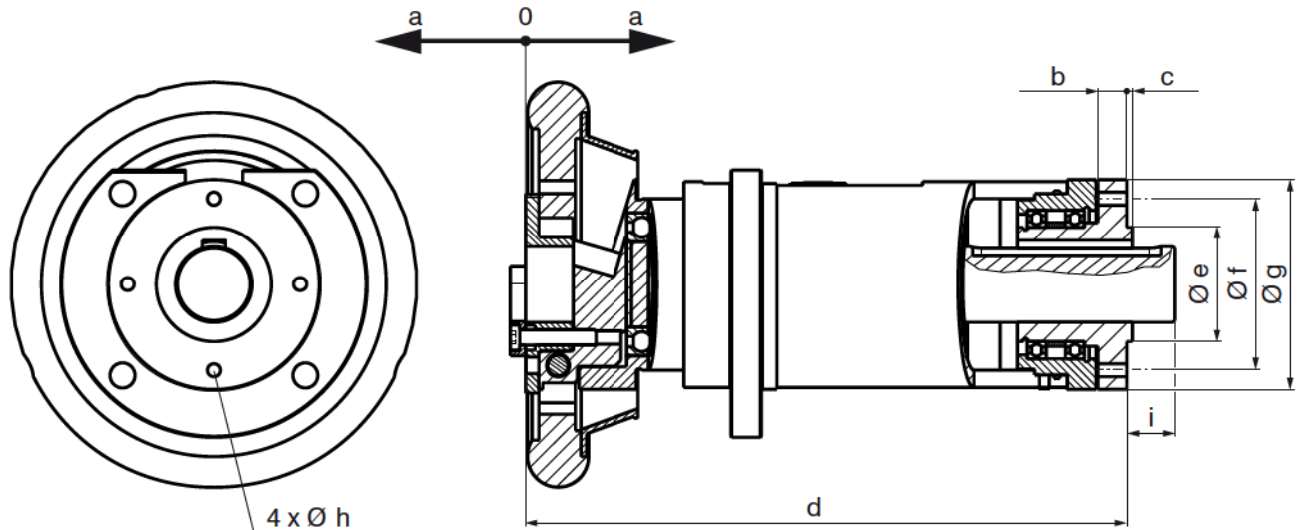


SKW foot mounted chuck with shaft end

# Boschert-Sliding-Chuck with axial fixed drive



SKW foot mounted chuck



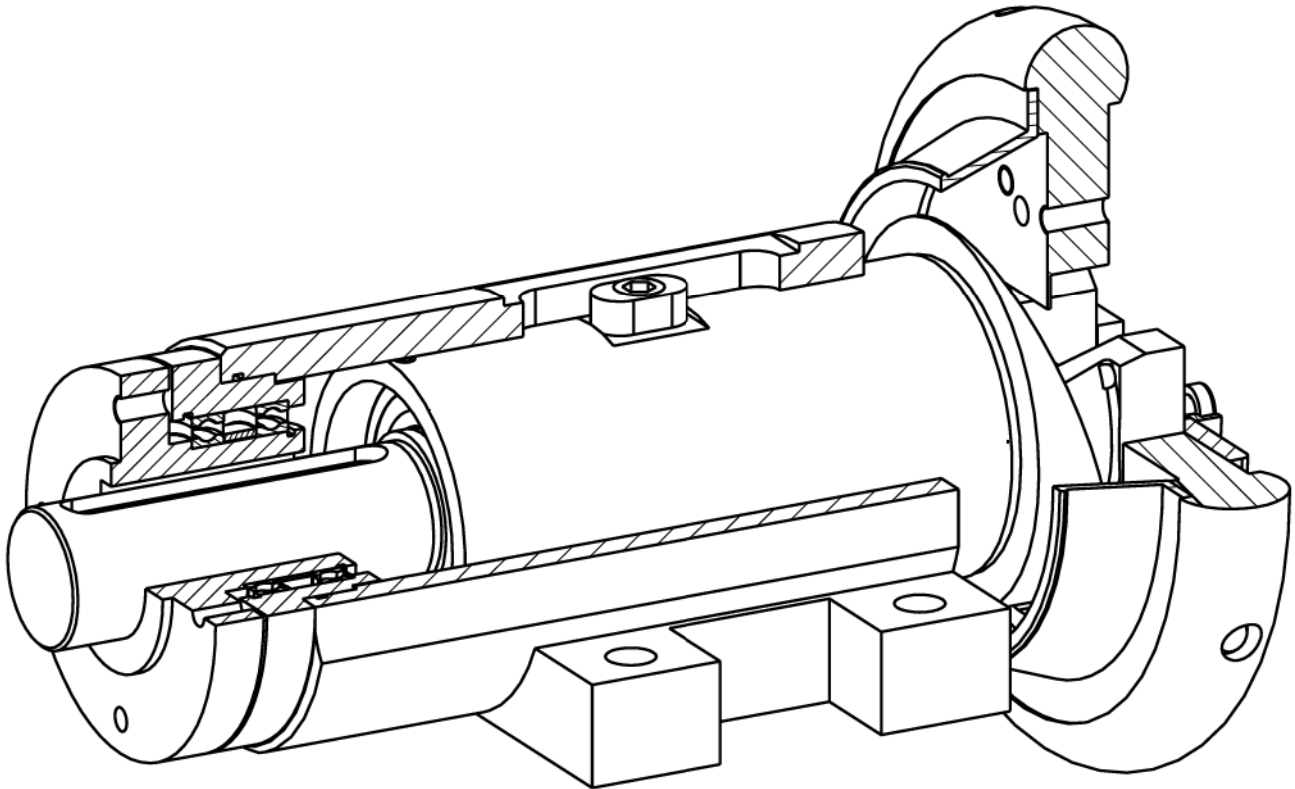
SKWF flange mounted chuck  
SW = adjustment

|      | 22-30 |     | 30-40 |     | 40-50 |      |
|------|-------|-----|-------|-----|-------|------|
| SW   | 50    | 100 | 50    | 100 | 50    | 100  |
| a    | 25    | 50  | 25    | 50  | 25    | 50   |
| b    | 12    | 12  | 15    | 15  | 15    | 15   |
| c    | 3     | 3   | 3     | 3   | 3     | 3    |
| d    | 308   | 383 | 314   | 389 | 330   | 405  |
| e h7 | 50    | 50  | 60    | 60  | 76    | 76   |
| f    | 75    | 75  | 90    | 90  | 110   | 110  |
| g    | 98    | 98  | 110   | 110 | 138   | 138  |
| h    | M 8   | M8  | M 8   | M 8 | M 10  | M 10 |
| i    | 30    | 50  | 25    | 50  | 31    | 56   |

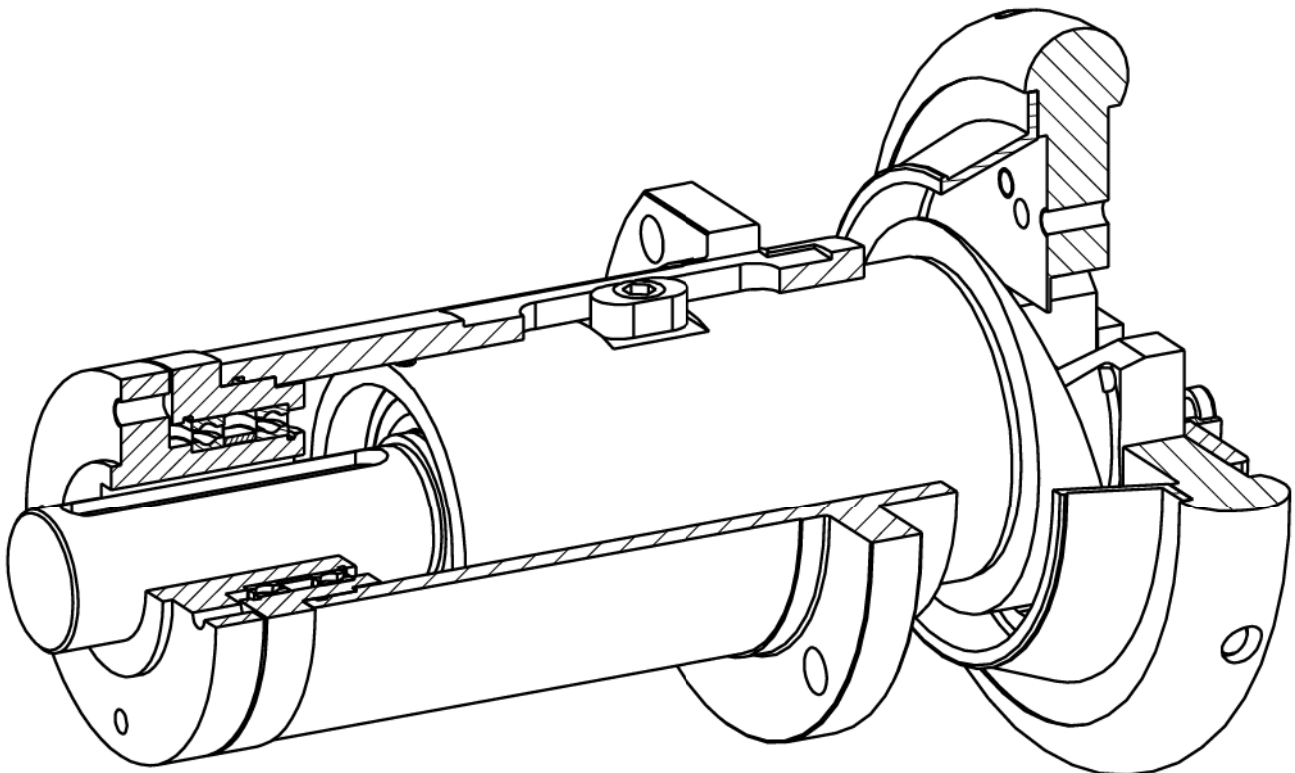
for dimensions not shown please see page 3.04 / 3.06

|       | max. beam weight   | max. torque         | square bar                   |
|-------|--------------------|---------------------|------------------------------|
| 22-30 | 800 kg (1760 lbs)  | 180 Nm (130 ft/lb)  | 22-30 mm (0.8661" - 1.1811") |
| 30-40 | 1600 kg (3530 lbs) | 350 Nm (250 ft/lb)  | 30-40 mm (1.1811" - 1.5748") |
| 40-50 | 2800 kg (6170 lbs) | 1100 Nm (800 ft/lb) | 40-50 mm (1.5748" - 1.9685") |

# Construction Sliding-Chuck with axial fixed drive

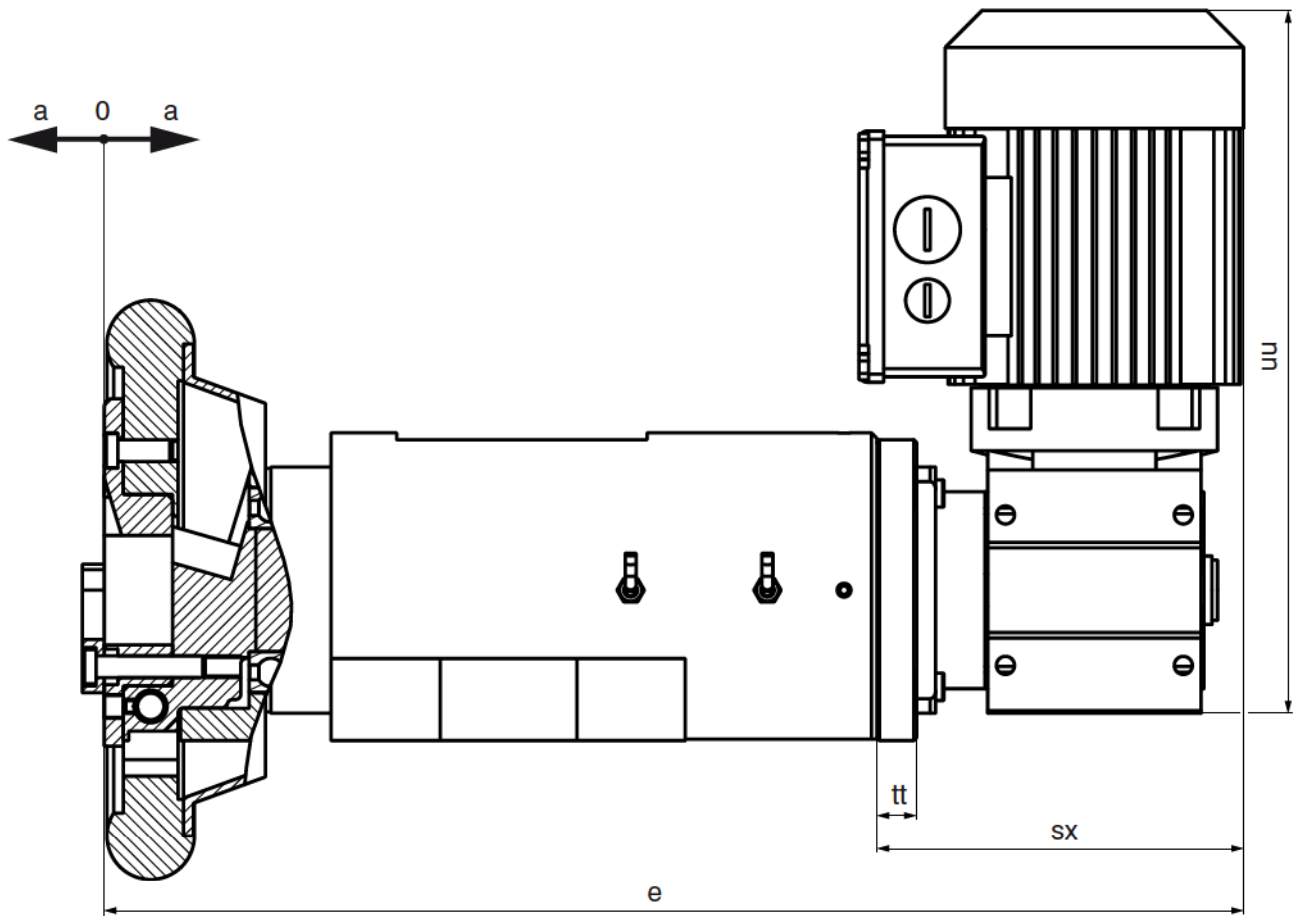


SKW foot mounted chuck



SKWF flange mounted chuck

# Boschert-Sliding-Chuck with motorized adjustment



SKO foot mounted chuck

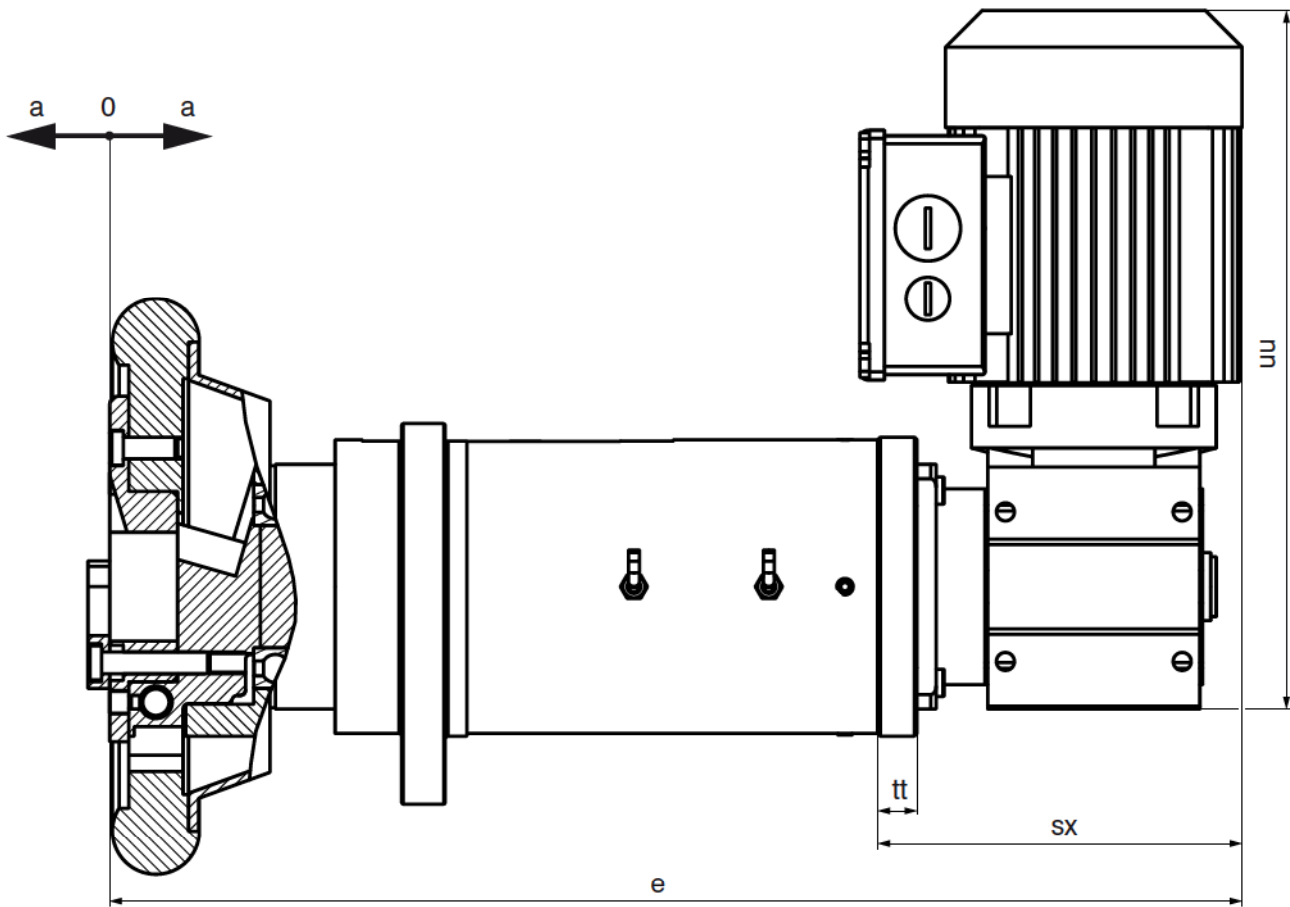
SW = adjustment

|    | 22-30 |       | 30-40 |      | 40-50 |      |
|----|-------|-------|-------|------|-------|------|
| SW | 50    | 100   | 50    | 100  | 50    | 100  |
| a  | 25    | 50    | 25    | 50   | 25    | 50   |
| e  | 412.5 | 489.5 | 417   | 492  | 425   | 499  |
| sx | 134   | 134   | 134   | 134  | 134   | 134  |
| tt | 14    | 14    | 14.5  | 14.5 | 14.5  | 14.5 |
| uu | 267   | 267   | 267   | 267  | 267   | 267  |

for dimensions not shown please see page 3.04

|              | max. beam weight   | max. torque         | square bar                   |
|--------------|--------------------|---------------------|------------------------------|
| <b>22-30</b> | 800 kg (1760 lbs)  | 180 Nm (130 ft/lb)  | 22-30 mm (0.8661" - 1.1811") |
| <b>30-40</b> | 1600 kg (3530 lbs) | 350 Nm (250 ft/lb)  | 30-40 mm (1.1811" - 1.5748") |
| <b>40-50</b> | 2800 kg (6170 lbs) | 1100 Nm (800 ft/lb) | 40-50 mm (1.5748" - 1.9685") |

# Boschert-Sliding-Chuck with motorized adjustment



SKOF flange mounted chuck

SW = adjustment

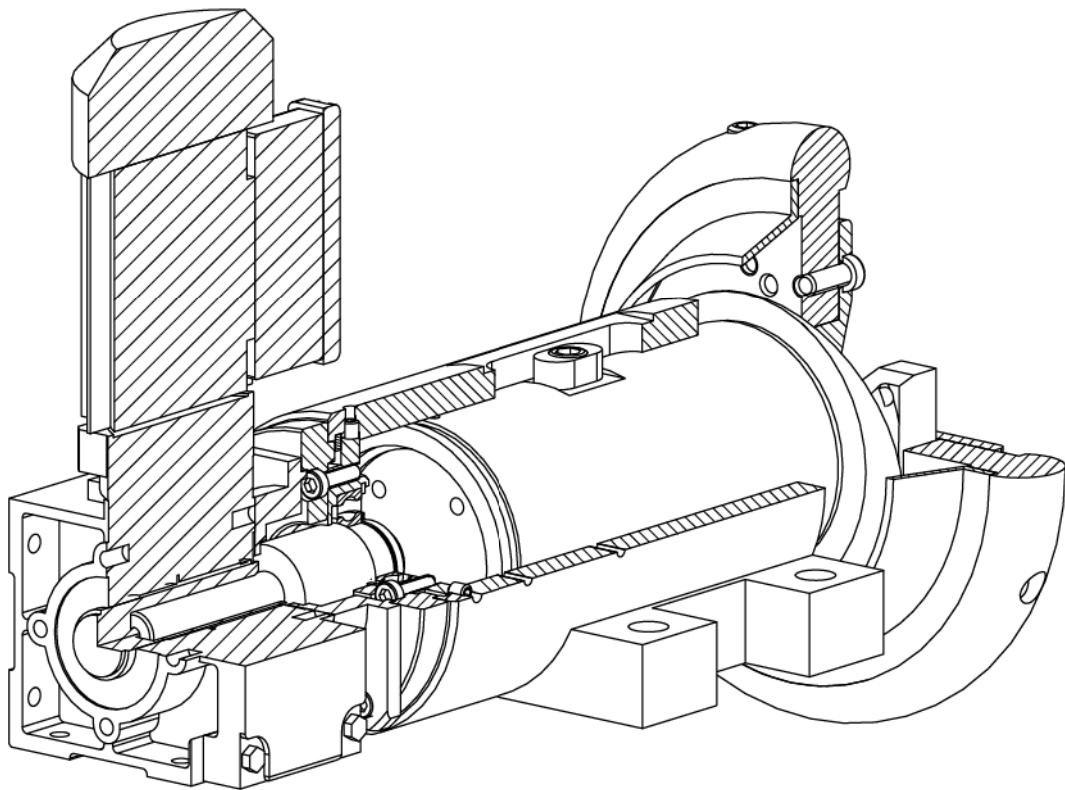
|           | 22-30 |       | 30-40 |      | 40-50 |      |
|-----------|-------|-------|-------|------|-------|------|
| <b>SW</b> | 50    | 100   | 50    | 100  | 50    | 100  |
| <b>a</b>  | 25    | 50    | 25    | 50   | 25    | 50   |
| <b>e</b>  | 412.5 | 489.5 | 417   | 492  | 425   | 499  |
| <b>sx</b> | 134   | 134   | 134   | 134  | 134   | 134  |
| <b>tt</b> | 14    | 14    | 14.5  | 14.5 | 14.5  | 14.5 |
| <b>uu</b> | 267   | 267   | 267   | 267  | 267   | 267  |

for dimensions not shown please see page 3.06

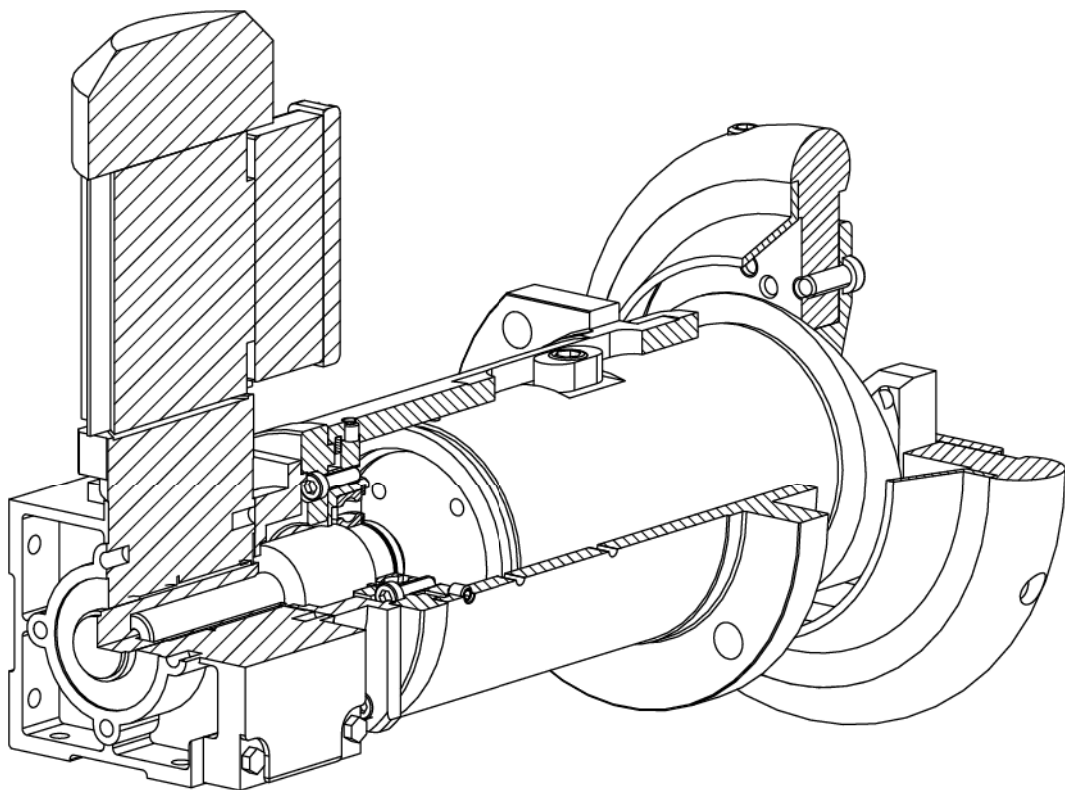
|              | max. beam weight   | max. torque         | square bar                   |
|--------------|--------------------|---------------------|------------------------------|
| <b>22-30</b> | 800 kg (1760 lbs)  | 180 Nm (130 ft/lb)  | 22-30 mm (0.8661" - 1.1811") |
| <b>30-40</b> | 1600 kg (3530 lbs) | 350 Nm (250 ft/lb)  | 30-40 mm (1.1811" - 1.5748") |
| <b>40-50</b> | 2800 kg (6170 lbs) | 1100 Nm (800 ft/lb) | 40-50 mm (1.5748" - 1.9685") |



# Construction Sliding-Chuck with motorized adjustment

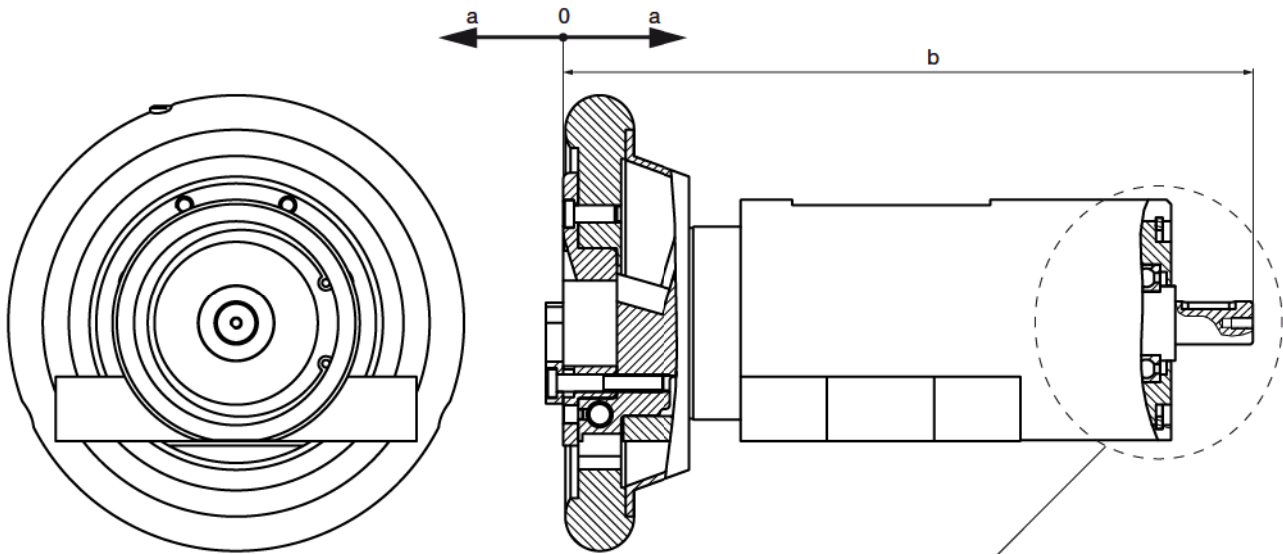


SKO foot mounted chuck

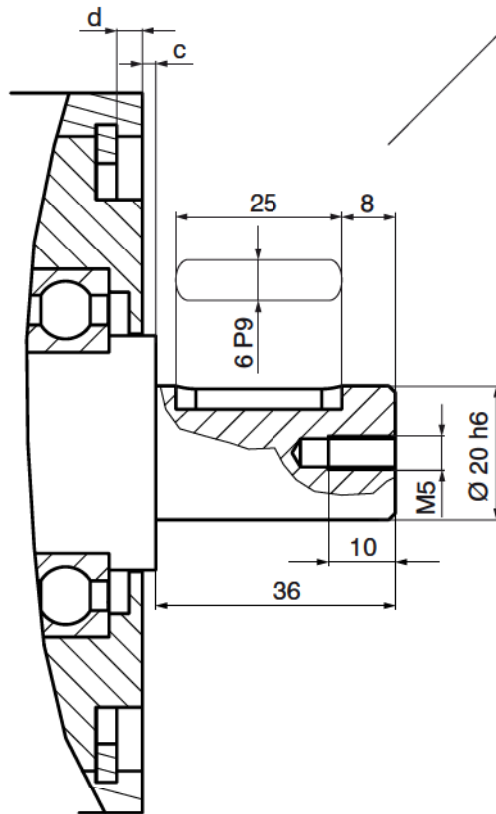


SKOF flange mounted chuck

# Boschert-Sliding-Chuck for motorized adjustment



SKO foot mounted chuck

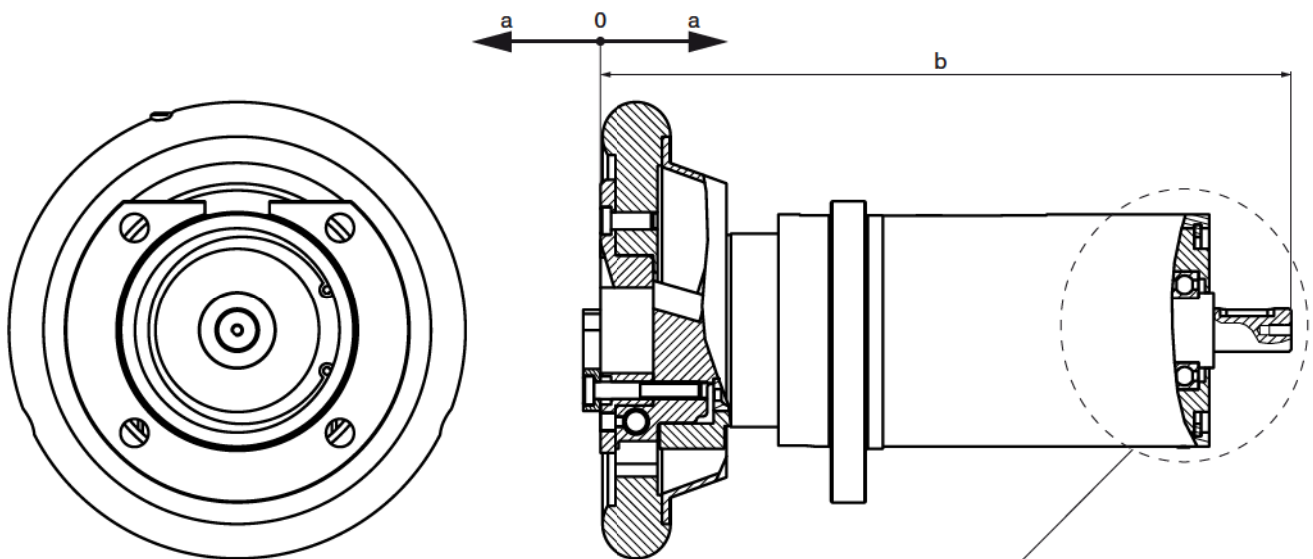


SW = adjustment

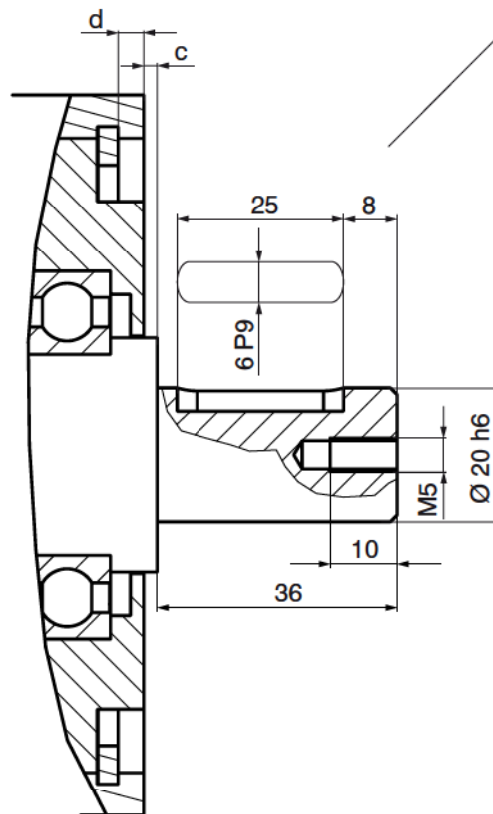
|           | 22-30 |     | 30-40 |     | 40-50 |     |
|-----------|-------|-----|-------|-----|-------|-----|
| <b>SW</b> | 50    | 100 | 50    | 100 | 50    | 100 |
| <b>a</b>  | 25    | 50  | 25    | 50  | 25    | 50  |
| <b>b</b>  | 317   | 394 | 321   | 396 | 327   | 402 |
| <b>c</b>  | 2     | 2   | 2     | 2   | 1     | 1   |
| <b>d</b>  | 3.5   | 3.5 | 4     | 4   | 3.5   | 3.5 |

for dimensions not shown please see page 3.04

# Boschert-Sliding-Chuck for motorized adjustment



SKOF flange mounted chuck

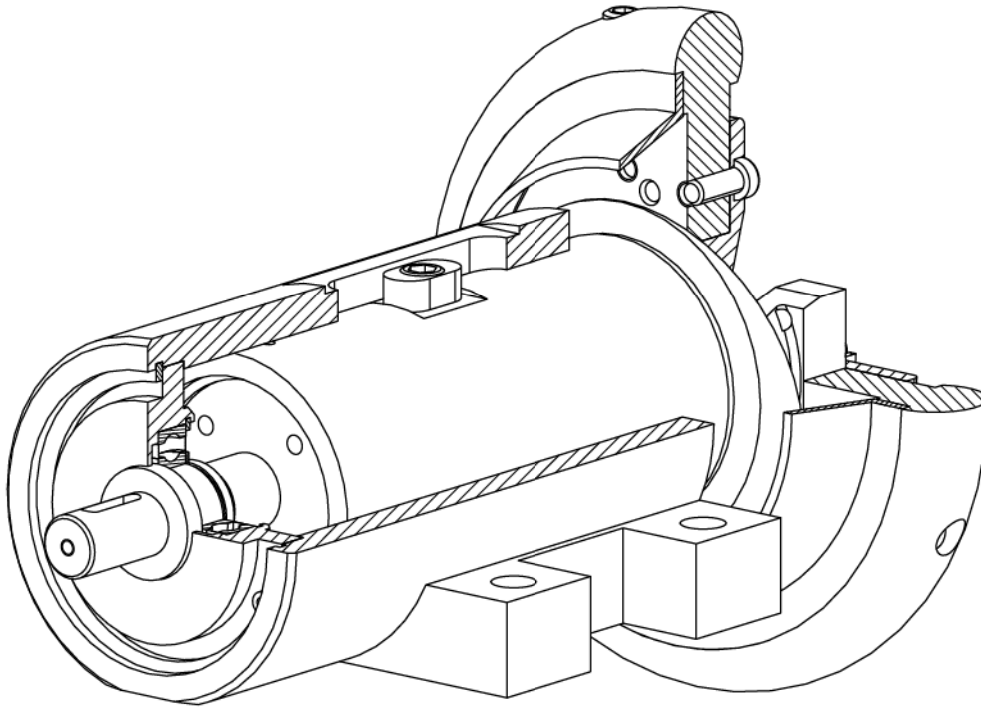


SW = adjustment

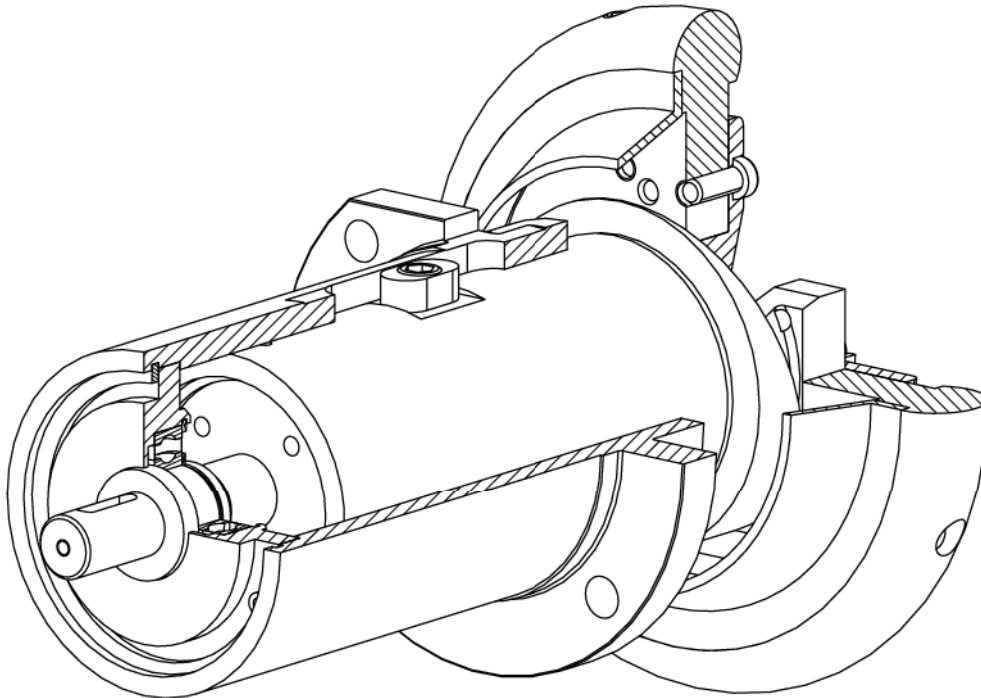
|    | 22-30 |     | 30-40 |     | 40-50 |     |
|----|-------|-----|-------|-----|-------|-----|
| SW | 50    | 100 | 50    | 100 | 50    | 100 |
| a  | 25    | 50  | 25    | 50  | 25    | 50  |
| b  | 317   | 394 | 321   | 396 | 327   | 402 |
| c  | 2     | 2   | 2     | 2   | 1     | 1   |
| d  | 3.5   | 3.5 | 4     | 4   | 3.5   | 3.5 |

for dimensions not shown please see page 3.06

# Construction Sliding-Chuck for motorized adjustment



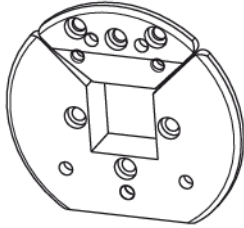
SKO foot mounted chuck



SKOF flange mounted chuck

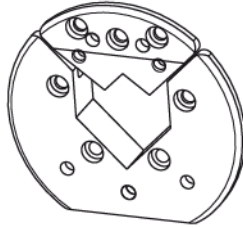
# Boschert-Sliding-Chuck options

## VT-insert



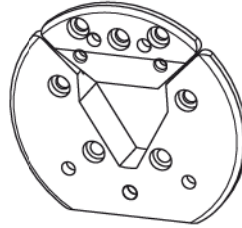
VT 1

Info: 11.10



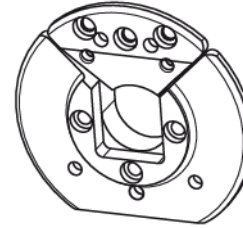
VT 2

Info: 11.10



VT 6

Info: 11.11



VT 7

Info: 11.12

### Note at VT2 and VT7 Chucks:

max. weight = 0.8 x catalogue value  
max. torque = 0.7 x catalogue value

Info  
11.20

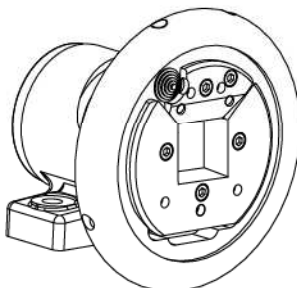
## Shaft end

| type  | max. shaft-dia. |
|-------|-----------------|
| 22-30 | Ø 30 mm         |
| 30-40 | Ø 45 mm         |
| 40-50 | Ø 55 mm         |

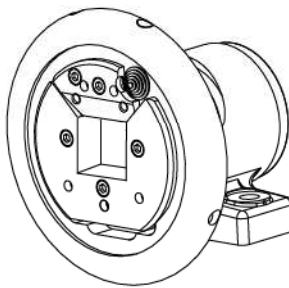
Special shaft ends per customer request

Max. shaft-dia.: see table  
(special shaft without stop)

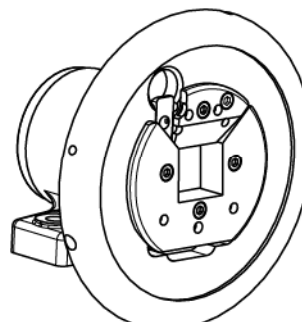
## Handwheel lock



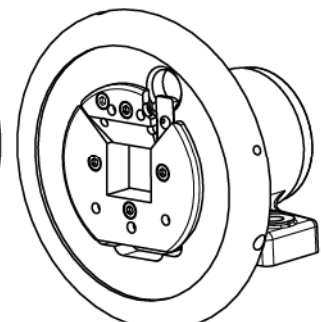
HRV I left



HRV I right



HRV II left



HRV II right

Only 22-30

Due to safety reasons we recommend  
handwheel locks on applications in turret winders.

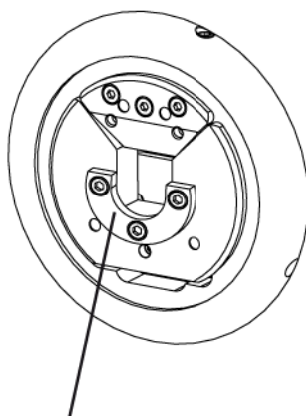
Info  
8.30

Info  
8.31

Handwheel-diameter on chucks 30-40 / 40-50 with lock type II: Ø 250 mm

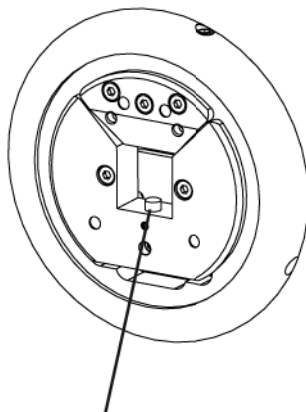


## Axial locking of winding shaft



Axial locking with driver disc

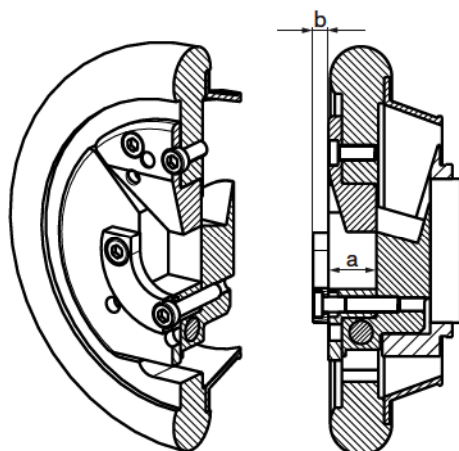
|      | standard | Option |
|------|----------|--------|
| VT 1 |          | x      |
| VT 2 | x        |        |
| VT 6 | x        |        |
| VT 7 | x        |        |



Axial locking with driver pin

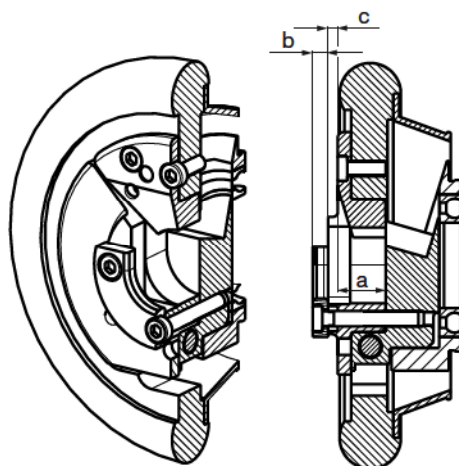
|     | standard | Option |
|-----|----------|--------|
| VT1 | x        |        |

# Dimensions axial locking in Sliding-Chuck



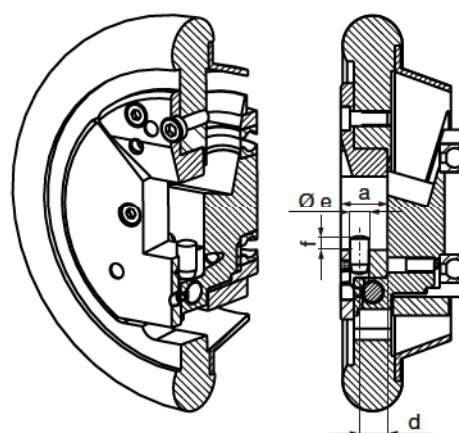
driver disc VT1 / VT2 / VT6

|          | 22-30 | 30-40 | 40-50 |
|----------|-------|-------|-------|
| <b>a</b> | 22    | 25    | 27    |
| <b>b</b> | 7     | 8     | 8     |



driver disc VT7

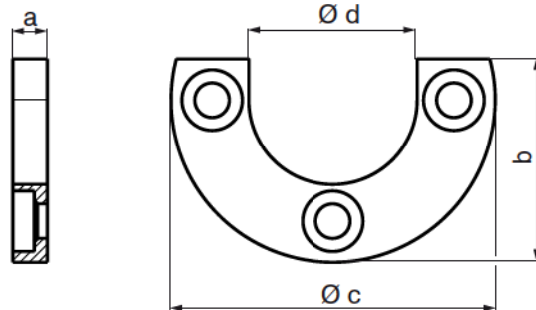
|          | 22-30 | 30-40 | 40-50 |
|----------|-------|-------|-------|
| <b>a</b> | 22    | 25    | 27    |
| <b>b</b> | 7.5   | 7.5   | 7.5   |
| <b>c</b> | 3     | 5     | 4     |



driver pin

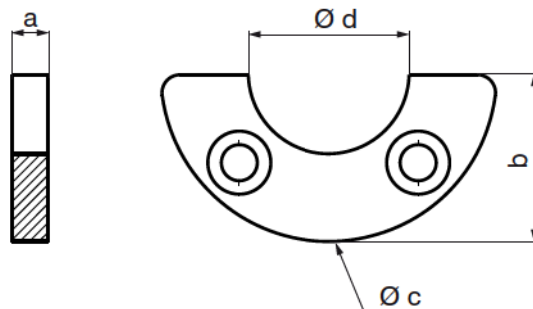
|             | 22-30 | 30-40 | 40-50 |
|-------------|-------|-------|-------|
| <b>a</b>    | 22    | 25    | 27    |
| <b>d</b>    | 12    | 15    | 14    |
| <b>e m6</b> | 8     | 10    | 12    |
| <b>f</b>    | 6     | 6     | 6     |

## VT 1



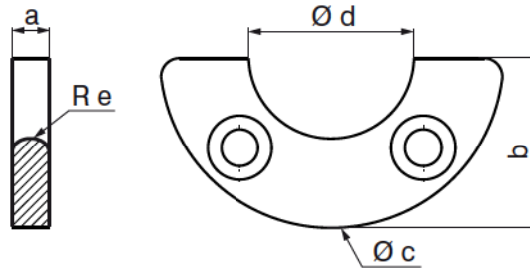
|          | Mini                              | 19-25 | 22-30 | 30-40 | 40-50 |
|----------|-----------------------------------|-------|-------|-------|-------|
| <b>a</b> | 5                                 | 5     | 7     | 8     | 8     |
| <b>b</b> | 31                                | 30    | 38    | 47    | 55    |
| <b>c</b> | 48                                | 48    | 60    | 75    | 90    |
| <b>d</b> | d = square bar dimension - 1 +0,1 |       |       |       |       |

## VT 2



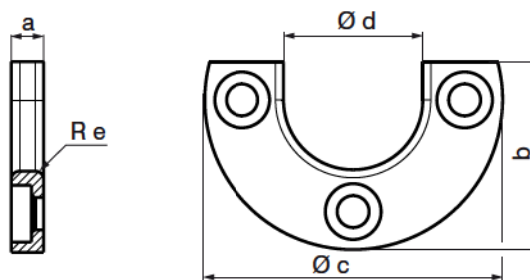
|          | 22-30                             | 30-40 | 40-50 |
|----------|-----------------------------------|-------|-------|
| <b>a</b> | 7                                 | 8     | 8     |
| <b>b</b> | 29                                | 37    | 44    |
| <b>c</b> | 60                                | 75    | 90    |
| <b>d</b> | d = square bar dimension - 1 +0,1 |       |       |

## VT 6



|          | Mini    | 19-25   | 22-30   | 30-40   | 40-50   |
|----------|---------|---------|---------|---------|---------|
| <b>a</b> | 7       | 7       | 7       | 8       | 8       |
| <b>b</b> | 23      | 23      | 29      | 37      | 44      |
| <b>c</b> | 48      | 48      | 60      | 75      | 90      |
| <b>d</b> | 20 +0.1 | 20 +0.1 | 30 +0.1 | 36 +0.1 | 46 +0.1 |
| <b>e</b> | 3.5     | 3.5     | 3.5     | 4       | 4       |

## VT 7

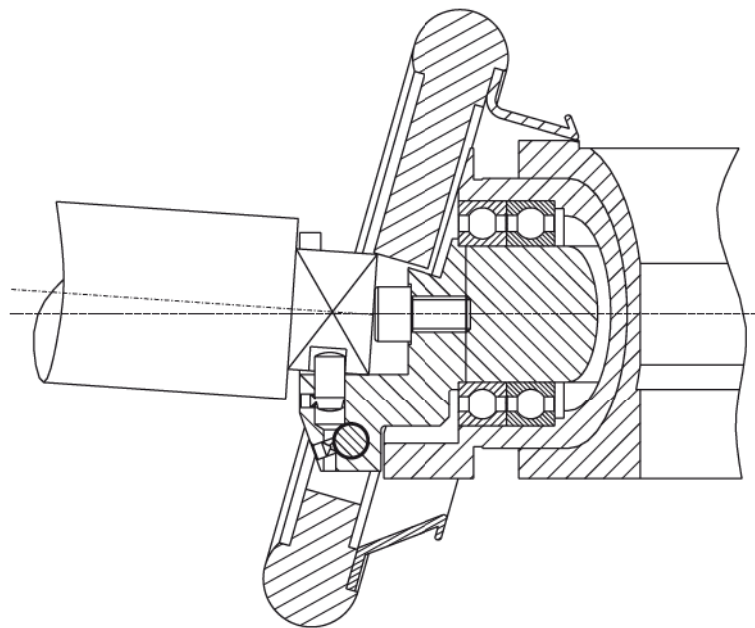
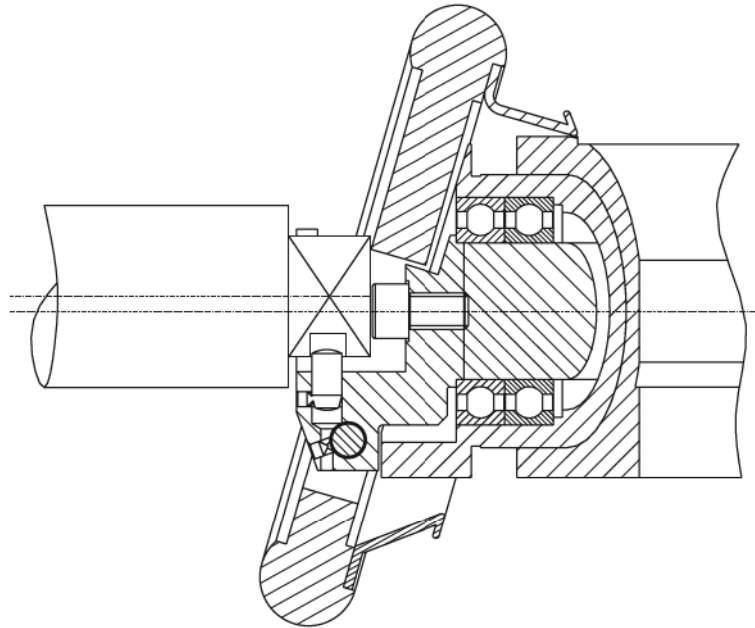


|          | 22-30   | 30-40   | 40-50   |
|----------|---------|---------|---------|
| <b>a</b> | 7.5     | 7.5     | 7.5     |
| <b>b</b> | 38      | 47      | 55      |
| <b>c</b> | 60      | 75      | 90      |
| <b>d</b> | 29 +0.1 | 39 +0.1 | 49 +0.1 |
| <b>e</b> | 2       | 2       | 2       |

## Comment to operation of chucks

### For chucks with axial-movement with driver pin

Occasionally, operation errors can occur when using a crane and the driver pins can become damaged. During unloading, if the winding shaft is lifted at an angle, enormous leverages can occur on the pins and cause them to shear.

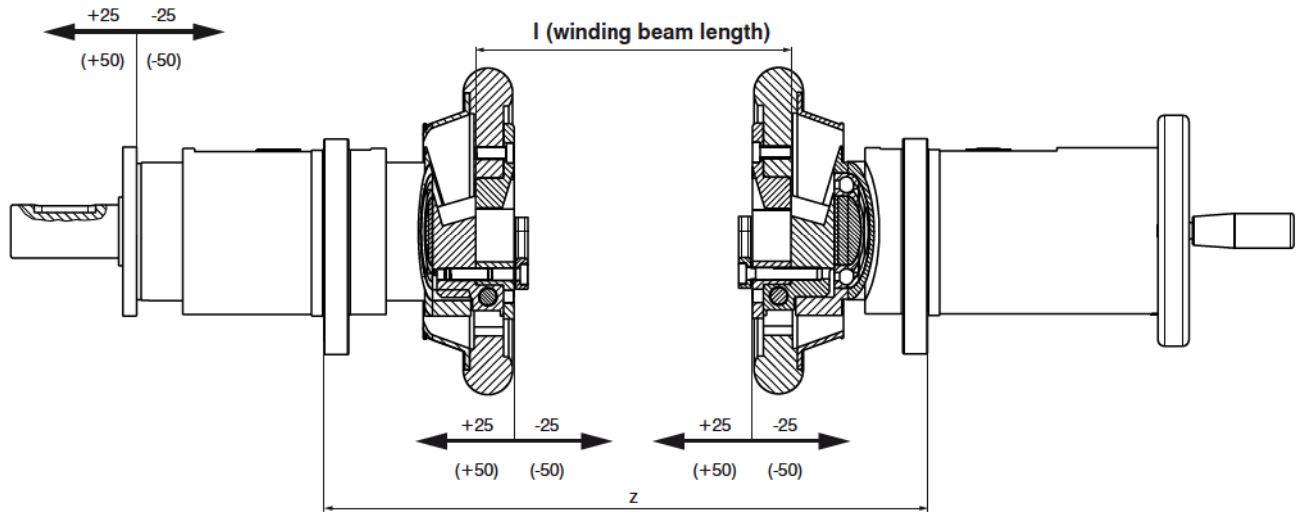


**Please use driver discs as an alternative.**

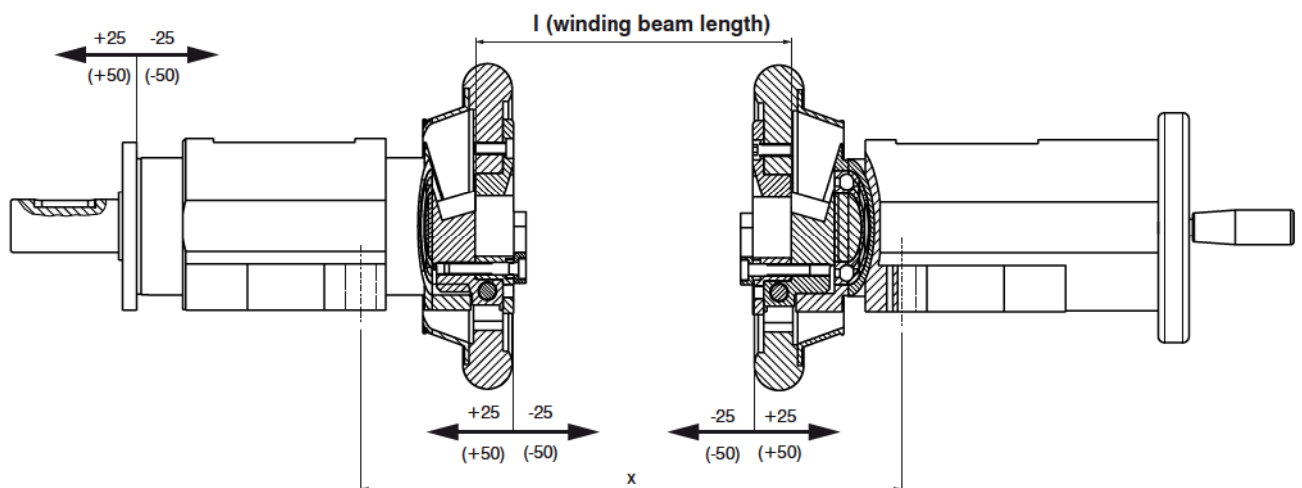


# Fixing positions Sliding-Chuck

## flange mounted chuck



## foot mounted chuck



### 50 mm adjustment

|          | 22-30 | 30-40 | 40-50 |
|----------|-------|-------|-------|
| <b>x</b> | l+156 | l+156 | l+176 |
| <b>z</b> | l+188 | l+197 | l+219 |

### 100 mm adjustment

|          | 22-30 | 30-40 | 40-50 |
|----------|-------|-------|-------|
| <b>x</b> | l+206 | l+206 | l+226 |
| <b>z</b> | l+238 | l+247 | l+269 |

x / z = fixing distance