

## 2.50 Boschert-Chuck 50-80



**50-80 STO**

**Boschert** foot mounted chuck without shaft end

**50-80 STW**

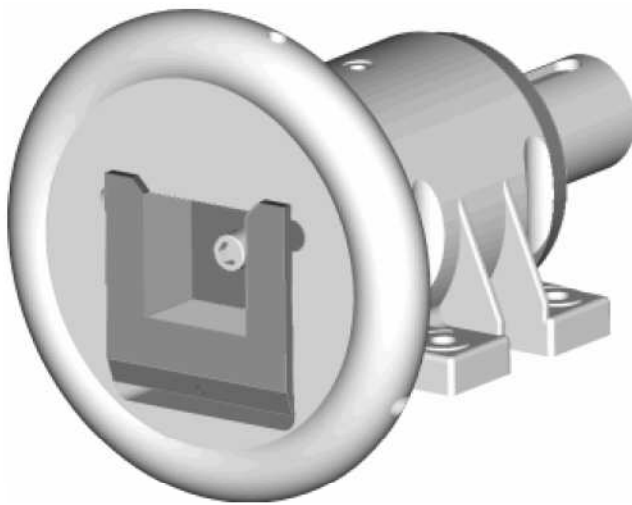
**Boschert** foot mounted chuck with shaft end

**50-80 FLO**

**Boschert** flange mounted chuck without shaft end

**50-80 FLW**

**Boschert** flange mounted chuck with shaft end



Beamweight max.:  max. 7000 kg  (max. 15430 lbs)  
 Square bar:  50 mm - 80 mm (1.9685" - 3.1496")  
 Torque:  2350 Nm (1700 ft/lb)

### Checkbox !

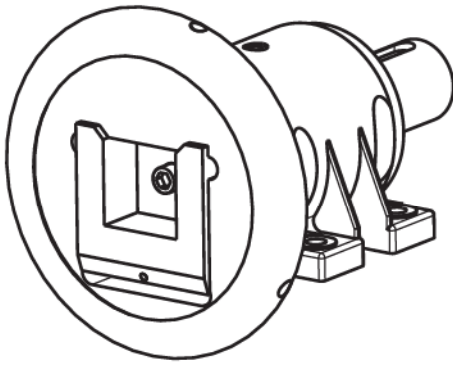
Options				Info
<b>VT-insert:</b>	<input type="checkbox"/> without	<input type="checkbox"/> VT1	<input type="checkbox"/> VT2	
	<input type="checkbox"/> VT6	<input type="checkbox"/> VT7	<input type="checkbox"/> special	
<b>Hardness:</b>	<input type="checkbox"/> 52 HRC	<input type="checkbox"/> 58 HRC	<input type="checkbox"/> special HRC	2.53
<b>Model:</b>	<input type="checkbox"/> pillow block	<input type="checkbox"/> flange chuck		
	<input type="checkbox"/> opening angle $\pm 30^\circ$			5.43
<b>Journal shaft ends:</b>	<input type="checkbox"/> without	<input type="checkbox"/> standard shaft	<input type="checkbox"/> special	2.53
<b>Handwheel lock:</b>	<input type="checkbox"/> without	<input type="checkbox"/> lock type II		
		<input type="checkbox"/> left	<input type="checkbox"/> right	2.53
	(We recommend handwheel locks on applications in turret winders)			
<b>Add. parts:</b>	<input type="checkbox"/> without	<input type="checkbox"/> clutch	<input type="checkbox"/> drive	7.00
	<input type="checkbox"/> brake			6.00
<b>Speed:</b>	<input type="checkbox"/> <50 rpm	<input type="checkbox"/> 50 - 1000 rpm	<input type="checkbox"/> >1000 rpm	

Inquiry- and order form see chapter 9.00

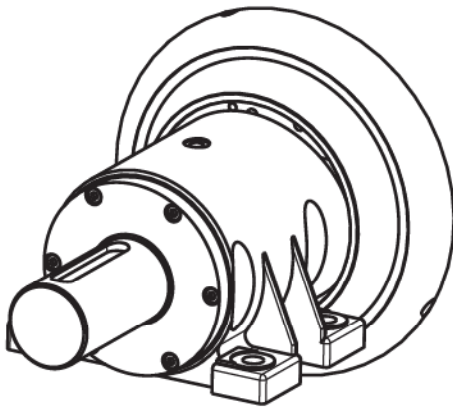
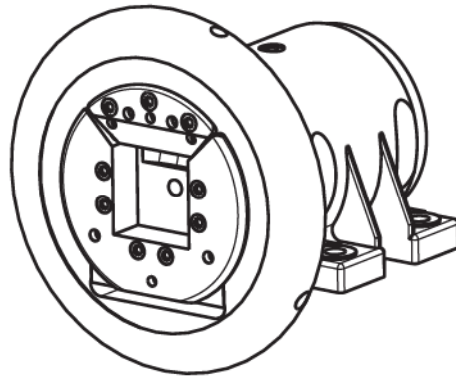
# Boschert-Chuck foot mounted chuck 50-80



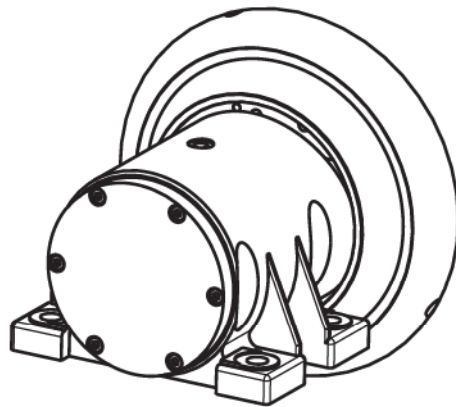
Boschert-Chuck 50-80 type C



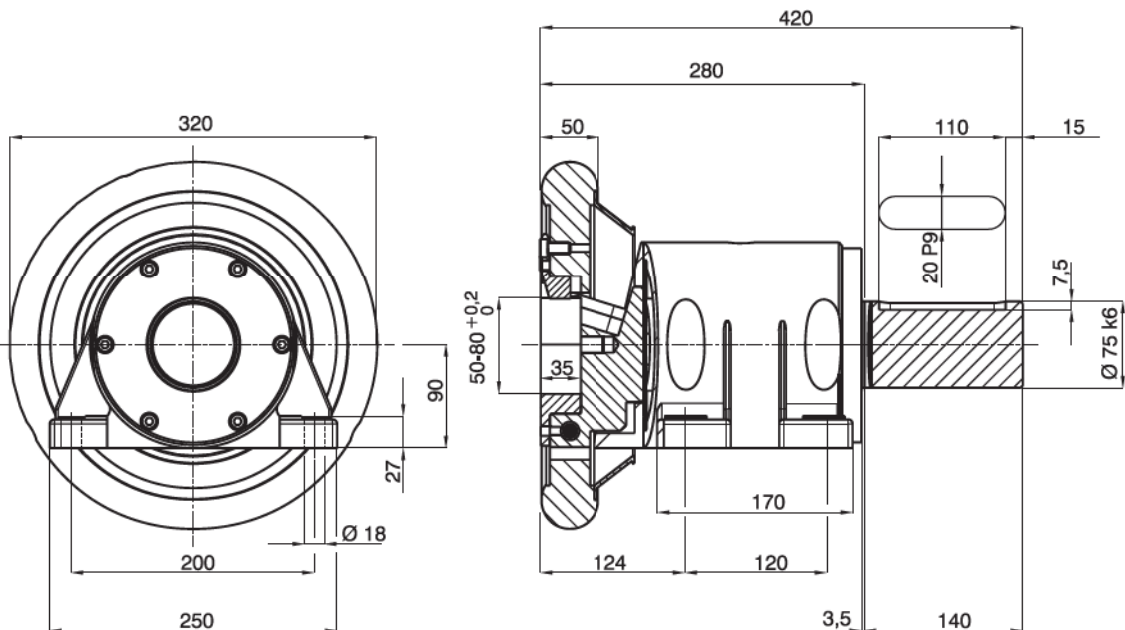
Boschert-Chuck 50-80 type VT



STW 50-80  
chuck with shaft end



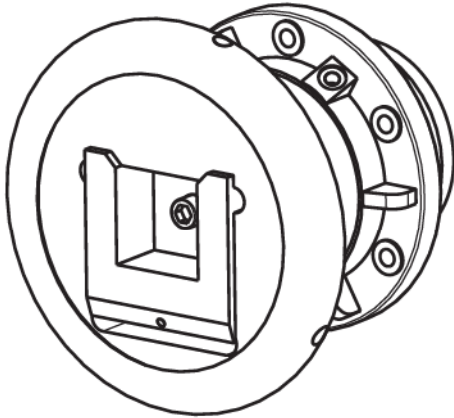
STO 50-80  
chuck without shaft end



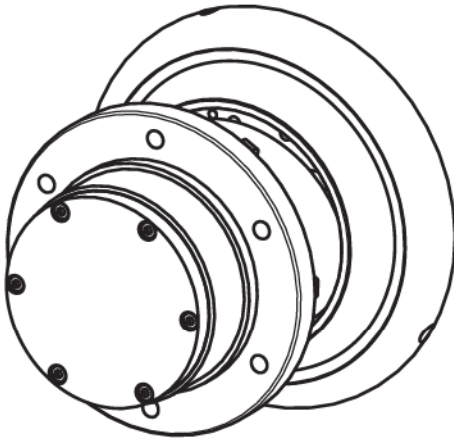
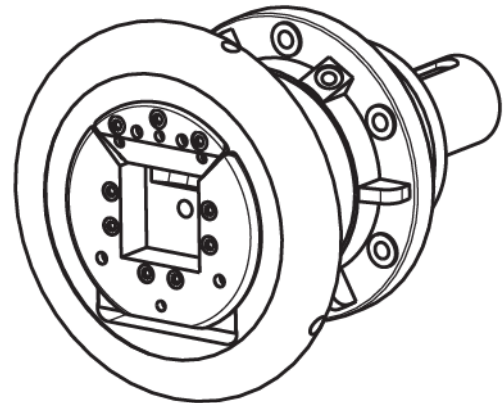
# Boschert-Chuck flange mounted chuck 50-80



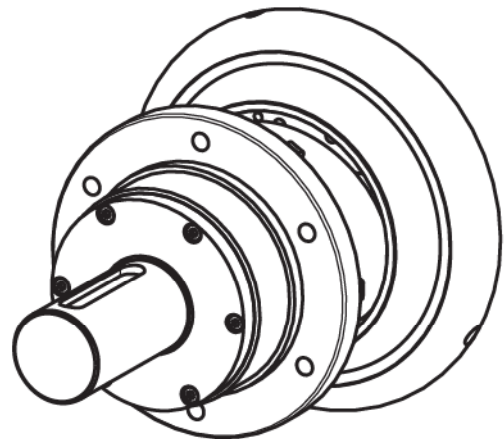
Boschert-Chuck 50-80 type C



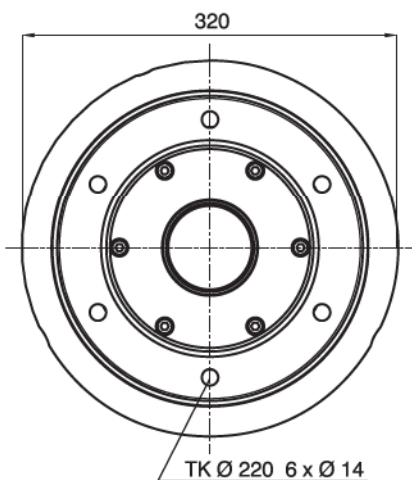
Boschert-Chuck 50-80 type VT



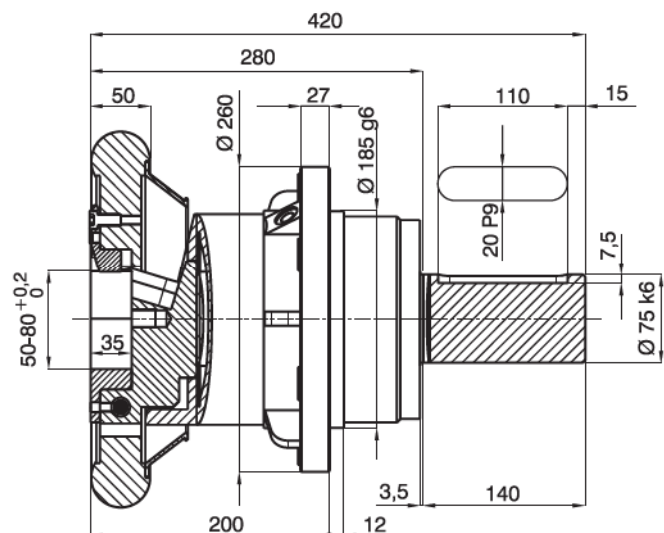
FLO 50-80  
chuck without shaft end



FLW 50-80  
chuck with shaft end



TK Ø 220 6 x Ø 14  
TK = bolt hole circle

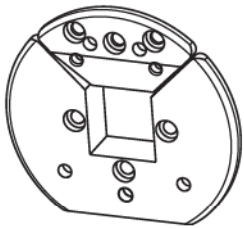


We recommend handwheel locks on applications in turret winders.

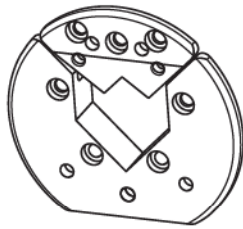
# Boschert-Chuck Options 50-80



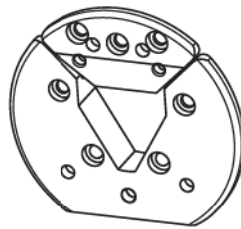
## VT-insert



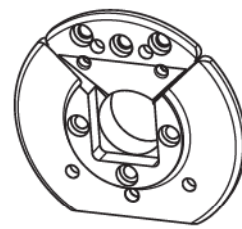
VT 1



VT 2



VT 6



VT 7

For VT2 and VT 6 a radial driver necessary. See information page 5.23

Info  
5.30

Info  
5.31

Info  
5.32

Info  
5.33

## Shaft ends



DSB



HRU

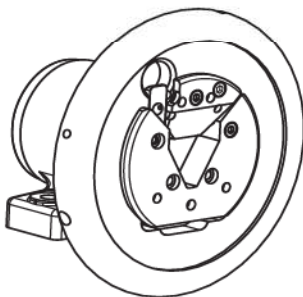
Info  
5.50

Above shaft ends are only available together with Boschert-components.

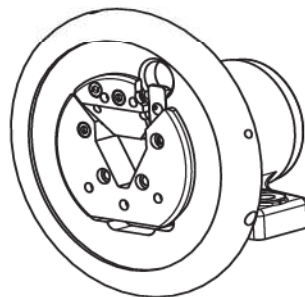
Special shaft ends on customer request

Max. shaft-dia.: Ø 80 mm  
(Special shaft without stop)

## Handwheel lock



HRV II left



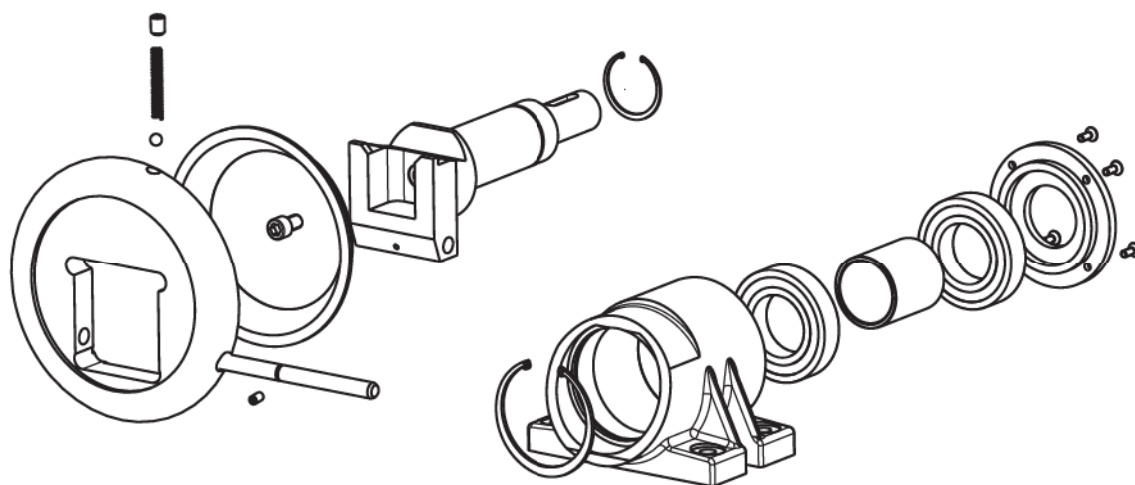
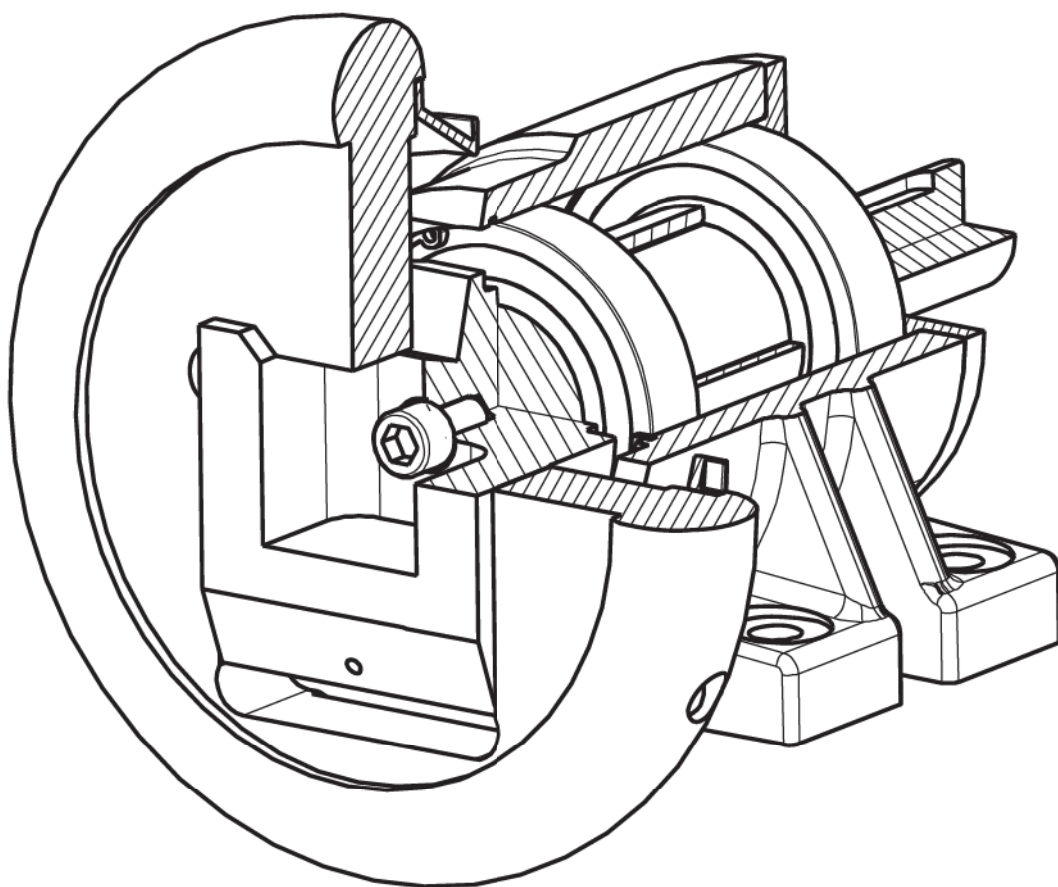
HRV II right

Info  
5.44

Info  
5.45

We recommend handwheel locks on applications in turret winders.

# Construction Boschert-Chuck type C



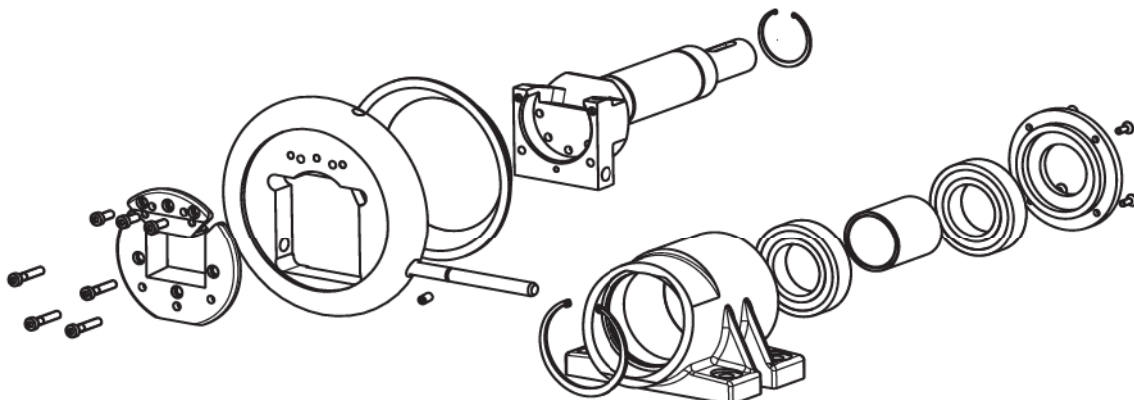
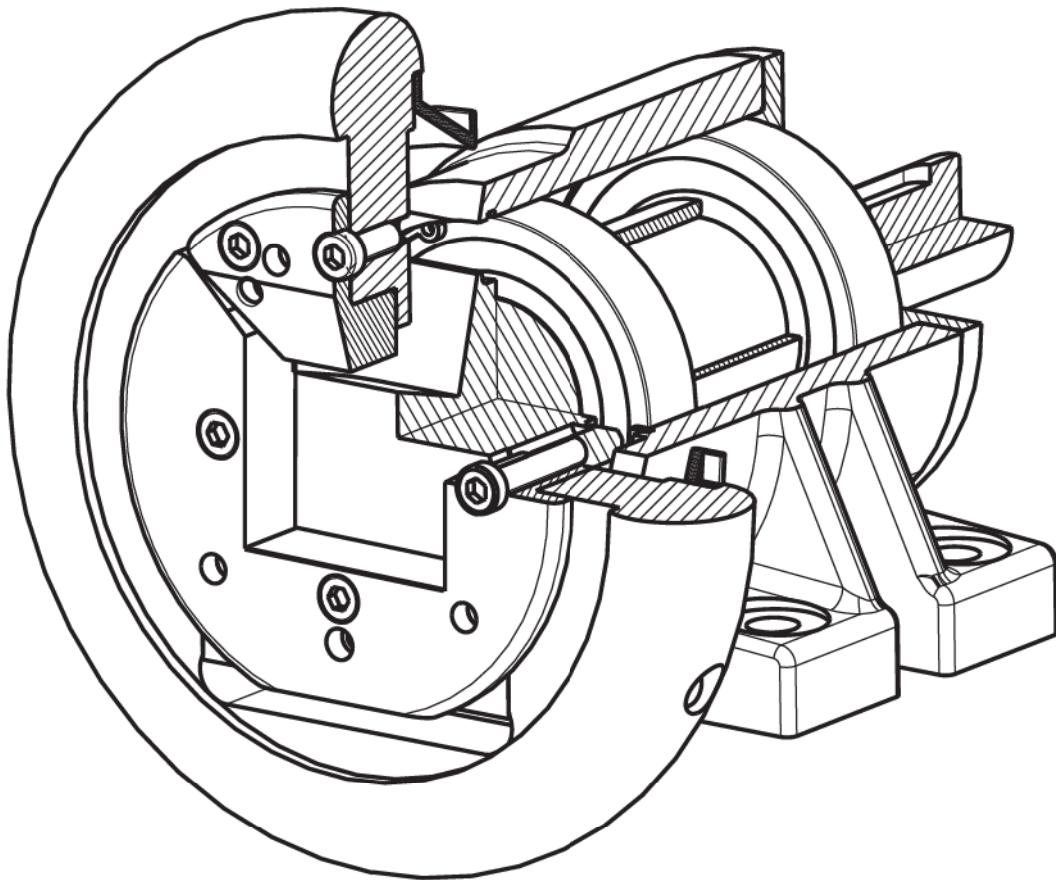
Mattenstraße 1  
79541 Lörrach-Hauingen

infokl@boschert.de  
www.boschert.de

Tel.: 07621 / 95 93 24 – 26  
Fax: 07621 / 55 184

2.54

# Construction Boschert-Chuck type VT



2.55

Mattenstraße 1  
79541 Lörrach-Hauingen

infokl@boschert.de  
www.boschert.de

Tel.: 07621 / 95 93 24 – 26  
Fax: 07621 / 55 184

Changes reserved (a)