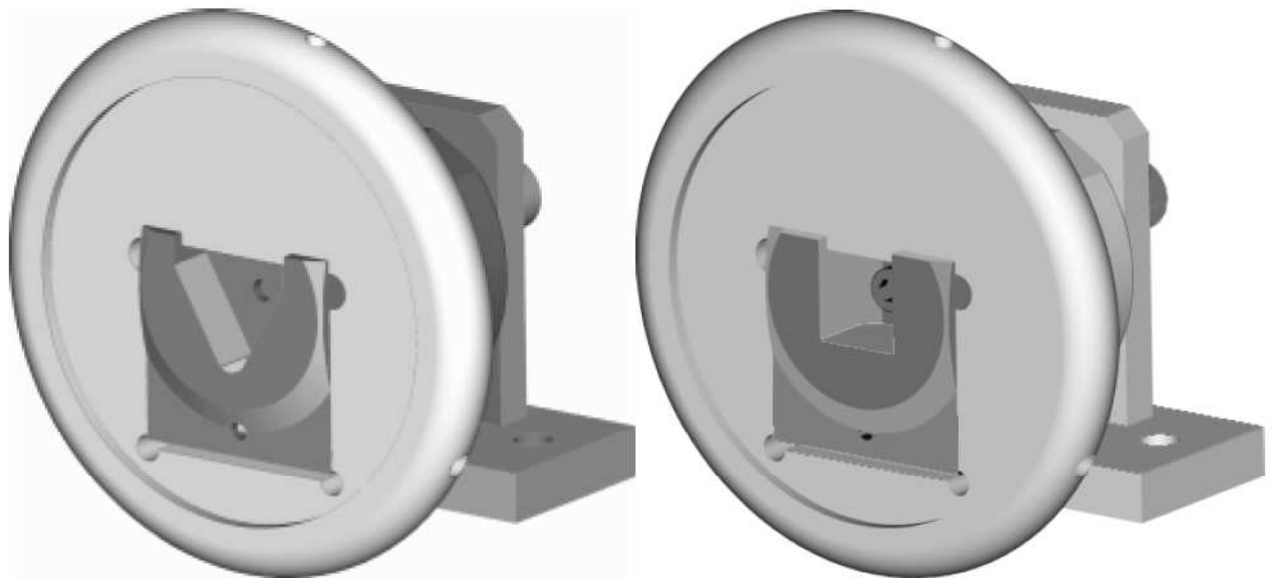


**Mini STO**  
**Mini STW**  
**Mini FLO**  
**Mini FLW**

**Boschert** foot mounted chuck without shaft end  
**Boschert** foot mounted chuck with shaft end  
**Boschert** flange mounted chuck without shaft end  
**Boschert** flange mounted chuck with shaft end



Beam weight max.:  max. 150 kg  (max. 330 lbs)  
 Square bar:  14 mm - 20 mm (0.5512" - 0.7874")  
 Torque:  40 Nm (29 ft/lb)

## Checkbox

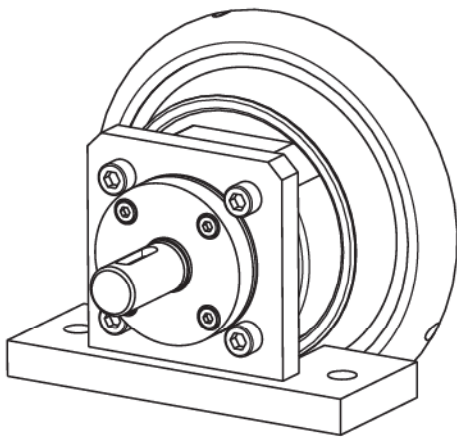
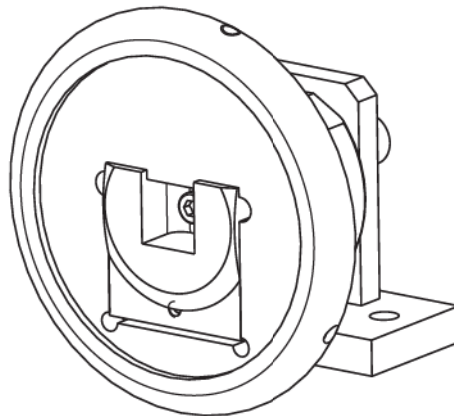
Options				Info
Journal shaft type:	<input type="checkbox"/> square bar	<input type="checkbox"/> triangle		2.03
Model:	<input type="checkbox"/> pillow block	<input type="checkbox"/> flange chuck	<input type="checkbox"/> 90° foot	2.01/2.02
	<input type="checkbox"/> opening angle ±30°			5.43
Shaft end:	<input type="checkbox"/> without	<input type="checkbox"/> standard shaft	<input type="checkbox"/> special	2.03
Add. parts:	<input type="checkbox"/> without	<input type="checkbox"/> brake	<input type="checkbox"/> clutch RU	6.00/7.00
Speed:	<input type="checkbox"/> <50 rpm	<input type="checkbox"/> 50 – 1000 rpm	<input type="checkbox"/> >1000 rpm	

Inquiry- and order form see chapter 9.00

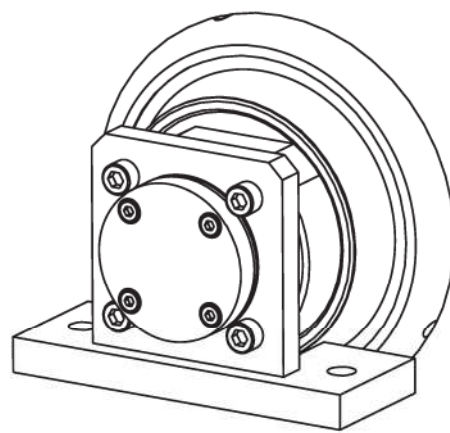
# Boschert-Chuck foot mounted chuck Mini



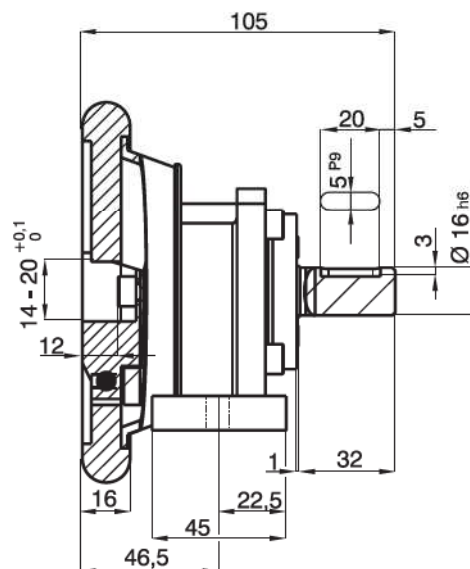
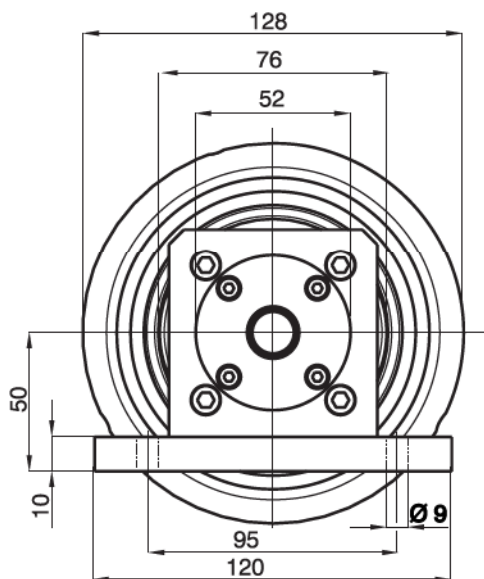
## Boschert Mini-Chuck type C



STW Mini  
chuck with shaft end



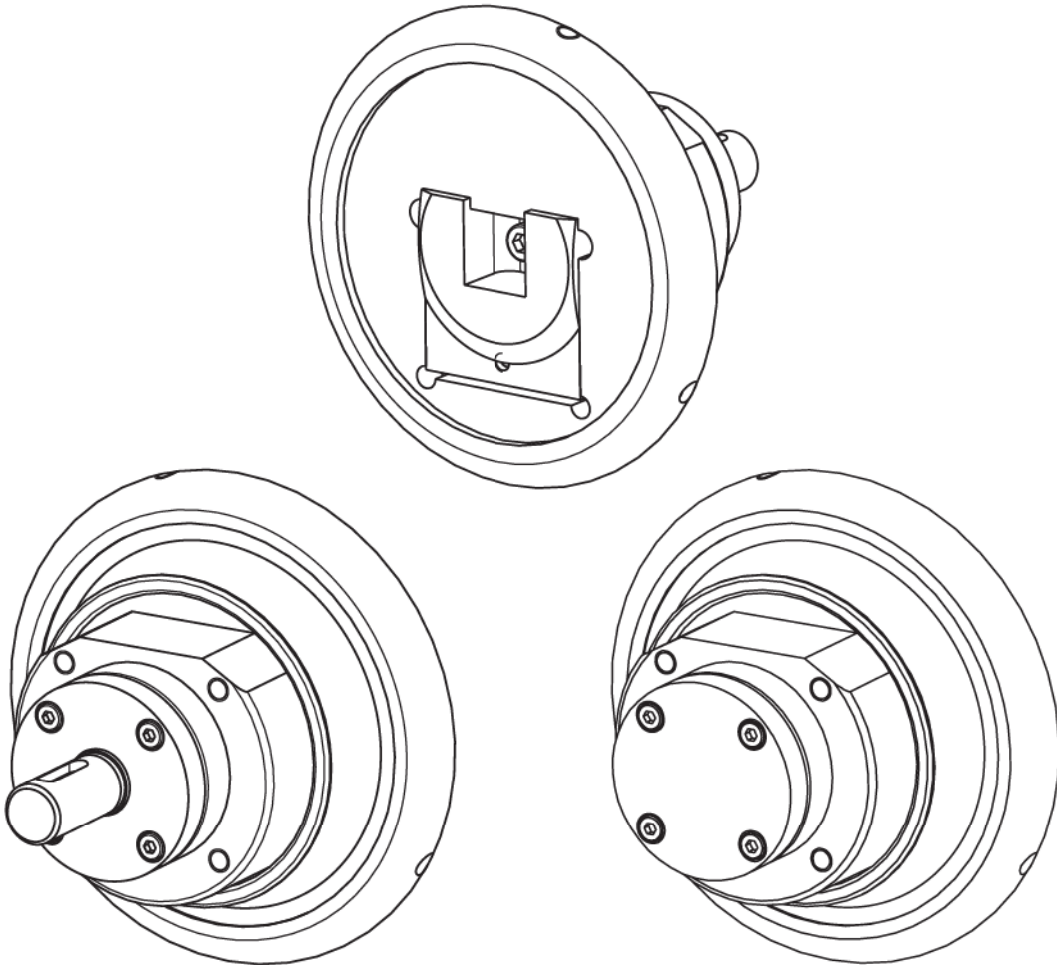
STO Mini  
chuck without shaft end



# Boschert-Chuck flange mounted chuck Mini

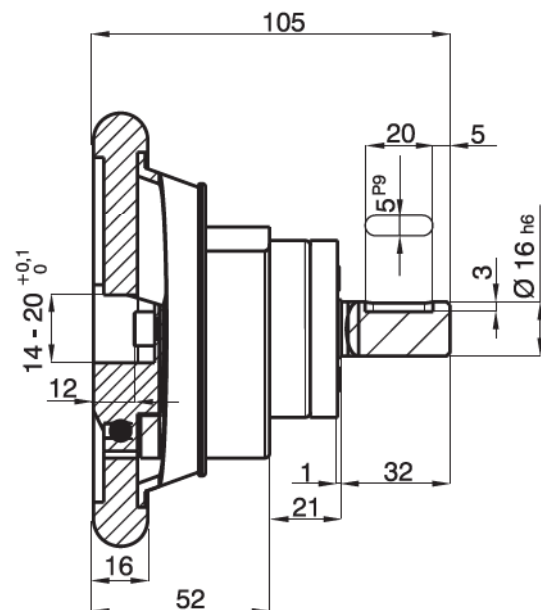
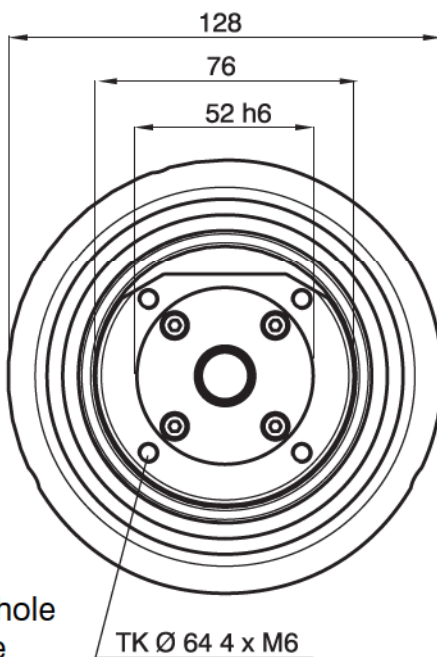


Boschert Mini-Chuck type C



FLW Mini  
chuck with shaft end

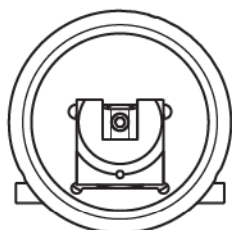
FLO Mini  
chuck without shaft end



# Boschert Chuck Options Mini



## Journal shaft type



square bar

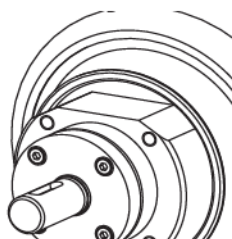


triangle

Info  
5.20

Info  
5.21

## Shaft ends



ESB - Mini



RU - Mini

Info  
5.50

Above shaft ends are only available together  
with Boschert-components.

special shaft ends on customers request

max. shaft-dia.:  $\varnothing$  17 mm  
(special shaft without stop)