

ROLLON[®]
BY TIMKEN

Curviline



TO SUPPORT YOU, WE DESIGN AND PRODUCE

An industrialized process with various levels
of customization



For over 40 years, Rollon has adopted an approach entailing responsibility and ethics in the design and production of our linear motion solutions for different industrial sectors. The reliability of an international technology group has now been combined with the availability of a local support and service network

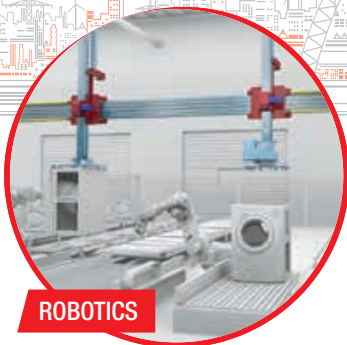


VALUES

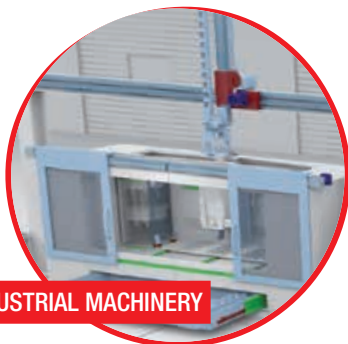
PERFORMANCE



Rollon's goal is to help our clients become more competitive in their markets through technological solutions, design simplification, productivity, reliability, duration, and low maintenance.



ROBOTICS



INDUSTRIAL MACHINERY



LOGISTICS

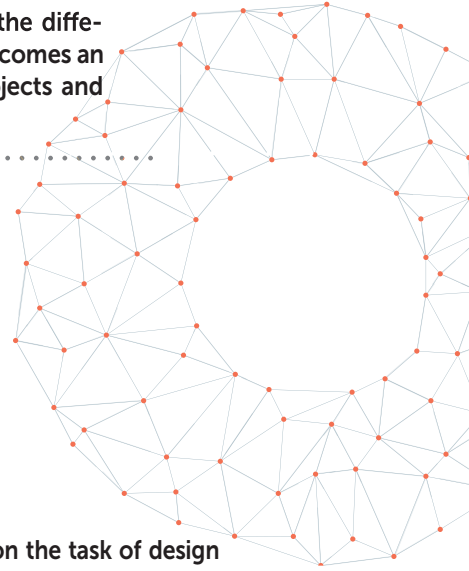


RAILWAY

COLLABORATION



High-level technical consulting and cross-competence allow us to identify the needs of our clients and transform them into guidelines for continuous exchange, while our strong specialization in the different industrial sectors becomes an factor in developing projects and innovative applications.



Rollon takes on the task of design and development of linear motion solutions, taking care of everything for our customers, so that they can concentrate on their core business. We offer everything from individual components to specifically designed, mechanically integrated systems: the quality of our applications is an expression of our technology and competence.

SOLUTIONS APPLICATIONS



INTERIORS AND ARCHITECTURE



MEDICAL



SPECIAL VEHICLES



AERONAUTICS

DIVERSIFIED LINEAR SOLUTIONS FOR EVERY APPLICATION REQUIREMENT

Linear and telescopic rails

Linear Line

Linear and curved rails with ball and roller bearings, with hardened raceways, high load capacity, self-alignment, and capable of working in dirty environments.

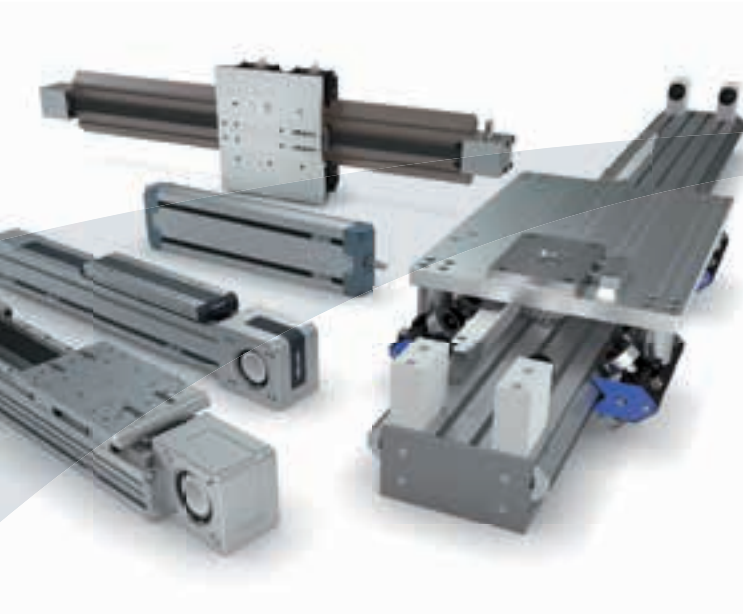


Telescopic Line

Telescopic rails with ball and roller bearings, with hardened raceways, high load capacities, low bending, resistant to shocks and vibrations. For partial, total or extended extraction up to 200% of the length of the guide.



Linear actuators and automation systems



Actuator Line

Linear actuators with different rail configurations and transmissions, available with belt, screw, or rack and pinion drives for different needs in terms of precision and speed. Rails with bearings or ball recycle systems for different load capacities and critical environments.



Actuator System Line

Integrated actuators for industrial automation, used in applications in several industrial sectors: automated industrial machinery, precision assembly lines, packaging lines and high speed production lines. The Actuator Line evolves to satisfy the requests of our most discerning clients.

> **Curviline**



1 Product explanation	
Curviline are curvilinear rails with constant and variable radii	CL-3
2 Technical data	
Performance characteristics and notes	CL-5
3 Product dimensions	
Rails with constant/variable radii with tempered raceways	CL-6
Slider, Mounted sliders and rails, Load capacities	CL-7
Rails with constant/variable radii in carbon steel	CL-8
Slider, Mounted sliders and rails, Load capacities	CL-9
Rails with constant/variable radii in stainless steel	CL-10
Slider in stainless steel, Rail-slider package in stainless steel, Load capacities	CL-11
4 Technical instructions	
Anticorrosive protection, Lubrication	CL-12
Setting the preload	CL-13
Ordering key	
Ordering key with explanations	CL-14

Product explanation



> Curviline are curvilinear rails for constant and variable radii



Fig. 1

Curviline is the name of the curvilinear rail product family that is used for all non-linear special movements. Rails with constant or variable radii may be specified according to customer requirements, resulting in a highly flexible, economical solution. Curviline is available in two rail widths.

The use of standard radii is recommended. All non-standard rail layouts and radii are possible as custom products, however extra lead time may result.

Preferred areas of application of the Curviline product family:

- Packaging machines
- Railway car interior doors
- Special extensions
- Shipbuilding (interior doors)
- Food industry

The most important characteristics:

- Straight and curved sections in one continuous rail is possible
- Sliders with four rollers arranged in pairs maintain the preload over the entire rail length
- Custom production according to customer requirements
- Also available in stainless steel

Constant radii

The layout of CKR guide rails corresponds to a partial section of a complete circle.

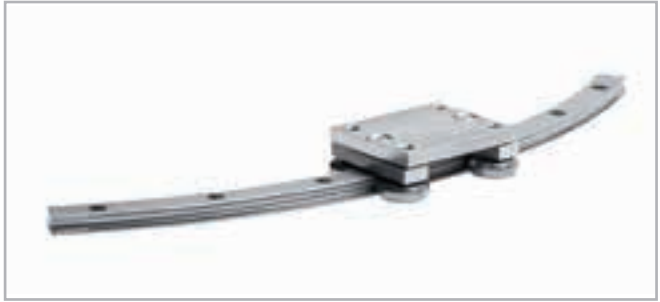


Fig. 2

Variable radii

CVR curvilinear rail is a combination of variable radii and straight sections.



Fig. 3

Straight rail

The linear rail Curviline is also available in its straight version.



Fig. 4

Slider

The carriage maintains the desired preload over the entire rail layout. Pivoting roller mounts coupled with concentric and eccentric rollers allows for a smooth operation over complex rail layouts.



Fig. 5

Technical data

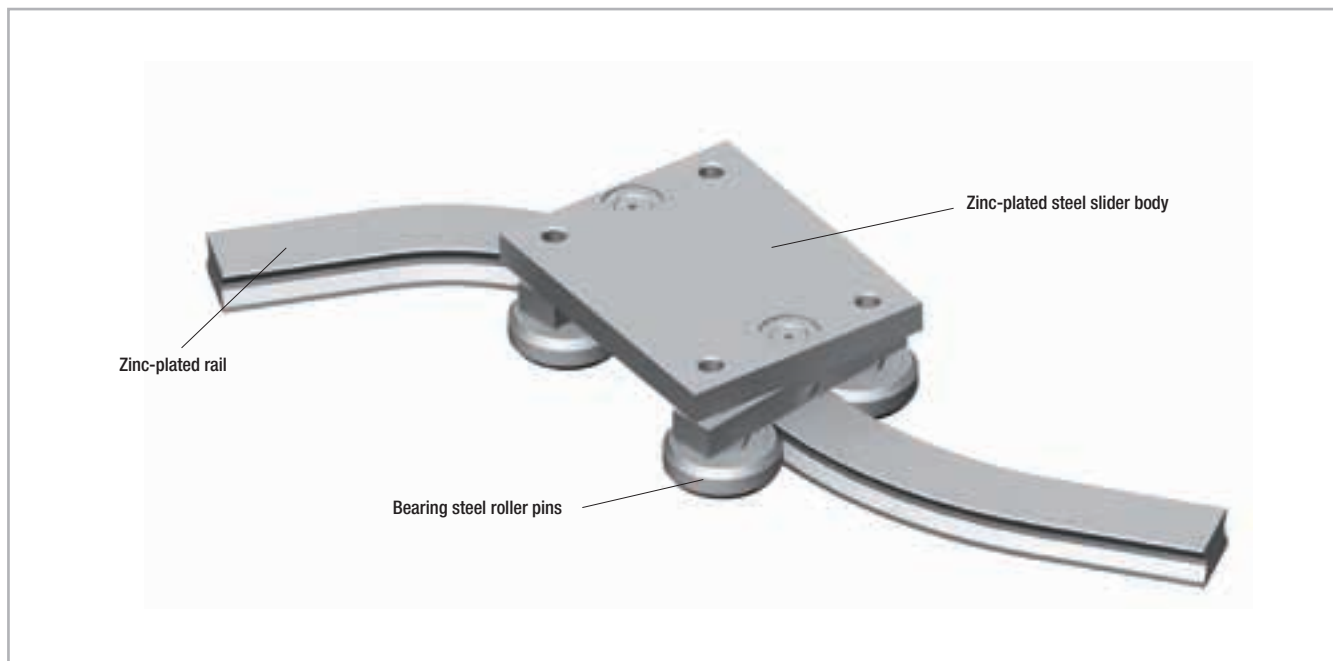


Fig. 6

Performance characteristics:

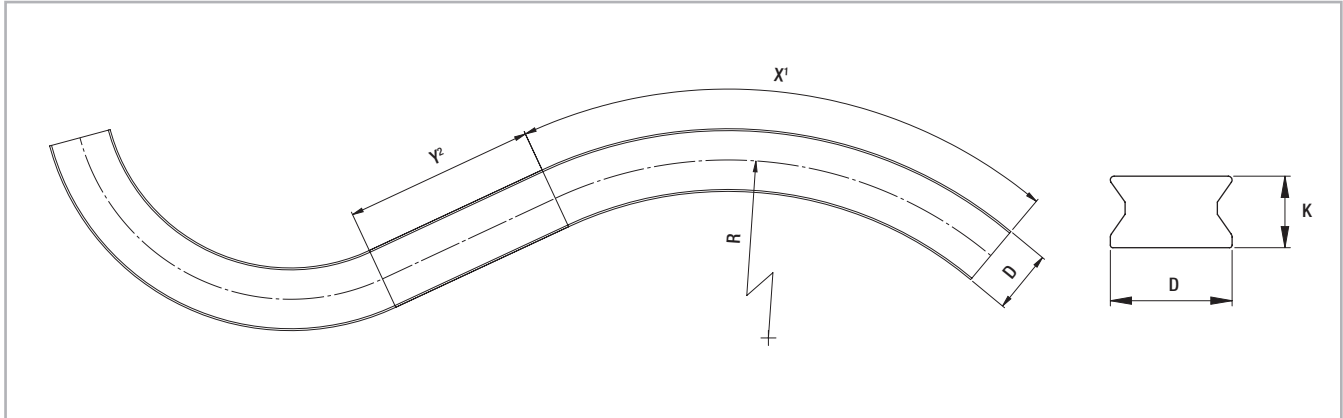
- Available rail widths: CKR01/CVR01: 16.5 mm (0.65 in) and CKR05/CVR05: 23 mm (0.91 in)
- Max. slider operating speed on the rail: 1.5 m/s (59 in/s) (depending on application)
- Max. acceleration: 2 m/s² (78 in/s²) (depending on application)
- Max. effective length of the rail: 3,240 mm (127.56 in)
- Max. traverse: CCT08: 3,170 mm (124.8 in) and CCT11: 3,140 mm (123.62 in)
- Minimum radius for stainless steel version and non-hardened version 120 mm
- Minimum radius for version with hardened raceways: 300 mm for section 01, 400 mm for size 05
For non-standard radii, please contact Rollon technical support.
- Radius tolerance +/- 0.5 mm (0.02 in), angle tolerance +/- 1°
- Temperature range: -20 °C to +80 °C (-4 °F to +176 °F)
- Rail and runner electrolytic zinc-plated and passivated (Rollon Alloy); increased anticorrosive protection on request (see pg. CL-12 Anticorrosive protection)
- Rail material: C43, AISI316L for the stainless steel version
- Slider body material: Fe360, AISI316L for the stainless steel version
- Radial ball bearing roller material: 100Cr6, AISI440 for the stainless steel version
- Rollers are lubricated for life

Remarks:

- With a simple adjustment of the eccentric roller (denoted with a marking on the bottom of the roller), the slider preload can be set to desired preload, including clearance.
- The recommended hole pitch is 80 mm (3.15 in) on the extended length
- Please indicate the precise rail layout and the desired hole pattern in a drawing
- Indicate if the design is a right or left version when ordering
- Joined rails are not recommended. For more information, please contact Rollon technical support.
- Resulting moment loads must be absorbed through the use of two sliders. For more information, please contact Rollon technical support.

Product dimensions

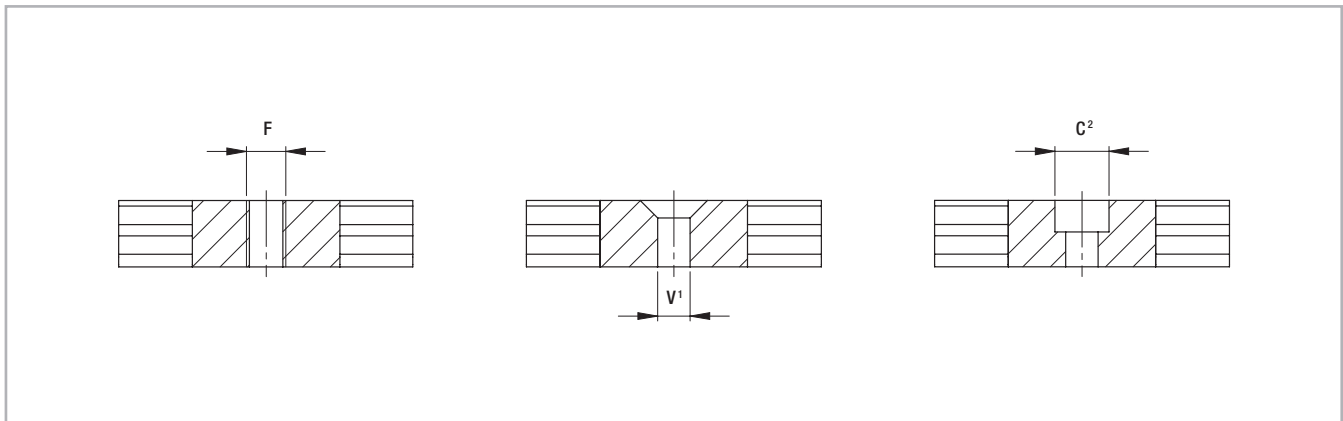
> Rails with constant/variable radii with tempered raceways



¹ The max. angle (X) is dependent on the radius

² For curvilinear rails with variable radii, Y must be at least 70 mm

Fig. 7



¹ Fixing holes (V) for countersunk head screws according to DIN 7991

² Fixing holes (C) for socket cap screws according to DIN 912

Fig. 8

Type	D [mm]	K [mm]	F	C ²	V ¹	X	Standard radii [mm]	Y [mm]	Weight [kg/m]
CKRH01 CVRH01	16,5	10	up to M6	up to M5	up to M5	dependent on radius	300* - 400 - 500 - 600 - 700 - 800 - 900 - 1000	min. 70	1,2
CKRH05 CVRH05	23	13,5	up to M8	up to M6	up to M6				2,2

* Only for size 01

Tab. 1

Please indicate the precise rail layout and the desired hole pattern in a drawing. We recommend 80 mm (3.15 in) on the extended length as a gage for the hole pattern.

Non-standard radii are possible as special products. For more information on rail layouts, radii and hole patterns, please contact Rollon Technical Support.

> Slider

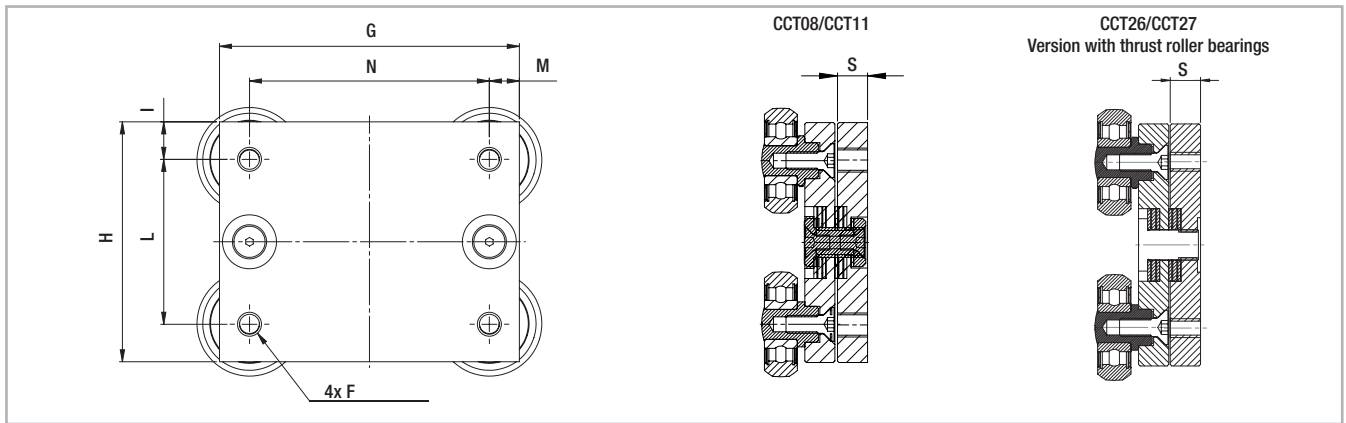


Fig. 9

Type	G [mm]	H [mm]	I [mm]	L [mm]	M [mm]	N [mm]	S [mm]	F	Weight [kg]
CCT08/CCT26	70	50	10	30	10	50	10	M5	0,45
CCT11/CCT27	100	80	12,5	55	10	80	10	M8	1,1

Tab. 2

> Mounted sliders and rails

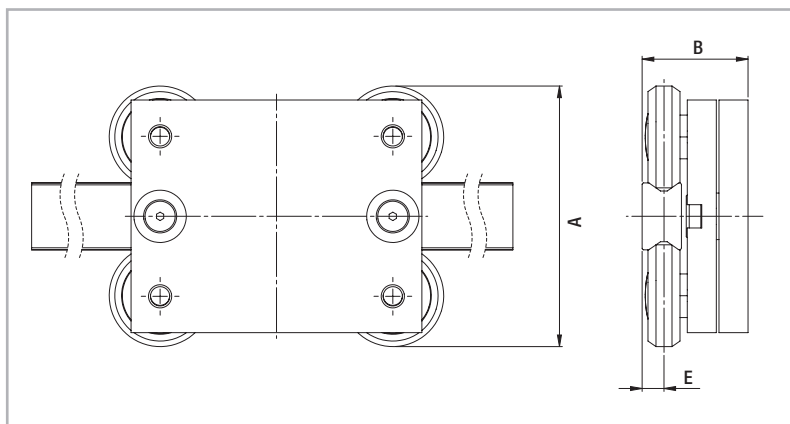


Fig. 10

Configuration	A [mm]	B [mm]	E [mm]
CKRH01-CCT08/CCT26 CVRH01-CCT08/CCT26	60	32,3	5,7
CKRH05-CCT11/CCT27 CVRH05-CCT11/CCT27	89,5	36,4	7,5

Tab. 3

> Load capacities

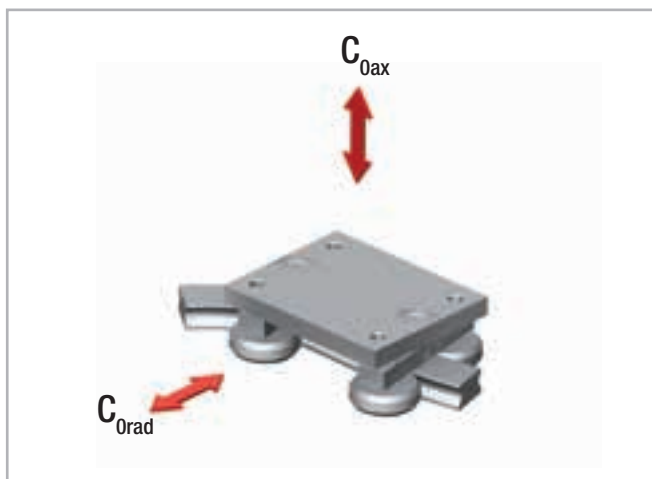


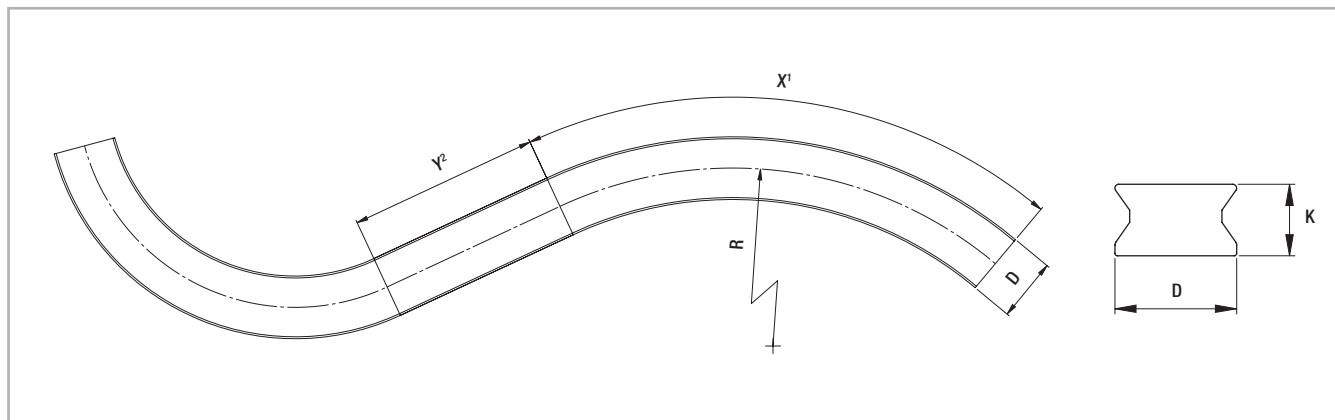
Fig. 11

Slider type	Load capacities	
	C _{0ax} [N]	C _{0rad} [N]
CKRH01-CCT08/CCT26 CVRH01-CCT08/CCT26	592	980
CKRH05-CCT11/CCT27 CVRH05-CCT11/CCT27	1459	2475

Resulting moment loads must be absorbed through the use of two sliders

Tab. 4

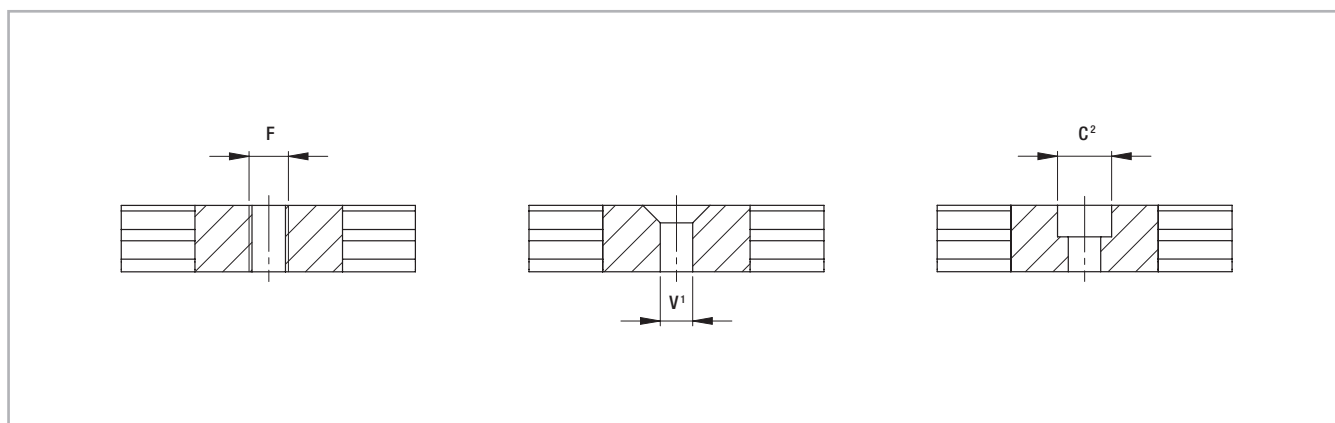
> Rails with constant/variable radii in carbon steel



¹ The max. angle (X) is dependent on the radius

² For curvilinear rails with variable radii, Y must be at least 70 mm

Fig. 12



¹ Fixing holes (V) for countersunk head screws according to DIN 7991

² Fixing holes (C) for socket cap screws according to DIN 912

Fig. 13

Type	D [mm]	K [mm]	F	C ²	V ¹	X	Standard radii [mm]	Y [mm]	Weight [kg/m]
CKR01 CVR01	16,5	10	up to M6	up to M5	up to M5	dependent on radius	150 - 200 - 250 - 300 - 400 - 500 - 600 - 700 - 800 - 900 - 1000	min. 70	1,2
CKR05 CVR05	23	13,5	up to M8	up to M6	up to M6				2,2

Tab. 5

Please indicate the precise rail layout and the desired hole pattern in a drawing. We recommend 80 mm (3.15 in) on the extended length as a gage for the hole pattern.

Non-standard radii are possible as special products. For more information on rail layouts, radii and hole patterns, please contact Rollon Technical Support.

> Slider

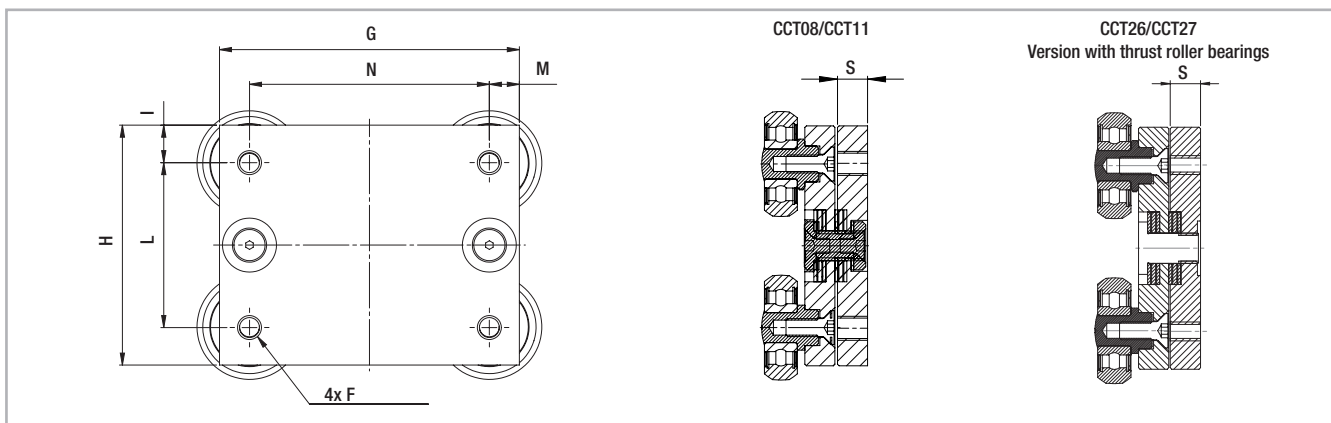


Fig. 14

Type	G [mm]	H [mm]	I [mm]	L [mm]	M [mm]	N [mm]	S [mm]	F	Weight [kg]
CCT08/CCT26	70	50	10	30	10	50	10	M5	0,45
CCT11/CCT27	100	80	12,5	55	10	80	10	M8	1,1

Tab. 6

> Mounted sliders and rails

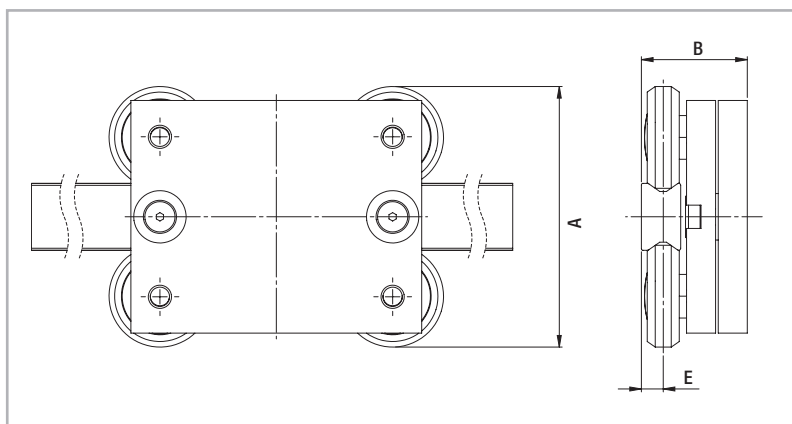


Fig. 15

Configuration	A [mm]	B [mm]	E [mm]
CKR01-CCT08/CCT26 CVR01-CCT08/CCT26	60	32,3	5,7
CKR05-CCT11/CCT27 CVR05-CCT11/CCT27	89,5	36,4	7,5

Tab. 7

> Load capacities

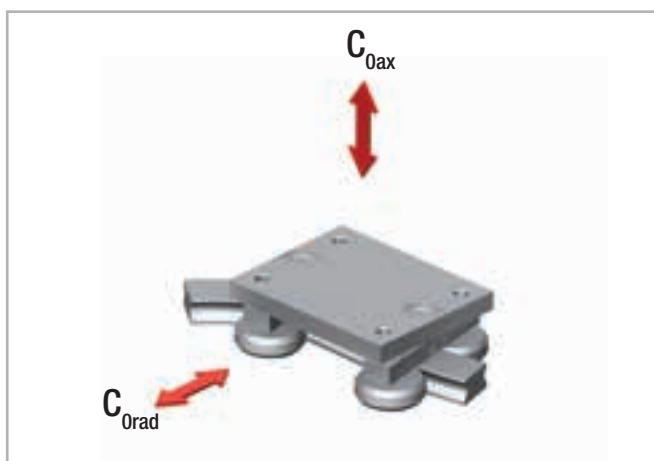


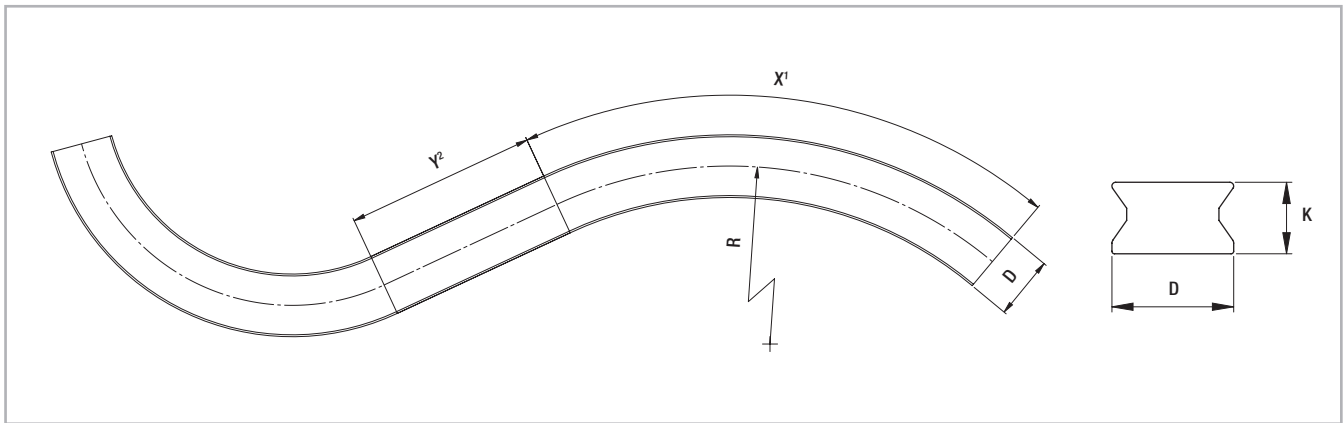
Fig. 16

Slider type	Load capacities	
	C _{0ax} [N]	C _{0rad} [N]
CKR01-CCT08/CCT26 CVR01-CCT08/CCT26	400	570
CKR05-CCT11/CCT27 CVR05-CCT11/CCT27	1130	1615

Resulting moment loads must be absorbed through the use of two sliders

Tab. 8

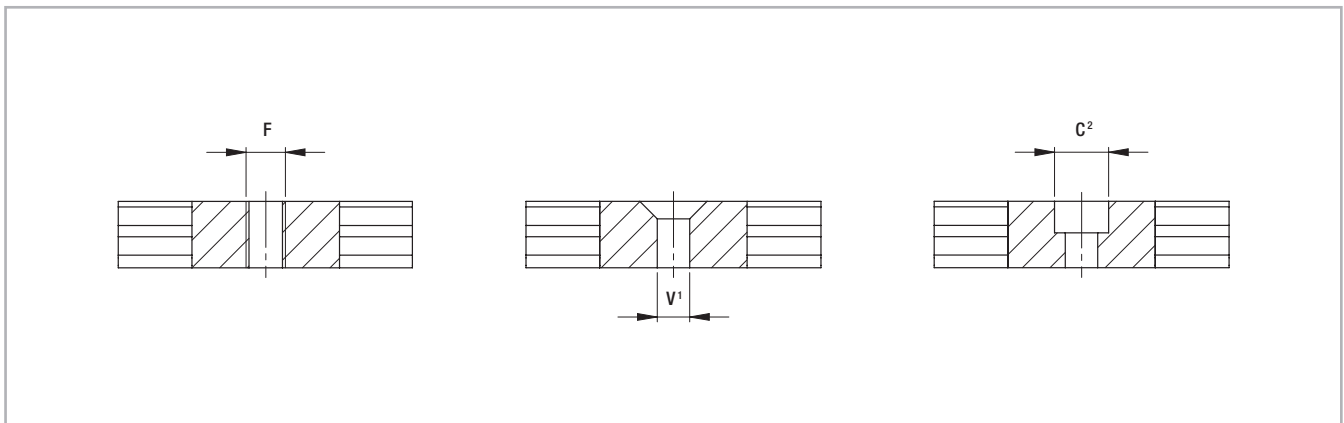
> Rails with constant/variable radii in stainless steel



¹ The max. angle (X) is dependent on the radius

² For curvilinear rails with variable radii, Y must be at least 70 mm

Fig. 17



¹ Fixing holes (V) for countersunk head screws according to DIN 7991

² Fixing holes (C) for socket cap screws according to DIN 912

Fig. 18

Type	D [mm]	K [mm]	F	C ²	V ¹	X	Standard radii [mm]	Y [mm]	Weight [kg/m]
CKRX01 CVRX01	16,5	10	up to M6	up to M5	up to M5	dependent on radius	150 - 200 - 250 - 300 - 400 - 500 - 600 - 700 - 800 - 900 - 1000	min. 70	1,2
CKRX05 CVRX05	23	13,5	up to M8	up to M6	up to M6				2,2

Tab. 9

Please indicate the precise rail layout and the desired hole pattern in a drawing. We recommend 80 mm (3.15 in) on the extended length as a gage for the hole pattern.

Non-standard radii are possible as special products. For more information on rail layouts, radii and hole patterns, please contact Rollon Technical Support.

> Slider in stainless steel

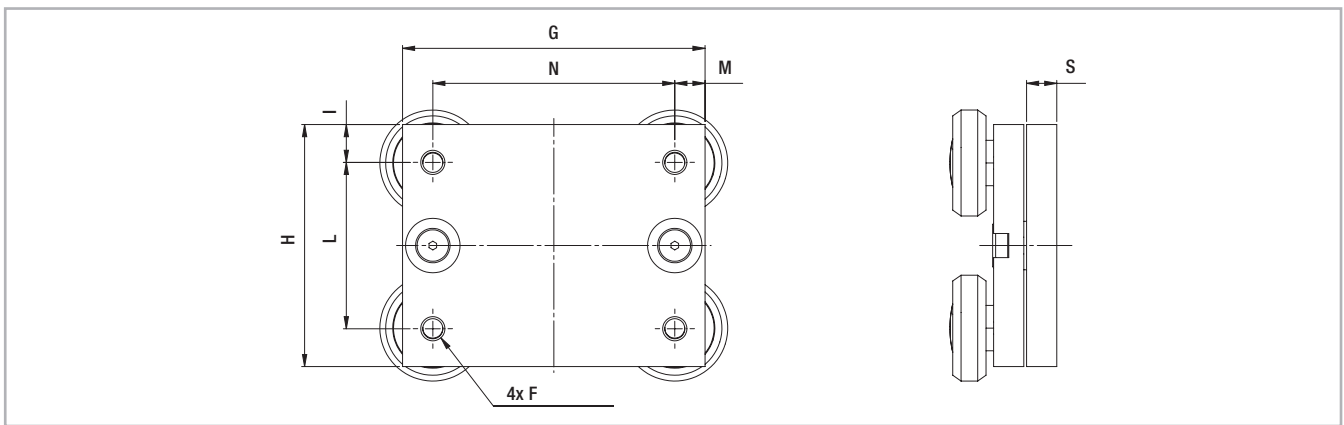


Fig. 19

Type	G [mm]	H [mm]	I [mm]	L [mm]	M [mm]	N [mm]	S [mm]	F	Weight [kg]
CCTX08	70	50	10	30	10	50	10	M5	0,45
CCTX11	100	80	12,5	55	10	80	10	M8	1,1

Tab. 10

> Rail-slider package in stainless steel

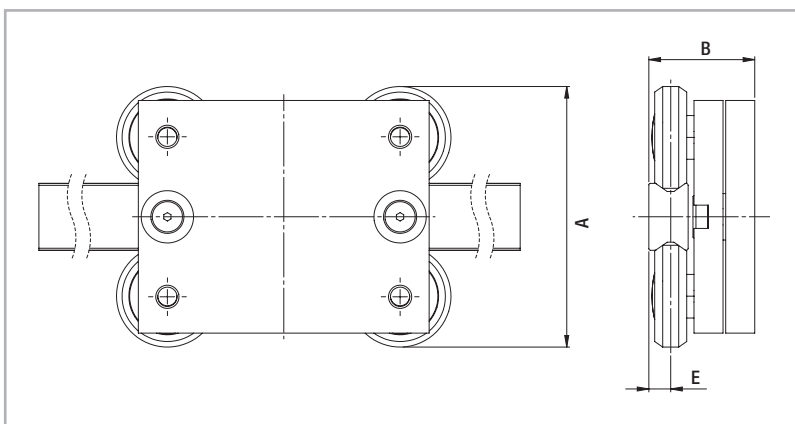


Fig. 20

Configuration	A [mm]	B [mm]	E [mm]
CKRX01-CCTX08 CVRX01-CCTX08	60	32,3	5,7
CKRX05-CCTX11 CVRX05-CCTX11	89,5	36,4	7,5

Tab. 11

> Load capacities

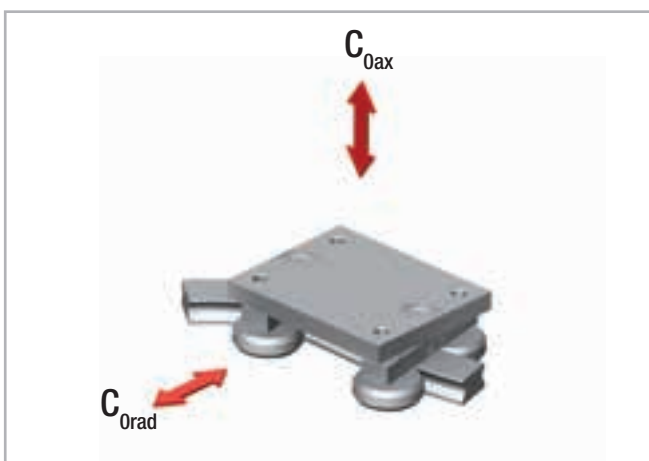


Fig. 21

Slider type	Load capacities	
	C_{0ax} [N]	C_{0rad} [N]
CKRX01-CCTX08 CVRX01-CCTX08	400	570
CKRX05-CCTX11 CVRX05-CCTX11	1130	1615

Resulting moment loads must be absorbed through the use of two sliders

Tab. 12

Technical instructions



> Anticorrosive protection

The Curviline product family comes standard with electrolytic zinc plating with passivation (RolonAloy) for anticorrosion protection. If increased anticorrosive protection is required, application-specific surface treatments

are available on request, e.g. as nickel-plated design with FDA approval for use in the food industry. The Curviline series is also available in stainless steel. For more information, please contact Rollon technical support.

> Lubrication

Roller lubrication

All rollers of the Curviline product family are lubricated for life.

Lubrication of the raceways

Rails must be lubricated before operation. Recommended lubrication intervals are heavily dependent upon the ambient conditions, speed and temperature. Under normal conditions, lubrication is recommended after 100 km operational performance or after an operating period of six months. In critical application cases the interval should be shorter. Please clean the raceways carefully before lubrication.

We recommend a roller bearing lubricant with a lithium base of average consistency.

Proper lubrication during normal conditions:

- reduces friction
- reduces wear
- reduces the load of the contact surfaces through elastic deformations
- reduces running noise

Different lubricants are available by request for special applications:

- FDA-approved lubricant for use in the food industry
- specific lubricant for clean rooms
- specific lubricant for the marine technology sector
- specific lubricant for high and low temperatures

For specific information, contact Rollon technical support.

> Setting the preload

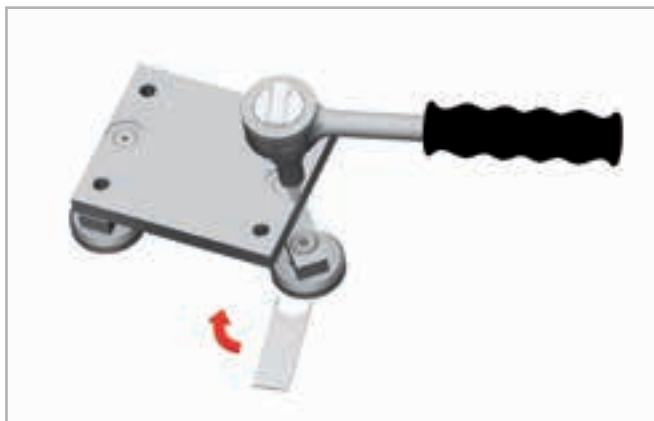


Fig. 22

If the curvilinear rails are delivered as a system, the sliders are already set with no clearance. In this case the fixing screws are secured with Loctite® at the factory.

If delivered separately, or if the sliders should be installed in another track, the eccentric roller pins must be readjusted. Important: The fixing screws must be additionally glued against loosening. The following points must also be observed:

- Wipe the raceways of any dirt and debris.
- Slightly loosen the fixing screws of the roller mounting.
The eccentric roller pins are marked on the bottom.
- Position the slider(s) at the ends of the rail.
- The special flat key provided is inserted from the side onto the hexagonal of the roller to be set (see fig. 22).

Type	Tightening torque [Nm]
CCT08	7
CCT11	12

Tab. 13

- By turning the flat key clockwise the roller is pressed against the raceway and thus reduces the clearance. Observe that with increasing preload, the friction is also increased and thus the service life reduced.
- Hold the roller pin with the adjustment key in the desired position and carefully tighten the fixing screw. The exact tightening torque will be checked later.
- Move the slider on the rail and check the preload over the entire length of the rail. It should move easily and the slider should not have play at any location of the rail.
- Now tighten the fixing screws with the specified tightening torque (see tab. 13), while the flat key holds the angle adjustment of the pin. A special thread in the roller pin secures the set position.

Ordering key

> Constant radius rail / slider system

CKR01	85°	600	890	/2/	CCT08	NIC	R	
								Right or left version
								Expanded surface protection if deviation from Standard <i>see pg. CL-12 Anticorrosion protection</i>
								Slider type <i>see pg. CL-7, tab. 3 ; CL-9, tab.7 ; CL-11, tab.11</i>
								Number of sliders
								Rails extended length
								Radius <i>see pg. CL-6, tab. 1 ; CL-8, tab. 5 ; CL-10, tab. 9</i>
								Angle
								Rail type <i>see pg. CL-6, tab. 1 ; CL-8, tab. 5 ; CL-10, tab. 9</i>

Ordering example: CKR01-085°-0600-0890/2/CCT08-NIC-R

Note: Information for right and left side installation and for expanded surface protection is only necessary if required

Notes on ordering: Rail lengths and radii always are indicated with four digits, angles always with three digits and a zero as prefix

Exact specifications (angle, radius, hole pattern, etc.) must be represented in a drawing

> Variable radius rail / slider system

CVR01	39°	200	//23°	400	297	/2/	CCT08	NIC	R
									Right or left version
									Expanded surface protection if deviation from Standard <i>see pg. CL-8 Anticorrosion protection</i>
									Slider type <i>see pg. CL-7, tab. 3 ; CL-9, tab.7 ; CL-11, tab.11</i>
									Number of sliders
									Rails extended length
									Radius <i>see pg. CL-6, tab. 1 ; CL-8, tab. 5 ; CL-10, tab. 9</i>
									Angle
									Radius <i>see pg. CL-6, tab. 1 ; CL-8, tab. 5 ; CL-10, tab. 9</i>
									Angle
									Rail type <i>see pg. CL-6, tab. 1 ; CL-8, tab. 5 ; CL-10, tab. 9</i>

Ordering example: CVR01-039°-0200//023°-0400-0297/2/CCT08-NIC-R

Note: Data for angles and respective radii are in sequential order

Note: Information for right and left side installation and for expanded surface protection is only necessary if required

Notes on ordering: Rail lengths and radii always are indicated with four digits, angles always with three digits and a zero as prefix

Exact specifications (layout, angle, radius, hole pattern, etc.) must be represented in a drawing

> **Constant radius rails**

CKR01	120°	600	1152	NIC	R	
						Right or left version
						Expanded surface protection if deviation from Standard <i>see pg. CL-12 Anticorrosion protection</i>
						Rails extended length
		Radius	<i>see pg. CL-6, tab. 1 ; CL-8, tab. 5 ; CL-10, tab. 9</i>			
	Angle					
Rail type	<i>see pg. CL-6, tab. 1 ; CL-8, tab. 5 ; CL-10, tab. 9</i>					

Ordering example: CKR01-120°-0600-1152-NIC-R

Note: Information for right and left side installation and for expanded surface protection is only necessary if required

Notes on ordering: Rail lengths and radii always are indicated with four digits, angles always with three digits and a zero as prefix

Exact specifications (angle, radius, hole pattern, etc.) must be represented in a drawing

> **Variable radius rails**

CVR01	39°	200	//23°	400	297	NIC	R
							Right or left version
							Expanded surface protection if deviation from Standard <i>see pg. CL-12 Anticorrosion protection</i>
							Rails extended length
		Radius	<i>see pg. CL-6, tab. 1 ; CL-8, tab. 5 ; CL-10, tab. 9</i>				
	Angle						
	Radius	<i>see pg. CL-6, tab. 1 ; CL-8, tab. 5 ; CL-10, tab. 9</i>					
	Angle						
Rail type	<i>see pg. CL-6, tab. 1 ; CL-8, tab. 5 ; CL-10, tab. 9</i>						

Ordering example: CVR01-039°-0200//023°-0400-0297-NIC-R

Note: Data for various angles and respective radii are in sequential order

Note: Information for right and left side installation and for expanded surface protection is only necessary if required

Notes on ordering: Rail lengths and radii always are indicated with four digits, angles always with three digits and a zero as prefix

Exact specifications (layout, angle, radius, hole pattern, etc.) must be represented in a drawing

> **Slider**

CCT08	NIC	
	Expanded surface protection if deviation from Standard	<i>see pg. CL-12 Anticorrosion protection</i>
Slider type	<i>see pg. CL-7, tab. 3 ; CL-9, tab.7 ; CL-11, tab.11</i>	

Ordering example: CCT08-NIC

Note: Information for expanded surface protection are only necessary when needed



Follow us:



● Rollon Branches & Rep. Offices
● Distributors

EUROPE

ROLLON S.p.A. - ITALY (Headquarters)



Via Trieste 26
I-20871 Vimercate (MB)
Phone: (+39) 039 62 59 1
www.rollon.it - infocom@rollon.it

ROLLON GmbH - GERMANY



Bonner Strasse 317-319
D-40589 Düsseldorf
Phone: (+49) 211 95 747 0
www.rollon.de - info@rollon.de

ROLLON S.A.R.L. - FRANCE



Les Jardins d'Eole, 2 allée des Séquoias
F-69760 Limonest
Phone: (+33) (0) 4 74 71 93 30
www.rollon.fr - infocom@rollon.fr

ROLLON S.p.A. - RUSSIA (Rep. Office)



117105, Moscow, Varshavskoye
shosse 17, building 1
Phone: +7 (495) 508-10-70
www.rollon.ru - info@rollon.ru

ROLLON Ltd - UK (Rep. Office)



The Works 6 West Street Olney
Buckinghamshire, United Kingdom, MK46 5 HR
Phone: +44 (0) 1234964024
www.rollon.uk.com - info@rollon.uk.com

AMERICA

ROLLON Corporation - USA



101 Bilby Road. Suite B
Hackettstown, NJ 07840
Phone: (+1) 973 300 5492
www.rollon.com - info@rolloncorp.com

ROLLON - SOUTH AMERICA



101 Bilby Road. Suite B
Hackettstown, NJ 07840
Phone: (+1) 973 300 5492
www.rollon.com - info@rolloncorp.com

ASIA

ROLLON Ltd - CHINA



No. 1155 Pang Jin Road,
China, Suzhou, 215200
Phone: +86 0512 6392 1625
www.rollon.cn.com - info@rollon.cn.com

ROLLON India Pvt. Ltd. - INDIA



1st floor, Regus Gem Business Centre, 26/1
Hosur Road, Bommanahalli, Bangalore 560068
Phone: (+91) 80 67027066
www.rollonindia.in - info@rollonindia.in

ROLLON - JAPAN

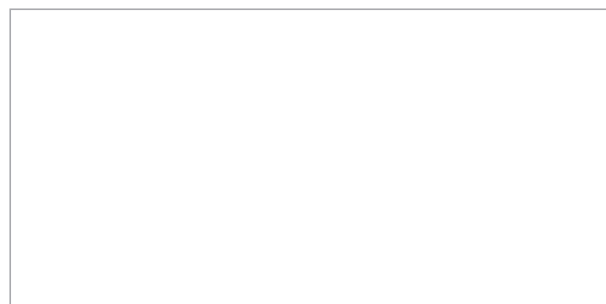


3F Shiodome Building, 1-2-20 Kaigan, Minato-ku,
Tokyo 105-0022 Japan
Phone +81 3 6721 8487
www.rollon.jp - info@rollon.jp

Consult the other ranges of products



Distributor



All addresses of our global sales partners can also be found at www.rollon.com

The content of this document and its use are subject to the general terms of sale of ROLLON available on the web site www.rollon.com
Changes and errors expected. The text and images may be used only with our permission.