



### PROPERTIES

#### MATERIAL

- ▶ **Clutch system:** high strength steel, drive balls made from hardened steel
- ▶ **Hubs:** high strength aluminum
- ▶ **Elastomer insert:** wear resistant, thermally stable TPU

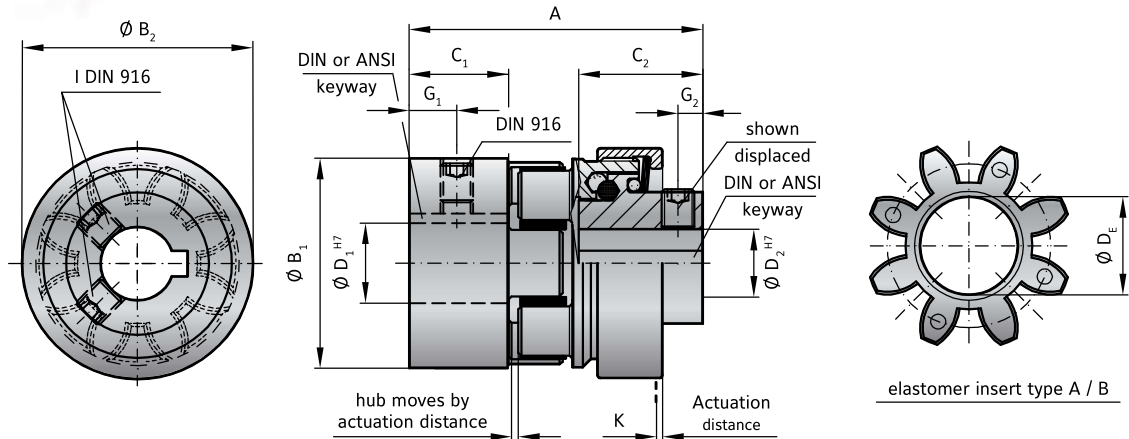
#### DESIGN

Two hubs, each with keyway, set screw, and concave driving jaws. The clutch system is integrated into one of the hubs.

#### DISENGAGEMENT

Negligible wear at up to 200 rpm. Contact R+W for higher speed applications.

DETAILS FOR ELASTOMER INSERT see page 66/67



## MODEL ESL

Size		5		10		20		60		150	
Type (Elastomer insert)		A	B	A	B	A	B	A	B	A	B
Rated torque (Nm)	$T_{kn}$	9	12	12.5	16	17	21	60	75	160	200
Torque setting possible* from - to (Nm)	$T_{kn}$	1-6		1-12		3-19		5-60		20-150	
Overall length (mm)	A	34		45		64		80		90	
Diameter of the hub (mm)	$B_1$	25		32		42		56		66.5	
Diameter of the hub (mm)	$B_2$	29		32		46		59		75	
Clamping fit length (mm)	$C_1$	12.5		12		25		30		35	
Clamping fit length (mm)	$C_2$	11.5		20		22		31		35	
Inside diameter from $\varnothing$ to $\varnothing$ H7 (mm)	$D_1$	6-15		6-18		8-25		12-32		19-38	
Inside diameter from $\varnothing$ to $\varnothing$ H7 (mm)	$D_2$	6-10		6-12		8-19		12-24		19-32	
Inside diameter max. (elastomer) (mm)	$D_E$	10.5		14.2		19.2		26.2		29.2	
Distance (mm)	$G_1$	5		6		9		11		12	
Distance (mm)	$G_2$	2.5		3.5		4		4		4	
Screws DIN 916**	I	depending on bore diameter see below table									
Approx. weight (kg)		0.05		0.15		0.2		0.5		1	
Moment of inertia ( $10^{-3} \text{ kgm}^2$ )	$J_1/J_2$	0.01		0.02		0.08		0.15		0.5	
Actuation distance (mm)	K	0.6		0.6		0.7		1.1		1.4	

\* Disengagement torque is permanently set at the factory. For information on shaft misalignment, torsional stiffness, and other details about the elastomer inserts see page 70.

ORDERING EXAMPLE	ESL	10	A	14	12	10	XX
Model	●						Special designation only (e.g. special bore tolerance).
Size		●					
Elastomer insert type			●				
Bore D1 H7 includes standard keyway				●			
Bore D2 H7 includes standard keyway					●		
Disengagement torque Nm (not adjustable)						●	
For custom features place an XX at the end of the part number and describe the special requirements (e.g. ESL / 10 / A / 14 / 12 / 10 / XX; XX=stainless steel)							

### FIXED DISENGAGEMENT TORQUE

The ESL coupling is unlike other R+W safety couplings in that the disengagement torque is permanently set and tamper proof.

#### \*\* SET SCREWS

D1/D2	- $\varnothing$ 10	$\varnothing$ 11-12	$\varnothing$ 13-30	$\varnothing$ 31-58	$\varnothing$ 59-80
I	M3	M4	M5	M8	M10

Bores <6mm made without keyway.