

# LOGIC *touch-basic-IL*

Product Rev0

Document Rev2



## 1 Description

The handswitch LOGICtouch-Basic-IL is part of the LOGICdrive system for electrically height-adjustable desks. The modern design with the flat surface blends almost seamlessly into the table top. The large keypad turns the intuitive handling into a convenient pleasure. The handswitch can be customized to meet individual requirements.

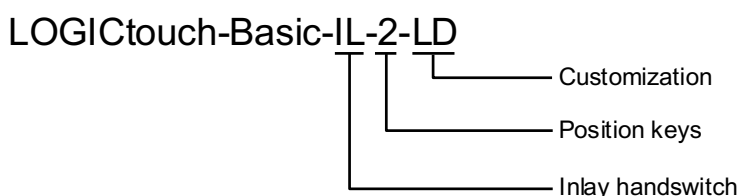
## 2 Technical data

The handswitch is exclusively suitable for use with a LOGICdrive system by LOGICDATA.

Technical data	
Supply voltage	5 V DC $\pm$ 500 mV
Average power consumption	< 1 mA
Maximum switching current	50 mA
Operating life (switching cycles)	10 000
Ambient temperature during operation	+5 to +40 °C
Air humidity during operation	10 to 85 %, non-condensing, dew point at +27 °C
Ambient temperature during storage and transport	-25 °C to +70 °C
Air humidity during storage and transport	5 to 90 %, non-condensing, dew point at +38 °C
Cable length	800 mm $\pm$ 10 mm
Dimensions in mm (l $\times$ w $\times$ h)	30.4 $\times$ 67.8 $\times$ 20.5
Weight including cable	39 g
Degree of protection	IP20

Table 1: Technical data.

## 3 Order code



Please contact LOGICDATA for any information about customizations of *LOGICtouch-basic-IL*.

## 4 Dimensions

All tolerances according to DIN ISO 2768-1.

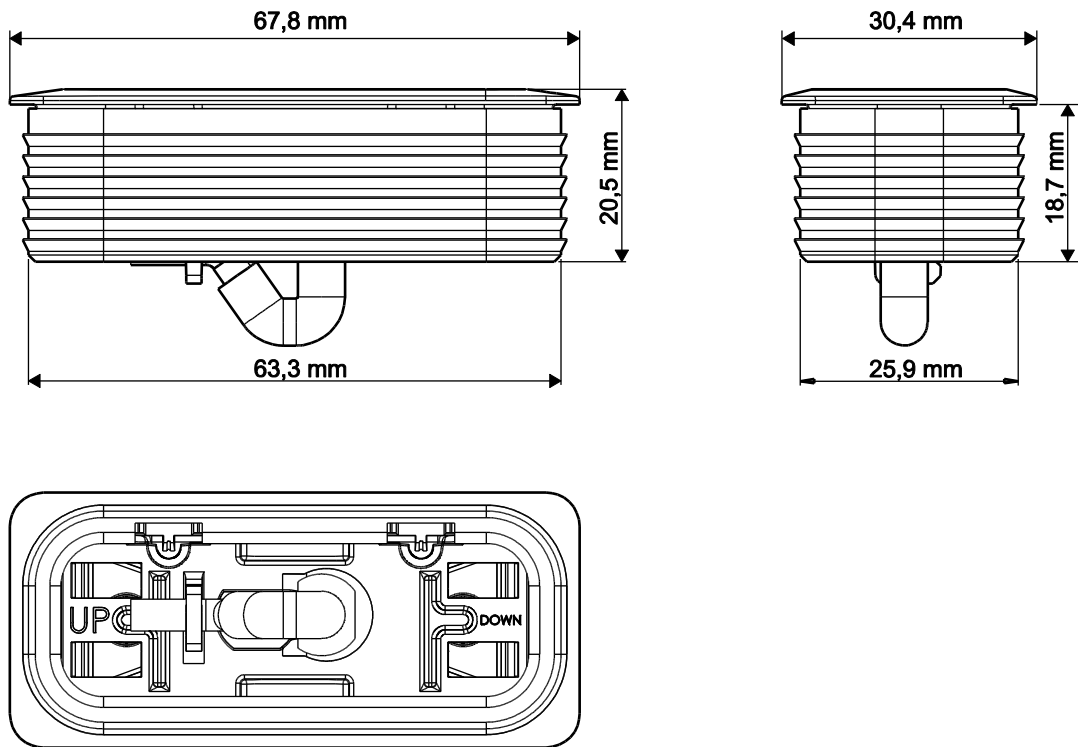


Figure 1: Dimensions.

LOGICtouch-basic-IL is equipped with rubber flaps for easy, screwless mounting. In order to mount the handswitch, mill a cut-out into the table top according to the following template:

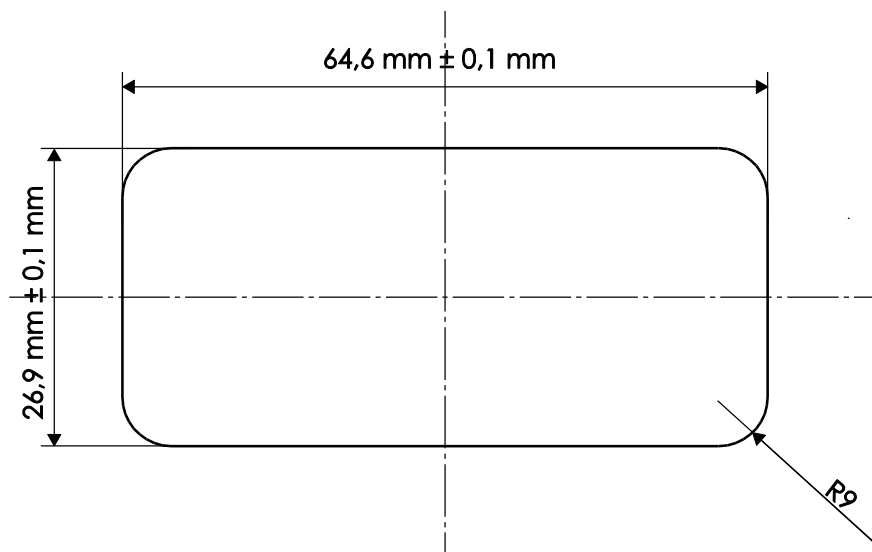


Figure 2: Milling template.

## 5 Safety

### **⚠ DANGER Electrical hazard**

When the handswitch is connected to the power supply, electrical power is applied to the connectors and the inner parts of the handswitch. Contact with live components can cause severe injury.

Always comply with the following safety rules to avoid injury:

- Never open the casing of the device under any circumstances, and do not attempt to repair or modify the device.
- Only use the provided cables.
- Never use with a damaged cable or plug.
- Never immerse the components into any liquid. Keep the cable and the handswitch away from hot surfaces.
- Before cleaning the handswitch, always disconnect it from the power supply.

### **⚠ WARNING Risk of crushing or pinching during operation**

While adjusting the height of the desk, there is a high risk of crushing or pinching between the desk and objects under, above or next to the desk.

Make sure that the danger area is clear of people, pets or obstacles! The handswitch may only be installed in a position where the entire danger zone is visible during operation.

### **⚠ CAUTION Damage caused by ESD**

Electrostatic Discharge (ESD) can cause immediate or latent damage to electronic circuits. Please note that we cannot accept any liability for damage caused by ESD. To avoid damage of electronic components by electrostatic discharge (ESD), ensure that the static electricity of your body is diverted permanently before you touch any part of the handswitch or cable. Wear a wrist band with grounding cable during the unpacking and installation.

## 6 Final disposal



The components are electrical and electronic equipment. This symbol on products, packings and/or accompanying documents means, that electrical/electronic products should not be disposed of in normal household waste. These products must be disposed of according to the WEEE directive 2012/19/EU.

Before disposal of materials and components, consider which parts of them are suitable for recycling. Supply as many parts of the LOGICDATA system as possible for recycling in your local area. The items should be handed in for recycling in accordance with local environmental regulations and rules for waste disposal. Make sure that the waste disposal verifiably minimizes any potential negative impact on human health and the environment.

## 7 Contact information

*Manufacturer:*

**LOGICDATA**  
Electronic & Software Entwicklungs GmbH  
Wirtschaftspark 18  
8530 Deutschlandsberg  
Austria

Phone: +43 (0)3462 5198 0  
Fax: +43 (0)3462 5198 530  
E-mail: [office.at@logicdata.net](mailto:office.at@logicdata.net)  
Internet: <http://www.logicdata.net>

*Distributor:*

**LOGICDATA North America, Inc.**  
1525 Gezon Parkway SW, Suite C  
Grand Rapids, MI 49509  
USA

Phone: +1 (616) 328 8841  
E-mail: [office.na@logicdata.net](mailto:office.na@logicdata.net)

## 8 Copyright and Trademark

This original documentation is protected by copyright law. LOGICDATA GmbH reserves all rights to this document, particularly the right of duplication and distribution as well as translation. No part of this manual may be reproduced by any mechanical, electronic or other means, in any form, without prior written permission of LOGICDATA Electronic & Software Entwicklungs GmbH. Violators will be prosecuted. This documentation may contain representations of registered product or service trademarks owned by LOGICDATA or third parties. Copyright and trademark rights of LOGICDATA and of other third parties remain in their entirety the property of the respective rights owner.

© 2016 LOGICDATA Electronic & Software Entwicklungs GmbH