

TOUCH^{.....}*down*

Product Rev0

Document Rev2



1 Description

The handset TOUCHdown is part of LOGICDATA's system for electrically height-adjustable desks. TOUCHdown is characterized by its modern design and the easy installation – no milling necessary. Easy mounting with just a few screws. The push-push feature allows to retract the handset under the tabletop. The large keypad turns the intuitive handling into a convenient pleasure. Save up to four memory positions. At the push of a button the table will drive to the saved position. You can switch the height indication from cm to inch and vice-versa. The handset can be customized to meet individual requirements.

2 Technical data

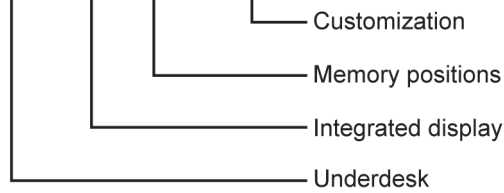
The handset is exclusively suitable for use with a motor control box by LOGICDATA.

Technical data	
Supply voltage	5 V DC \pm 200 mV
Average power consumption	60 mA
Average power consumption in standby mode	1.3 mA
Operating life (switching cycles)	10 000
Ambient temperature during operation	+5 to +40 °C
Air humidity during operation	10 to 85 %, non-condensing, dew point at +27 °C
Ambient temperature during storage and transport	-25 °C to +70 °C
Air humidity during storage and transport	5 to 90 %, non-condensing, dew point at +38 °C
Cable length	2000 mm \pm 40 mm
Dimensions in extended position in mm (l \times w \times h)	150.3 \times 183.6 \times 38.8
Weight including cable	171 g
Degree of protection	IP20
Applicable directives	EMC directive
Compatible motor control boxes	<ul style="list-style-type: none">– SMART (firmware version 1.9 or newer)– COMPACT-e (firmware version 1.9 or newer)– COMPACT-e+ (firmware version 1.9 or newer)

Table 1: Technical data

3 Order code

TOUCH-UD-MDF-4M2-LD



Please contact LOGICDATA for any further information about customizations of TOUCHdown.

4 Dimensions

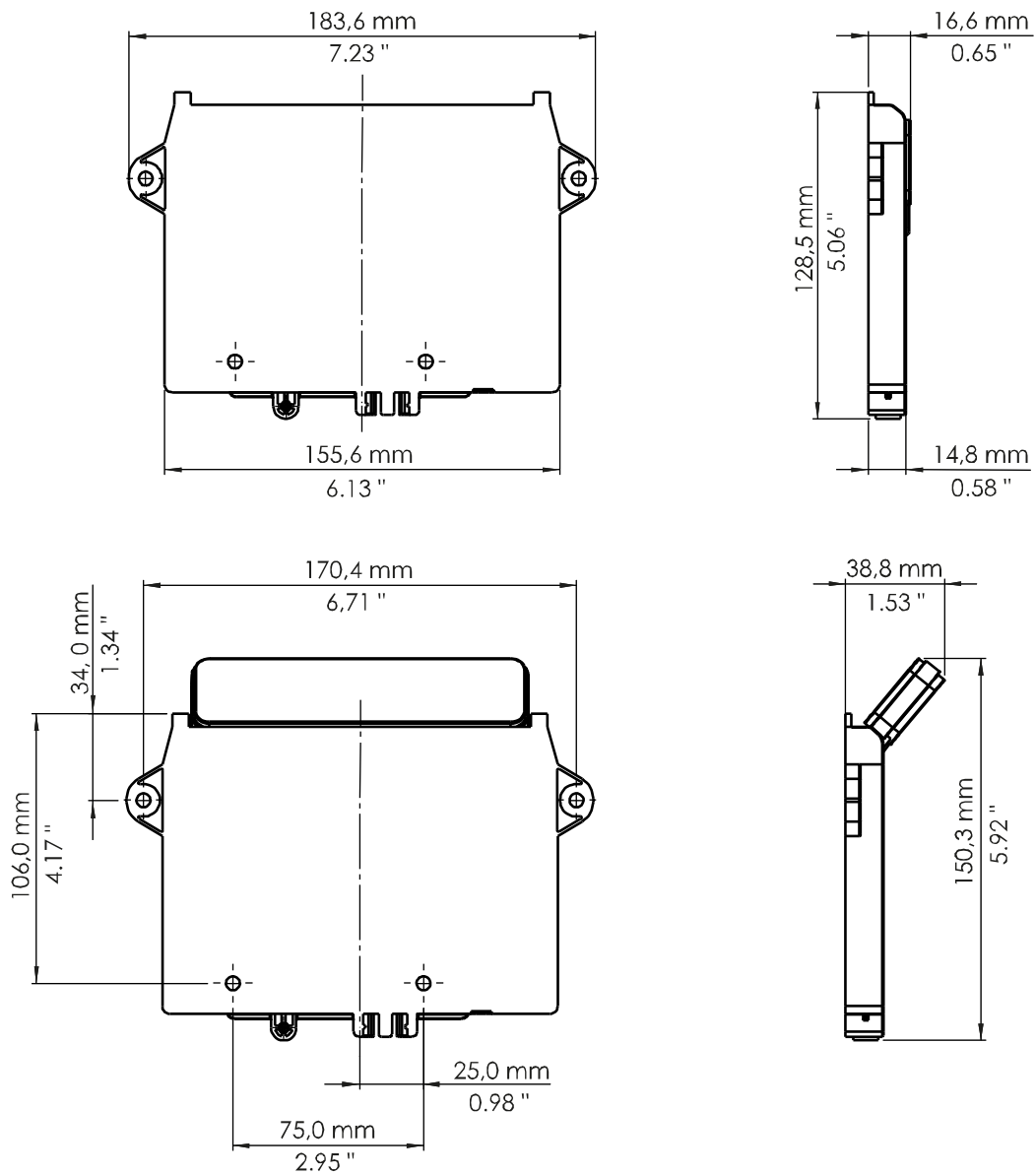


Figure 1: Dimensions. Tolerances according to DIN ISO 2768-1.

5 Safety

⚠ DANGER Electrical hazard

When the handset is connected to the power supply, electrical power is applied to the connectors and the inner parts of the handset. Contact with live components can cause severe injury.

Always comply with the following safety rules to avoid injury:

- Never open the casing of the device under any circumstances, and do not attempt to repair or modify the device.
- Only use the provided cables.
- Never use with a damaged cable or plug.
- Never immerse the components into any liquid. Keep the cable and the handset away from hot surfaces.
- Before cleaning the handset, always disconnect it from the power supply.

⚠ WARNING Risk of crushing or pinching during operation

While adjusting the height of the desk, there is a high risk of crushing or pinching between the desk and objects under, above or next to the desk.

Make sure that the danger area is clear of people, pets or obstacles! The handset may only be installed in a position where the entire danger zone is visible during operation.

⚠ CAUTION Damage caused by ESD

Electrostatic Discharge (ESD) can cause immediate or latent damage to electronic circuits. Please note that we cannot accept any liability for damage caused by ESD. To avoid damage of electronic components by electrostatic discharge (ESD), ensure that the static electricity of your body is diverted permanently before you touch any part of the handset or cable. Wear a wrist band with grounding cable during the unpacking and installation.

6 Final disposal



The components are electrical and electronic equipment. This symbol on products, packings and/or accompanying documents means, that electrical/electronic products should not be disposed of in normal household waste. These products must be disposed of according to the WEEE directive 2012/19/EU.

Before disposal of materials and components, consider which parts of them are suitable for recycling. Supply as many parts of the LOGICDATA system as possible for recycling in your local area. The items should be handed in for recycling in accordance with local environmental regulations and rules for waste disposal. Make sure that the waste disposal verifiably minimizes any potential negative impact on human health and the environment.

7 Contact information

LOGICDATA

Electronic & Software Entwicklungs GmbH
Wirtschaftspark 18
8530 Deutschlandsberg
Austria

Phone: +43 (0)3462 5198 0
Fax: +43 (0)3462 5198 530
E-mail: office.at@logicdata.net
Internet: <http://www.logicdata.net>

LOGICDATA North America, Inc.

1525 Gezon Parkway SW, Suite C
Grand Rapids, MI 49509
USA

Phone: +1 (616) 328 8841
E-mail: office.na@logicdata.net

8 Copyright and Trademark

This original documentation is protected by copyright law. LOGICDATA GmbH reserves all rights to this document, particularly the right of duplication and distribution as well as translation. No part of this manual may be reproduced by any mechanical, electronic or other means, in any form, without prior written permission of LOGICDATA Electronic & Software Entwicklungs GmbH. Violators will be prosecuted. This documentation may contain representations of registered product or service trademarks owned by LOGICDATA or third parties. Copyright and trademark rights of LOGICDATA and of other third parties remain in their entirety the property of the respective rights owner.

© 2016 LOGICDATA Electronic & Software Entwicklungs GmbH