

HAND/FOOT CONTROLS

JCF35 JCFS35

FEATURES

- The foot switches can be connected together



JCF35

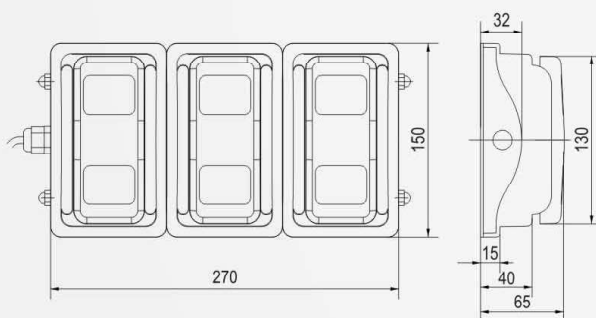


JCFS35

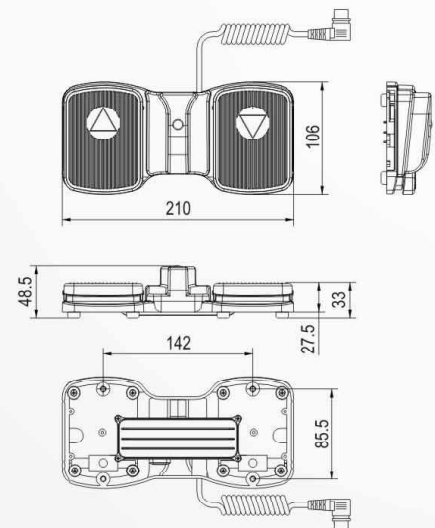
SPECIFICATIONS

	JCF35	JCFS35
Actuator Quantity	For 1-4 actuators	For 1-2 actuators
Plug	Option (see page 56)	
Colour	Black or Grey	Black
Cable	Coiled cable	Coiled cable
IP Degree	IP54	IP66
Connection	All of JIECANG control boxes	

DIMENSIONS



JCF35



JCFS35

ORDER KEY EXAMPLE

JCF35 - 2 - 9s - G - X

- ▶ Only if special option
- ▶ Colour (G: grey, B: black)
- ▶ plug (see page 56)
- ▶ Number of button pairs
- ▶ Type (JCF35, JCFS35)