

HAND/FOOT CONTROLS

JCHB35 JCHC35

FEATURES

- Small and round design for upholstered furniture
- JCHC35 can work with relay free version actuator



JCHB35

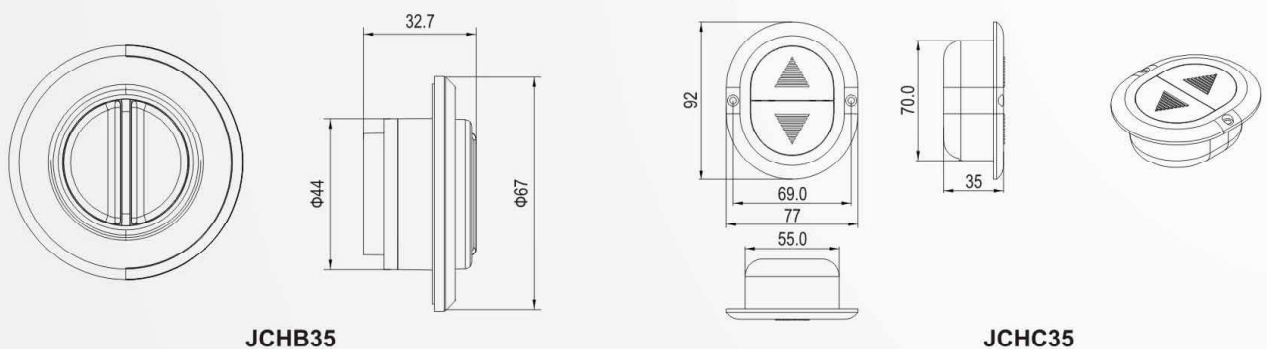


JCHC35

SPECIFICATIONS

Actuator Quantity	For 1 actuator
Plug	Option (see page 56)
Colour	Black
Cable	Straight cable
IP Degree	IP20
Connection	All of JIECANG control boxes
Other features	Round design and for Upholstered furniture

DIMENSIONS



JCHB35

JCHC35

ORDER KEY EXAMPLE

JCHB35 - 1 - 9b - B - X

- ▶ Only if special option
- ▶ Colour (B: black)
- ▶ plug (see page 56)
- ▶ Number of button pairs
- ▶ Type (JCHB35, JCHC35)