

HAND/FOOT CONTROLS

JCHQ35 JCHS35 JCHX35

FEATURES

- Economical design for furniture market



JCHQ35



JCHS35

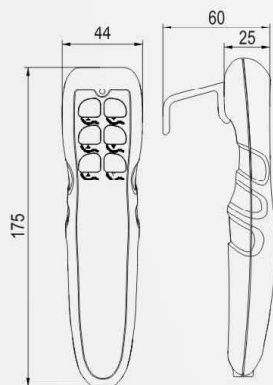


JCHX35

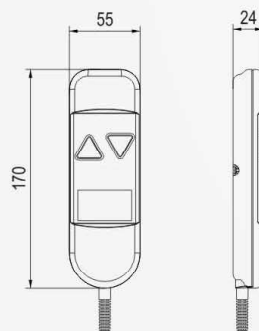
SPECIFICATIONS

	JCHQ35	JCHS35	JCHX35
Actuator Quantity	For 1-3 actuators	For 1-2 actuators	For 1-2 actuators
Plug	Option (see page 56)		
Colour	Black or Grey		
Cable	Coiled cable		
IP Degree	IP20		
Connection	All of JIECANG control boxes		
Other features	Special design for dual motor system	Can connect with relay free system	With holder to support

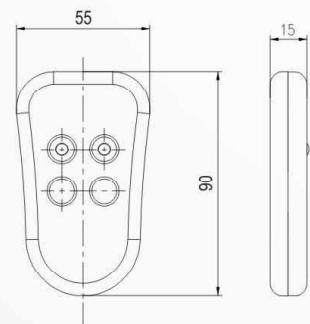
DIMENSIONS



JCHQ35



JCHS35



JCHX35

ORDER KEY EXAMPLE

JCHQ35 - 4 - 9s - G - X

- ▶ Only if special option
- ▶ Colour (G: grey, B: black)
- ▶ plug (see page 56)
- ▶ Number of button pairs
- ▶ Type (JCHQ35, JCHS35, JCHX35)