

LINEAR ACTUATORS

JC35D

FEATURES

- basic and economic design
- up to 6000N load capacity
- direct mounting on Control Box possibility



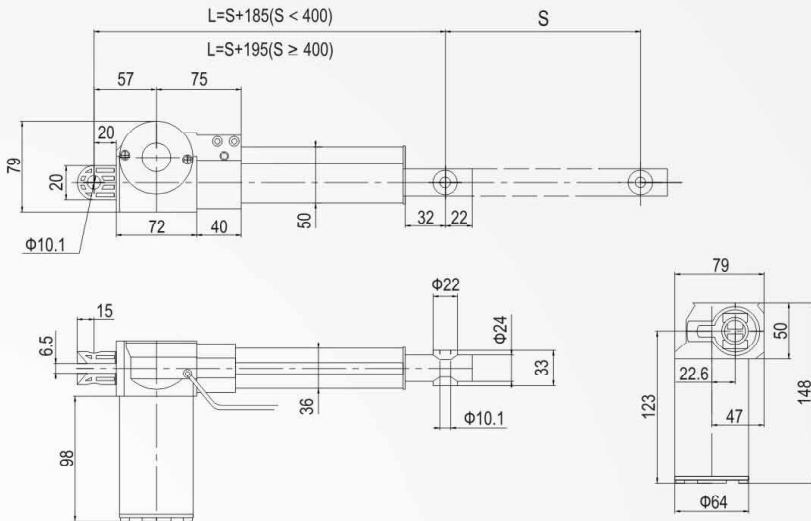
SPECIFICATIONS

Dynamic Load Push (N)	6000	4000	3000	2000	750
Dynamic Load Pull (N)	4000	4000	3000	2000	750
Static Load push * (N)	6000	4000	3000	2000	750
Static Load pull * (N)	4000	4000	3000	2000	750
Input (VDC)	24				
Speed at Full Load (mm/s)	3	4	8	12	22
Input (VDC)	12				
Speed at Full Load (mm/s)	2.6	3.5	5	9	18
Stroke Length	100~400mm (option >400mm)				
Mounting position	H type, V type and 45 degree type (see page 57)				
Colour	Black or Grey				
Limit Switch	Build-in				
Overload Protection	integrated in appropriate Control-Box				
Duty Cycle	10%, max 2min. continuous use				
Inner Tube	Aluminum Tube				
End clevis	Zinc-alloy				
IP Grade	IP43				
Operating Temperature	+5°C ~ +40°C				
Standard	CE / UL				
Optional Features	Hall sensor option (type JC35DY)				
	Reed switch option (type JC35DR)				
	Only push option (type JC35DP)				
	Relay free option (see page 07)				

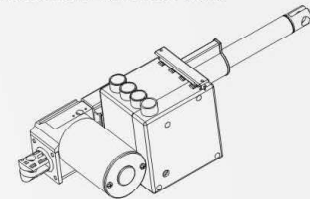
* The values apply when appropriate Jiechang Control Box is used, which short-circuits the motor during stop.

LINEAR ACTUATORS

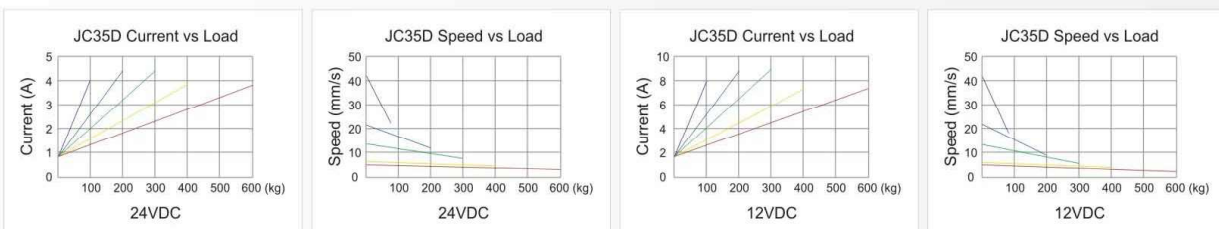
DIMENSIONS



JC35D mounted with JCJ35D control box

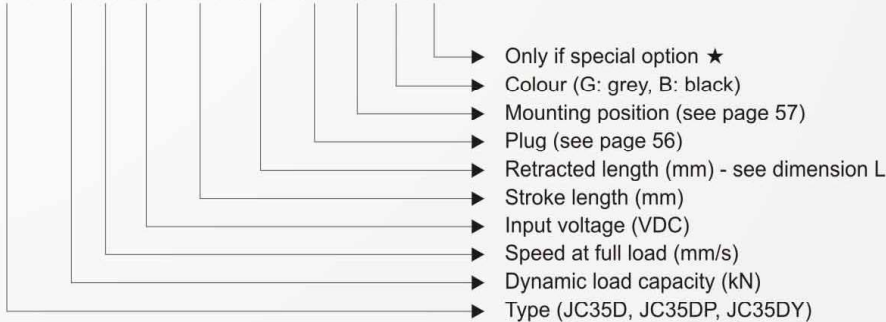


PERFORMANCE



ORDER KEY EXAMPLE

JC35D - 6 - 3 - 24 - 100 - 285 - 4s - H - G - X



- ★ B1 brake for push
- B2 brake for pull
- RF relay free version (see page 07)