

# LINEAR ACTUATORS

## JC35DF

### FEATURES

- Strong and robust design
- Low noise, IP66
- Ideal for medical, furniture and industry applications



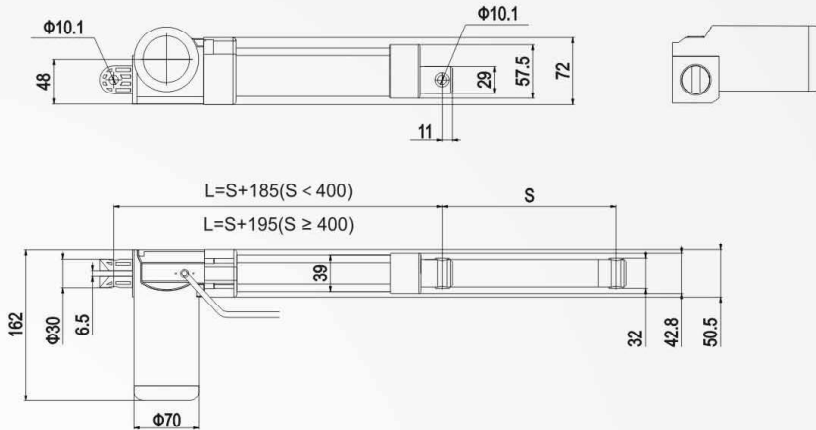
### SPECIFICATIONS

Dynamic Load Push (N)	6000	4000	3000	2000	750
Dynamic Load Pull (N)	4000	4000	3000	2000	750
Static Load Push * (N)	6000	4000	3000	2000	750
Static Load Pull * (N)	4000	4000	3000	2000	750
Input (VDC)	24				
Speed at Full Load (mm/s)	3.5	4.5	8	12	22
Input (VDC)	12				
Speed at Full Load (mm/s)	3	4	5	9	18
Stroke Length (mm)	100~400 (option >400)				
Mounting Position	H type, V type and 45 degree type (see page 57)				
Colour	Black or Grey				
Limit Switch	Build-in				
Overload Protection	Integrated in appropriate Control-Box				
Duty Cycle	10%, max 2min. continuous use				
Inner Tube	Aluminum Tube				
End clevis	Zinc-alloy				
IP Grade	IP66				
Operating Temperature	+5°C ~ +40°C				
Standard	UL60601-1 / EN60601-1				
Optional Features	Hall sensor option (type JC35DFY)				
	Reed switch option (type JC35DFR)				
	Push-Only option (type JC35DFP)				
	Relay free option (see page 07)				

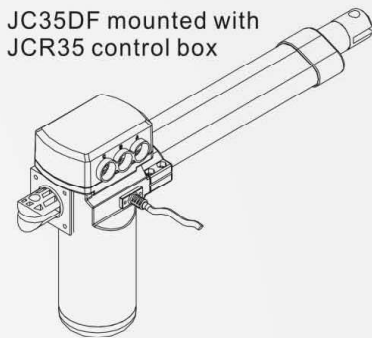
\* The values apply when appropriate Jiechang Control Box is used, which short-circuits the motor during stop.

# LINEAR ACTUATORS

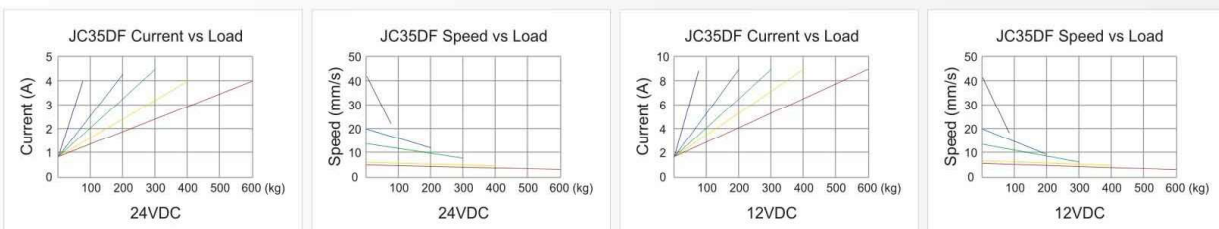
## DIMENSIONS



JC35DF mounted with JCR35 control box

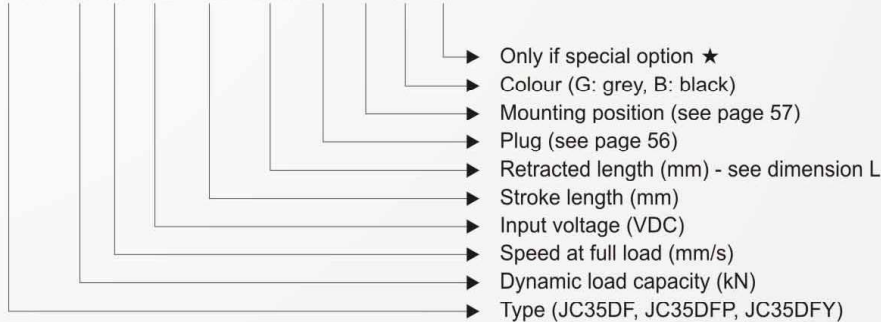


## PERFORMANCE



## ORDER KEY EXAMPLE

**JC35DF - 6 - 3 - 24 - 100 - 285 - 4s - H - G - X**



- ★ B1 brake for push
- B2 brake for pull
- RF relay free version (see page 07)