

# LINEAR ACTUATORS

## JC35G

### FEATURES

- Low noise, IP66 and quick release option
- Optimal for medical applications
- Designed to match with control box JCB35G
- Integrated cable plug, cable can be customized



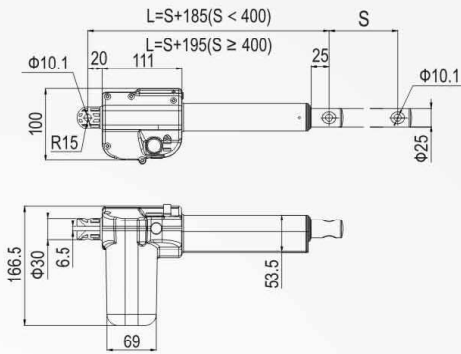
### SPECIFICATIONS

Dynamic Load Push (N)	6000	4000	3000	2000
Dynamic Load Pull (N)	4000	4000	3000	2000
Static Load Push * (N)	6000	4000	3000	2000
Static Load Pull * (N)	4000	4000	3000	2000
Speed at Full Load (mm/s)	3.5	4.5	8	12
Input (VDC)	24			
Stroke Length (mm)	100~400 (option >400)			
Mounting position	H or V type (see page 57)			
Colour	Black or Grey			
Limit Switch	Build-in			
Overload Protection	integrated in appropriate Control-Box			
Duty Cycle	10%, max 2min. continuous use			
Inner Tube	Powder Painted Steel Tube			
End clevis	Zinc-alloy			
IP Grade	IP66			
Operation Temperature	+5°C ~ +40°C			
Standard	UL60601-1 / EN60601-1			
Optional Features	Quick release option (type JC35GQ)			
	Hall-Sensor option (type JC35GY, JC35GQY)			
	Push-Only option (type JC35GP, JC35GPY)			
	Safety Nut option			

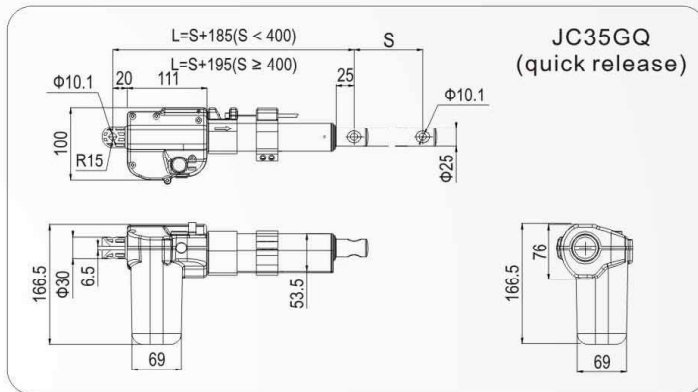
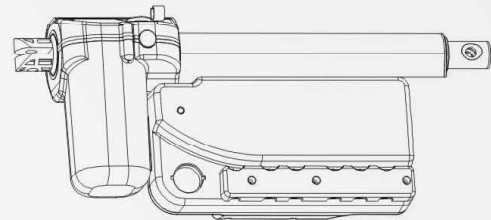
\* The values apply when appropriate Jiegang Control Box is used, which short-circuits the motor during stop.

# LINEAR ACTUATORS

## DIMENSIONS



JC35G mounted with JCB35G control box



## PERFORMANCE



## ORDER KEY EXAMPLE

**JC35G - 6 - 3 - 24 - 100 - 285 - 4sd - H - G - X**

- ▶ Only if special option ★
- ▶ Colour (G: grey, B: black)
- ▶ Mounting position (see page 57)
- ▶ Plug(4sd)
- ▶ Retracted length (mm) - see dimension L
- ▶ Stroke length (mm)
- ▶ Input voltage (VDC)
- ▶ Speed at full load (mm/s)
- ▶ Dynamic load capacity (kN)
- ▶ Type (JC35G, JC35GP, JC35GY, ...)

- ★
- S safety nut
- B1 brake for push
- B2 brake for pull