

LINEAR ACTUATORS

JC35L

FEATURES

- The track actuator with nut moving outside on the profile
- The mounting dimension is fixed according to the stroke
- Ideal for reclining chairs and TV Lift applications



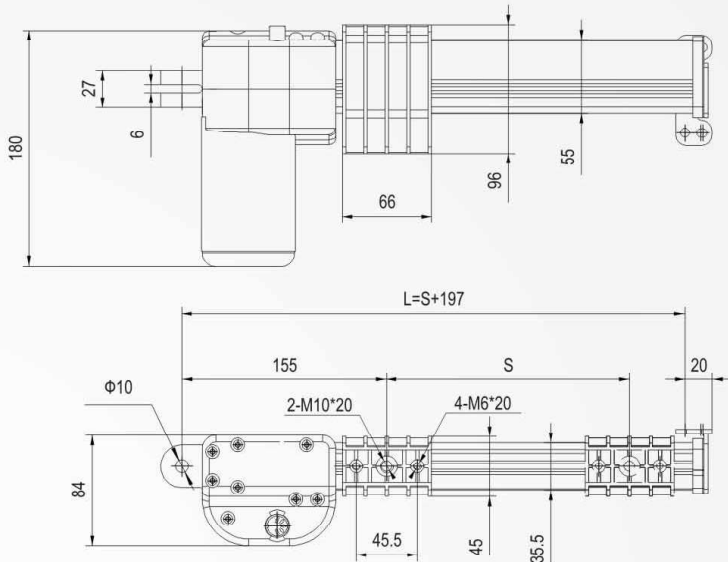
SPECIFICATIONS

Dynamic Load Push (N)	4000	2000	750
Dynamic Load Pull (N)	4000	2000	750
Static Load * (N)	4000	2000	750
Speed at Full Load (mm/s)	4.5	12	22
Input (VDC)	24		
Stroke Length (mm)	100~400 (option >400)		
Mounting position	H type		
Colour	Black or Grey		
Limit Switch	Build-in		
Overload Protection	Integrated in appropriate Control-Box		
Duty Cycle	10%, max 2min. continuous use		
Guide Tube	Aluminum Tube		
End clevis	Plastic		
IP Grade	IP20		
Operating Temperature	+5°C ~ +40°C		
Standard	CE		
Optional Features	Hall sensor option (type JC35LY)		
	Relay free option (see page 07)		

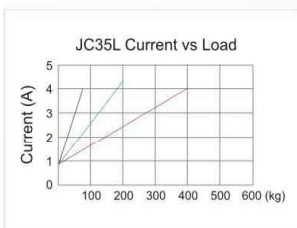
* The values apply when appropriate Jiechang Control Box is used, which short-circuits the motor during stop.

LINEAR ACTUATORS

DIMENSIONS

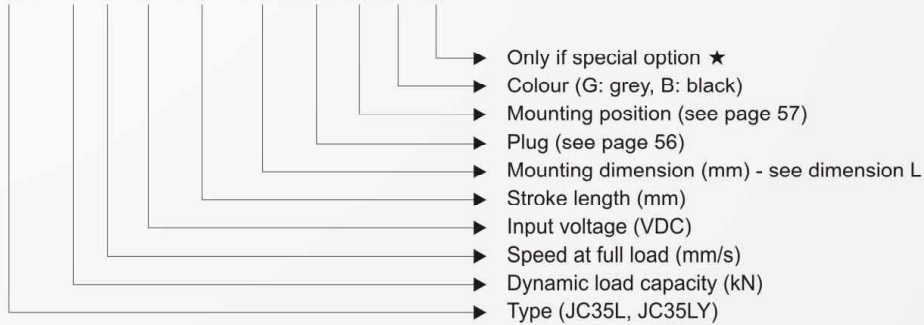


PERFORMANCE



ORDER KEY EXAMPLE

JC35L - 4 - 4 - 24 - 100 - 297 - 4s - H - G - X



★

B1 brake for push

B2 brake for pull

RF relay free version (see page 07)