

# LINEAR ACTUATORS

## JC35W

### FEATURES

- Compact size
- High duty cycle with IP54
- Universal for applications:  
industrial and agriculture machines,  
ventilation systems and many more

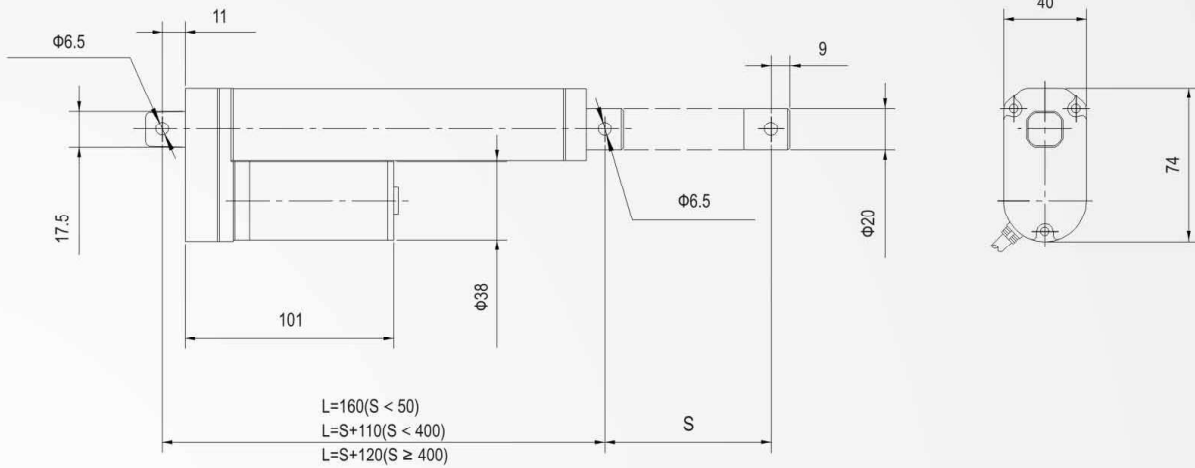


### SPECIFICATIONS

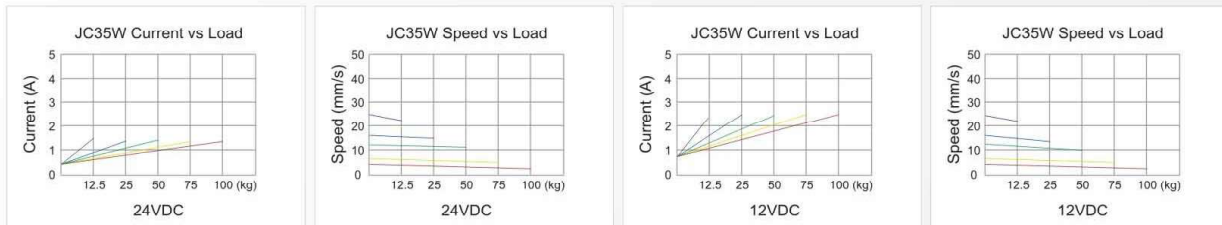
Dynamic Load Push	(N)	125	250	500	750	1000
Dynamic Load Pull	(N)	125	250	500	750	1000
Static Load Push	(N)	150	300	600	900	1200
Static Load Pull	(N)	150	300	600	900	1200
Input	(VDC)	24				
Speed at Full Load	(mm/s)	22	15	11	6	4
Input	(VDC)	12				
Speed at Full Load	(mm/s)	22	14	10	6	3.5
Stroke Length	(mm)	100~400 (option >400)				
Mounting Position		V type (see page 57)				
Colour		Black				
Limit Switch		Build-in				
Overload Protection		integrated in appropriate Control-Box				
Duty Cycle		25%, max 5min. continuous use				
Inner Tube		Aluminum tube				
End clevis		Zinc-alloy				
IP Grade		IP54				
Operating Temperature		0°C~40°C				
Standard		CE				
Screw		ACME screw				

# LINEAR ACTUATORS

## DIMENSIONS



## PERFORMANCE



## ORDER KEY EXAMPLE

**JC35W - 0.12 - 22 - 24 - 100 - 210 - 4s - H - B**

- Type (JC35W)
- Dynamic load capacity (kN)
- Speed at full load (mm/s)
- Input voltage (VDC)
- Stroke length (mm)
- Retracted length (mm) - see dimension L
- Plug (see page 56)
- Mounting position (see page 57)
- Colour (B: black)