

# LP2

## WITH KEYWAY MOUNTING

350 - 5,000 Nm

### PROPERTIES



#### FEATURES

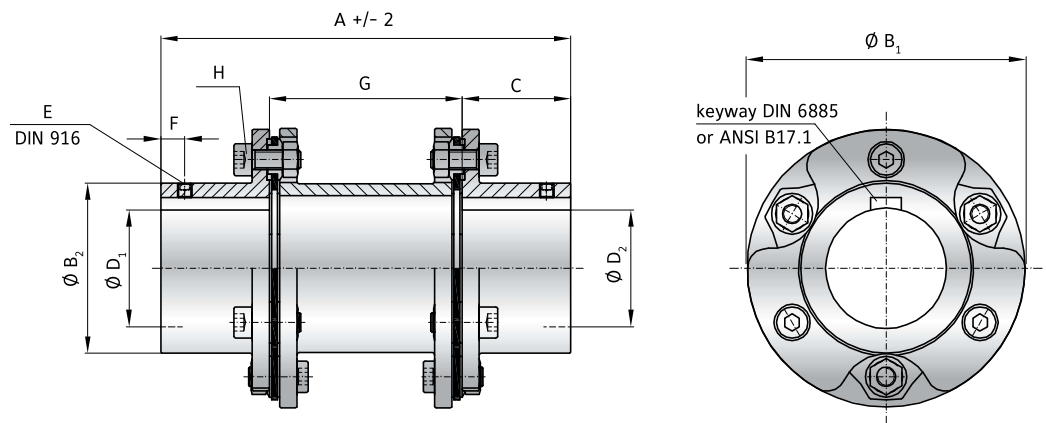
- ▶ high torsional stiffness
- ▶ double flex design
- ▶ customer specified length available

#### MATERIAL

- ▶ **Disc packs:** highly elastic spring steel
- ▶ **Hubs and spacer:** high strength steel

#### DESIGN

Two precision machined coupling hubs and precision spacer tube mounted to the disc packs by means of high strength screws and bushings for alignment and frictional clamping of the assembly. Axial retention with DIN 916 set screws.



### MODEL LP2 | SIZE 300 - 2500

SIZE			300	500	700	800	2000	2500
Rated torque (Nm)	$T_{KN}$		350	500	700	800	2000	2500
Maximum torque (Nm)	$T_{Kmax}$		700	1000	1400	1600	4000	5000
Overall length (mm)	A		170	170	206	206	286	286
Outside diameter (mm)	$B_1$		99	116	128	142	150	190
Hub diameter (mm)	$B_2$		63	71	78	84	86	102
Hub fit length (mm)	C		45	45	55	55	75	76
Bore diameter available from $\varnothing$ to $\varnothing$ H7 (mm)	$D_{1/2}$		18-48	23 - 50	25-58	25 - 60	28-64	31 - 75
Set screw (DIN 916)	E		M5	M6	M5	M6	M6	M8
Distance to screw (mm)	F		15	7	15	10	20	14
Distance (mm)	G		80	80	96	96	136	134
Assembly screw (ISO 4762) Nut (DIN 934)	H		M8	M8	M10	M10	M16	M16
Tightening torque (Nm)			41	41	83	83	355	355
Moment of inertia ( $10^{-3}$ kgm <sup>2</sup> )	$J_{ges.}$		3	6	7	15.3	25	55.5
Material			Steel	Steel	Steel	Steel	Steel	Steel
Approximate weight (kg)			3	4.4	4.7	7.6	11	16.2
Torsional stiffness ( $10^3$ Nm/rad)	$C_T$		220	230	550	570	700	900
Axial $\pm$ (mm)			1	1	1.5	1.5	2	2
Lateral $\pm$ (mm)			0.8	0.8	1	1	1.4	1.4
Angular $\pm$ (degree)			1	1	1	1	1	1
Maximum speed (1/min.)			10000	10000	8000	8000	6000	6000

ORDERING EXAMPLE	LP2	500	170	25	49	XX
Model	●					Special designation only (e.g. special bore diameter tolerances).
Size		●				
Overall length mm			●			
Bore D1 H7				●		
Bore D2 H7					●	
For custom features place an XX at the end of the part number and describe the special requirements (e.g. LP2 / 500 / 170 / 25 / 49 / XX)						

# LP2

## WITH KEYWAY MOUNTING

4,500 - 24,000 Nm

### PROPERTIES



#### FEATURES

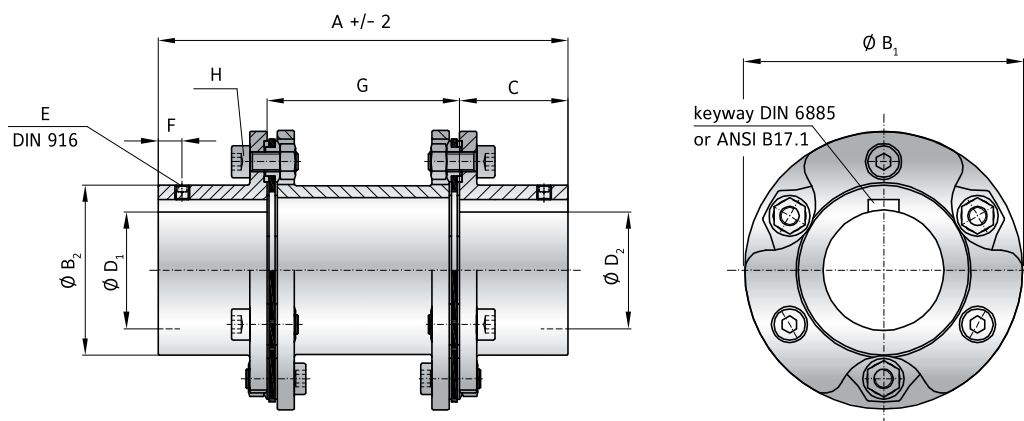
- ▶ high torsional stiffness
- ▶ double flex design
- ▶ customer specified length available

#### MATERIAL

- ▶ **Disc packs:** highly elastic spring steel
- ▶ **Hubs and spacer:** high strength steel

#### DESIGN

Two precision machined coupling hubs and precision spacer tube mounted to the disc packs by means of high strength screws and bushings for alignment and frictional clamping of the assembly. Axial retention with DIN 916 set screws.



### MODEL LP2 | SIZE 4000 - 12000

SIZE			4000	5000	7000	8000	10000	12000
Rated torque (Nm)	$T_{KN}$		4500	5000	7600	8000	10000	12000
Maximum torque (Nm)	$T_{Kmax}$		9000	10000	15200	16000	20000	24000
Overall length (mm)		A	320	340	370	400	470	470
Outside diameter (mm)		$B_1$	198	231	238	298	298	324
Hub diameter (mm)		$B_2$	120	130	140	160	194	192
Hub fit length (mm)		C	90	90	100	100	125	125
Bore diameter available from $\varnothing$ to $\varnothing$ H7 (mm)		$D_{1/2}$	38-90	39 - 95	50-102	50 - 115	70-140	70 - 140
Set screw (DIN 916)		E	M8	M10	M10	M10	M12	M12
Distance to screw (mm)		F	20	15	25	15	30	20
Distance (mm)		G	140	160	170	200	220	220
Assembly screw (ISO 4762) Nut (DIN 934)		H	M20	M20	M24	M24	M24	M24
Tightening torque (Nm)			690	690	1200	1200	1200	1200
Moment of inertia ( $10^{-3}kgm^2$ )		$J_{ges.}$	89.3	170	230	553	721	933
Material			Steel	Steel	Steel	Steel	Steel	Steel
Approximate weight (kg)			20.7	31.9	35	60.3	68.8	85.4
Torsional stiffness ( $10^3Nm/rad$ )		$C_T$	1700	1900	2800	3100	6200	7000
Axial $\pm$ (mm)			2.5	2.5	2.5	2.5	3	3
Lateral $\pm$ (mm)			1.4	1.5	1.6	1.6	2.2	2.2
Angular $\pm$ (degree)			1	1	1	1	1	1
Maximum speed (1/min.)			5000	5000	4500	4500	4000	4000

ORDERING EXAMPLE	LP2	7000	370	52	88	XX
Model	●					Special designation only (e.g. special bore diameter tolerances).
Size		●				
Overall length mm			●			
Bore D1 H7				●		
Bore D2 H7					●	

For custom features place an XX at the end of the part number and describe the special requirements (e.g. LP2 / 7000 / 370 / 52 / 88 / XX)

DISC PACK COUPLINGS  
LP