

# LP4

## WITH CONICAL CLAMPING RING

500 – 24,000 Nm



NEW

### PROPERTIES

#### FEATURES

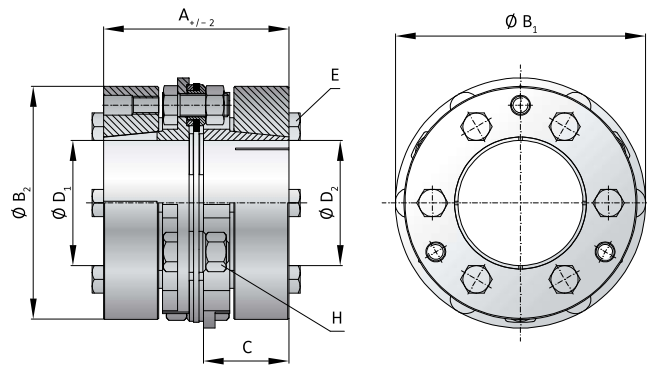
- ▶ very high torsional stiffness
- ▶ single flex design
- ▶ backlash free for reversing loads

#### MATERIAL

- ▶ **Disc pack:** highly elastic spring steel
- ▶ **Hubs:** high strength steel

#### DESIGN

Two precision machined conical clamping ring hubs mounted to the disc pack by means of high strength screws and bushings for alignment and frictional clamping of the assembly.



## MODEL LP4 | SIZE 500 - 12000

SIZE			500	800	2500	5000	8000	12000
Rated torque	(Nm)	$T_{KN}$	500	800	2500	5000	8000	12000
Maximum torque	(Nm)	$T_{Kmax}$	1000	1600	5000	10000	16000	24000
Overall length	(mm)	A	68	91	137	169	226	241.5
Outside diameter	(mm)	$B_1$	112	136	172	220	270	305
Hub diameter	(mm)	$B_2$	110	130	165	205	260	290
Hub fit length	(mm)	C	31.5	42	64	78	105	112
Bore diameter* available from $\emptyset$ to $\emptyset$ H7	(mm)	$D_{1/2}$	24 - 55	30 - 65	35 - 80	50 - 110	60 - 130	70 - 170
Clamping screws (ISO 4017)		E	6 x M8	6 x M10	6 x M12	6 x M16	6 x M20	6 x M20
Tightening torque	(Nm)		25	50	100	250	470	500
Assembly screw (ISO 4017) Nut (DIN 934)		H	M8	M10	M16	M20	M24	M24
Tightening torque	(Nm)		41	83	355	690	1200	1200
Moment of inertia ( $10^{-3}kgm^2$ )		$J_{ges.}$	5	15	59	172	606	993
Material			Steel	Steel	Steel	Steel	Steel	Steel
Approximate weight	(kg)		2.9	5.8	14.4	25.4	58	70.6
Torsional stiffness ( $10^3Nm/rad$ )		$C_T$	500	1250	1700	3800	6400	13800
Axial $\pm$	(mm)		0.6	0.8	1.1	1.25	1.25	1.5
Angular $\pm$	(degree)		0.7	0.7	0.7	0.7	0.7	0.7
Maximum speed	(1/min.)		10000	8000	6000	5000	4500	4000

\* transmittable torque can depend on the bore diameter (contact supplier for details)

ORDERING EXAMPLE	LP4	500	68	42	38	XX
Model	●					
Size		●				
Overall length			●			
Bore D1 H7				●		
Bore D2 H7					●	

For custom features place an XX at the end of the part number and describe the special requirements (e.g. LP4 / 500 / 68 / 42 / 38 / XX)

DISC PACK COUPLINGS  
LP