



WITH KEYWAY MOUNTING

500 - 24,000 Nm

API 610 - METRIC
(API 671 OPTIONAL)

PROPERTIES



FEATURES

- ▶ lateral mounting without moving hubs
- ▶ integral safety catch in case of disc pack rupture
- ▶ balanced in accordance with ANSI / AGMA 9000 class 9

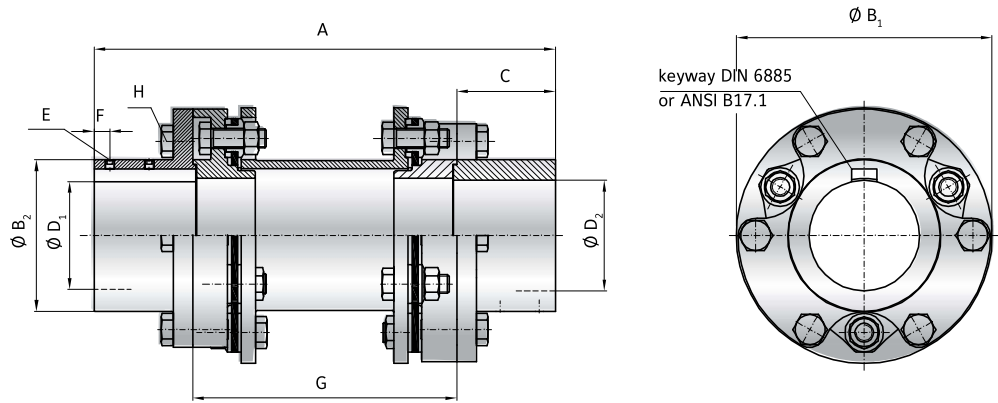
MATERIAL

- ▶ **Disc packs:** highly elastic, corrosion resistant spring steel

▶ **Hubs and spacer:** high strength steel

DESIGN

Two precision machined coupling hubs and precision spacer tube mounted to the disc packs by means of high strength screws and bushings for alignment and frictional clamping of the assembly. Axial retention with DIN 916 set screws (interference fit on request).



MODEL LPA | SIZE 500 - 12000

SIZE			500		800		2500		5000		8000		12000	
Rated torque	(kW/100rpm)	P _{KN}	5		8		26.2		52		84		126	
Rated torque	(Nm)	T _{KN}	500		800		2500		5000		8000		12000	
Maximum torque	(Nm)	T _{Kmax}	1000		1600		5000		10000		16000		24000	
Overall length	(mm)	A	190	230	250	290	332	402	360	430	450	500	500	500
Outside diameter	(mm)	B ₁	116		142		190		231		298		324	
Hub diameter	(mm)	B ₂	71		84		102		130		160		192	
Hub fit length	(mm)	C	45		55		75		90		100		125	
Bore diameter available from Ø to Ø H7	(mm)	D _{1/2}	23 - 50		25 - 60		31 - 75		39 - 95		50 - 115		70 - 140	
Set screw (DIN 916)		E	2 × M6		2 × M6		2 × M8		2 × M10		2 × M10		2 × M12	
Distance	(mm)	F	7		10		14		15		15		20	
Spacer length	(mm)	G	100	140	140	180	180	250	180	250	250	250	250	250
Assembly screw (ISO 4762) Nut (DIN 934)		H	M8		M10		M16		M20		M24		M24	
Tightening torque	(Nm)		41		83		355		690		1200		1200	
Moment of inertia	(10 ⁻³ kgm ²)		8	8.4	21.8	22.3	85.8	88.4	248	256	901	901	1350	1350
Material			Steel		Steel		Steel		Steel		Steel		Steel	
Approximate weight	(kg)		5	5.4	9.2	9.6	20.8	22	39	41	83	83	105	105
Axial ±	(mm)		0.75		1		1.3		1.5		1.7		2	
Lateral ±	(mm)		0.7	1.1	1	1.5	1.3	2	1.1	1.9	1.5	1.5	1.5	1.5
Angular ±	(degree)		1°		1°		1°		1°		1°		1°	
maximum speed	(1/min.)		7600		6400		5300		3900		3100		2500	
maximum speed (balanced)	(1/min.)		18800		15100		12800		9800		8100		6200	

ORDERING EXAMPLE	LPA	800	250	42	38	XX
Model	●					
Size		●				
Overall length mm			●			
Bore D1 H7				●		
Bore D2 H7					●	
Special designation only (e.g. special hub for large bore).						
For custom features place an XX at the end of the part number and describe the special requirements (e.g. LPA / 800 / 250 / 42 / 38 / XX)						