

PROPERTIES

FEATURES

- ▶ lateral mounting without moving hubs
- ▶ integral safety catch in case of disc pack rupture
- ▶ balanced in accordance with ANSI / AGMA 9000 class 9

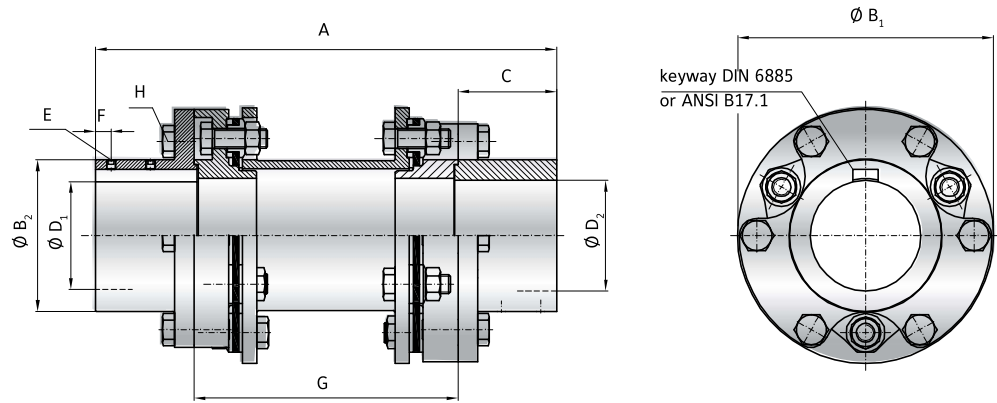
MATERIAL

- ▶ **Disc packs:** highly elastic, corrosion resistant spring steel

- ▶ **Hubs and spacer:** high strength steel

DESIGN

Two precision machined coupling hubs and precision spacer tube mounted to the disc packs by means of high strength screws and bushings for alignment and frictional clamping of the assembly. Axial retention with DIN 916 set screws (interference fit on request).



MODEL LPAI | SIZE 500 - 12000

SIZE			500		800		2500		5000		8000		12000	
Rated torque	(kW/100rpm)	P_{KN}	5		8		26.2		52		84		126	
Rated torque	(Nm)	T_{KN}	500		800		2500		5000		8000		12000	
Maximum torque	(Nm)	T_{Kmax}	1000		1600		5000		10000		16000		24000	
Overall length	(mm)	A	217	268	237	288	330	381	358	409	429	479	479	479
Outside diameter	(mm)	B_1	116		142		190		231		298		324	
Hub diameter	(mm)	B_2	71		84		102		130		160		192	
Hub fit length	(mm)	C	45		55		75		90		100		125	
Bore diameter available from \emptyset to \emptyset H7	(mm)	$D_{1/2}$	23 - 50		25 - 60		31 - 75		39 - 95		50 - 115		70 - 140	
Set screw		E	2 x 1/4"-20		2 x 1/4"-20		2 x 5/16"-18		2 x 3/8"-16		2 x 1/2"-13		2 x 1/2"-13	
Distance	(mm)	F	7		10		14		15		15		20	
Spacer length	(mm)/(in.)	G	127/5"	178/7"	127/5"	178/7"	178/7"	229/9"	178/7"	229/9"	229/9"	229/9"	229/9"	229/9"
Assembly screw, bolt and nut (Grade 9)		H	5/16"-18		3/8"-16		5/8"-11		3/4"-10		1"-8		1"-8	
Tightening torque	(Nm)		38		68		320		595		1100		1100	
Moment of inertia	(10 ⁻³ kgm ²)		8.3	8.8	21	22.3	85	87	248	254	890	1344	1344	1344
Material			Steel		Steel		Steel		Steel		Steel		Steel	
Approximate weight	(kg)		5.3	5.7	9.1	9.6	20.8	21.6	38.9	40	82.3	104	104	104
Axial ±	(mm)		0.75		1		1.3		1.5		1.7		2	
Lateral ±	(mm)		1	1.5	0.9	1.4	1.3	1.8	1.1	1.6	1.3	1.3	1.3	1.3
Angular ±	(degree)		1°		1°		1°		1°		1°		1°	
maximum speed	(1/min.)		7600		6400		5300		3900		3100		2500	
maximum speed (balanced)	(1/min.)		18800		15100		12800		9800		8100		6200	

ORDERING EXAMPLE	LPAI	800	237	25.4	50.8	XX
Model	●					
Size		●				
Overall length mm			●			
Bore D1 H7				●		
Bore D2 H7					●	
Special designation only (e.g. special hub for large bore).						
For custom features place an XX at the end of the part number and describe the special requirements (e.g. LPAI / 800 / 237 / 41.28 / 19 / XX; XX = D2 interference fit)						

DISC PACK COUPLINGS LP