



eloLance SL2D

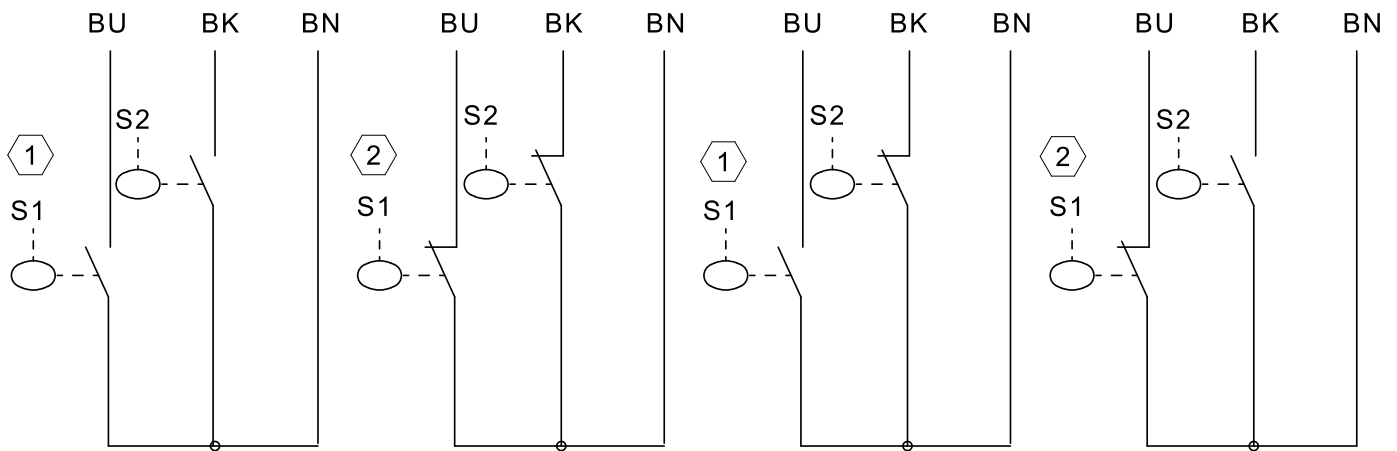
The eloLance – the new suction lance generation

The eloLance is the new suction lance generation that offers you everything to make your systems and machines more efficient and reduce your workload. Its low extraction point enables economical, sustainable handling of liquids and reduces residual quantities in the container. Their high reliability and resistance in a wide range of liquids, combined with simple, safe operation, are strong arguments for users. This makes suction lances the ideal solution for use in canisters.

Product characteristics

- Seal-free design
- Low extraction point
- Easy handling due to ergonomical head
- 1 or 2 switching points possible: pre-empty and empty switching point
- High resistance due to optimised wall thickness for components in contact with media
- Clamping cone for variable height adjustment
- Horizontal hose and cable outlet
- Ball leakage brake

IMAGE 2/6





 1	S1 float cover at the top SF-A NO normally open ----- switching function can be changed by turning the float
 2	S1 float cover below SF-B NC normally closed ----- switching function can be changed by turning the float

IMAGE 3/6

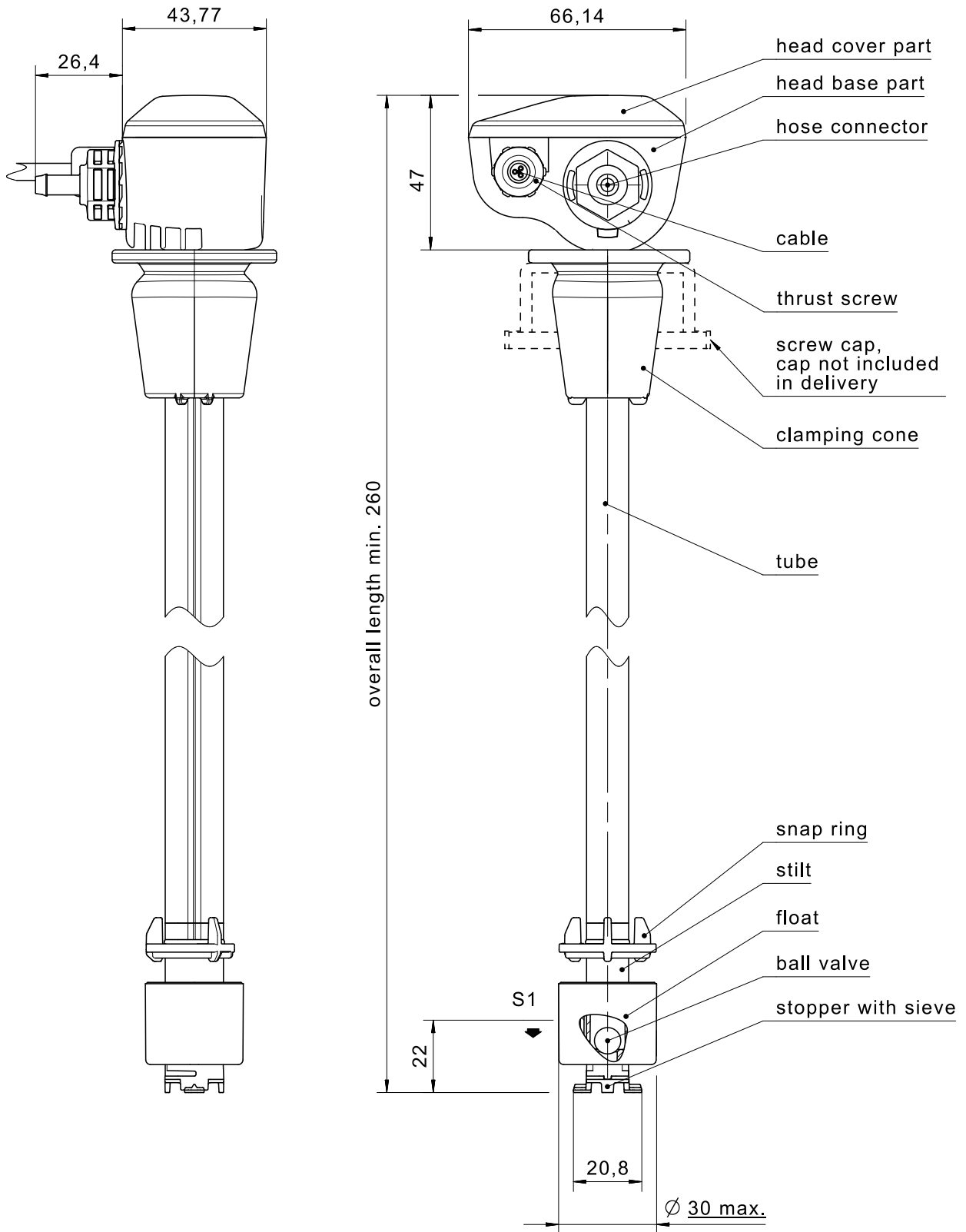
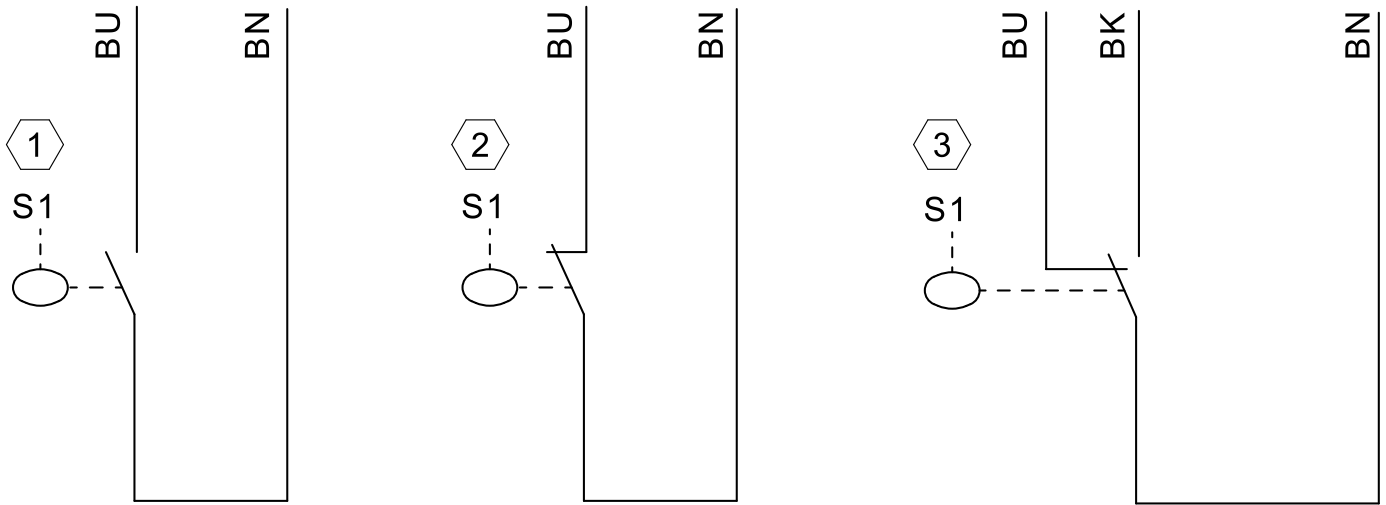


IMAGE 4/6





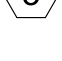
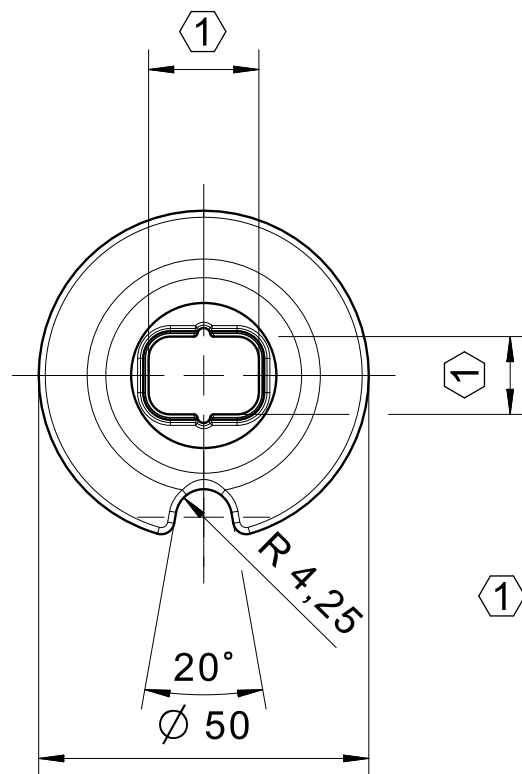
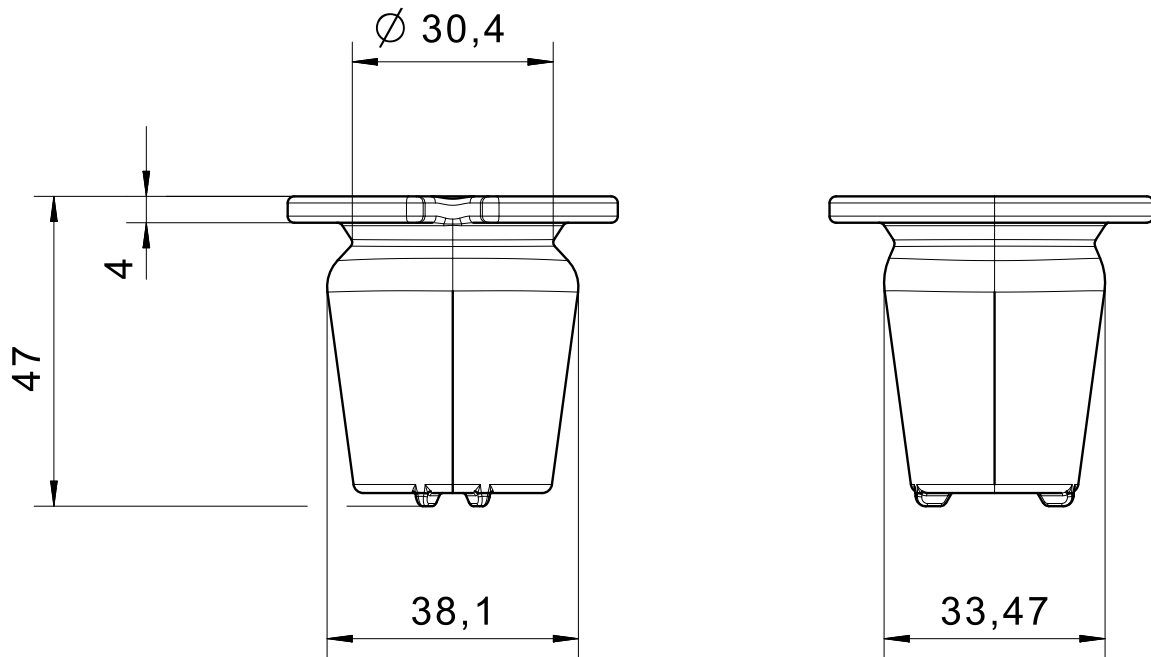
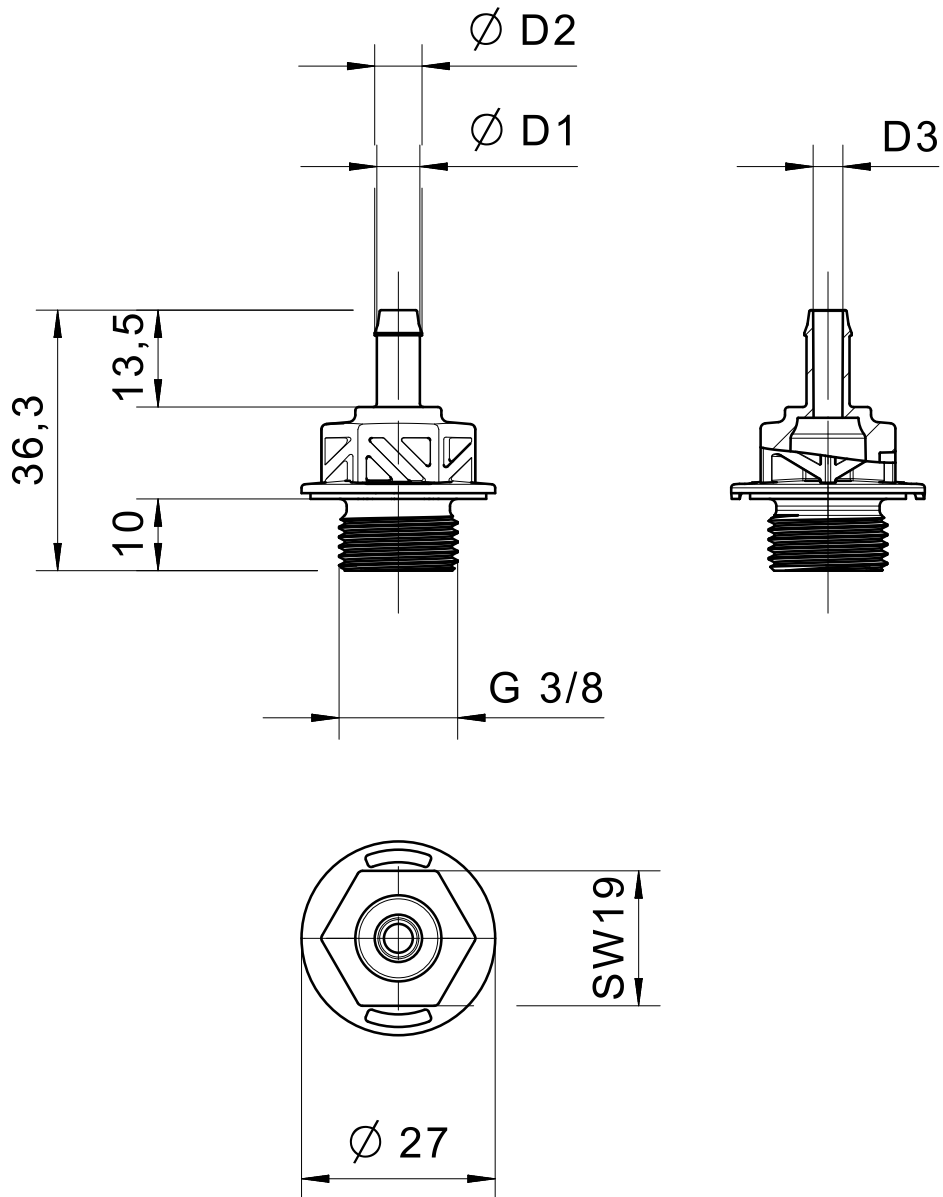
	S1 float cover at the top SF-A NO normally open ----- switching function can be changed by turning the float
	S1 float cover below SF-B NC normally closed ----- switching function can be changed by turning the float
	S1 float cover at the top SF-C changeover -----

IMAGE 5/6



① compatible with SL2...

IMAGE 6/6



D1	D2	D3
$\varnothing 4$	4,5	2
$\varnothing 6$	6,6	4
$\varnothing 8$	8,7	6

Electrical data

Attribute	SL2D1000010	SL2D1000011	SL2D1000012	SL2D1000013	SL2D1000014	SL2D1000015 ▶
Max. switching voltage	48 V AC					
Max. switching voltage	48 V DC					
Max. switching current	0.5 A					
Max. switching power	10 VA					
Output signal	digital					
Technology	Reed					
Number of switching points	1					
Contact form S1	opens at falling level					
Contact form S2	-					
Switching point height S1	22 mm					
Switching point height S2	-					

Electrical data

Attribute	SL2D1000016	SL2D2000008	SL2D2000009	SL2D2000010	SL2D2000011	SL2D2000013 ▶
Max. switching voltage	48 V AC					
Max. switching voltage	48 V DC					
Max. switching current	0.5 A					0.25 A
Max. switching power	10 VA					5 VA
Output signal	digital					
Technology	Reed					
Number of switching points	1					2
Contact form S1	opens at falling level					
Contact form S2	-					opens at falling level
Switching point height S1	22 mm					
Switching point height S2	-					72 mm

Electrical data

Attribute	SL2D2000014	SL2D2000015
Max. switching voltage	48 V AC	
Max. switching voltage	48 V DC	
Max. switching current	0.25 A	
Max. switching power	5 VA	
Output signal	digital	
Technology	Reed	
Number of switching points	2	
Contact form S1	opens at falling level	
Contact form S2	opens at falling level	
Switching point height S1	22 mm	
Switching point height S2	72 mm	

Properties

Attribute	SL2D1000010	SL2D1000011	SL2D1000012	SL2D1000013	SL2D1000014	SL2D1000015 ▶
Run-out brake	Gravity ball brake					
Filter sieve	Filter mesh size 50 x 0,89mm ²					
Article marking	Laser marking					
Structure	Seal free structure in immersed area					

Properties

Attribute	SL2D1000016	SL2D2000008	SL2D2000009	SL2D2000010	SL2D2000011	SL2D2000013 ▶
Run-out brake	Gravity ball brake					
Filter sieve	Filter mesh size 50 x 0,89mm ²					
Article marking	Laser marking					
Structure	Seal free structure in immersed area					

Properties

Attribute	SL2D2000014	SL2D2000015
Run-out brake	Gravity ball brake	
Filter sieve	Filter mesh size 50 x 0,89mm ²	
Article marking	Laser marking	
Structure	Seal free structure in immersed area	

Mechanical data

Attribute	SL2D1000010	SL2D1000011	SL2D1000012	SL2D1000013	SL2D1000014	SL2D1000015 ▶
Overall length	260 mm	300 mm	340 mm	400 mm	440 mm	500 mm
Immersion length max.	209 mm	249 mm	289 mm	349 mm	389 mm	449 mm
Height/Width/Depth head piece	47mm x 66,14mm x 43,77mm					
Float diameter	30 mm					
Recommended minimum density of the medium	0.7 g/cm ³					

Mechanical data

Attribute	SL2D1000016	SL2D2000008	SL2D2000009	SL2D2000010	SL2D2000011	SL2D2000013 ▶
Overall length	600 mm	300 mm	400 mm	500 mm	600 mm	440 mm
Immersion length max.	549 mm	249 mm	349 mm	449 mm	549 mm	389 mm
Height/Width/Depth head piece	47mm x 66,14mm x 43,77mm					
Float diameter	30 mm					
Recommended minimum density of the medium	0.7 g/cm ³					

Mechanical data

Attribute	SL2D2000014	SL2D2000015
Overall length	340 mm	260 mm
Immersion length max.	289 mm	209 mm
Height/Width/Depth head piece	47mm x 66,14mm x 43,77mm	
Float diameter	30 mm	
Recommended minimum density of the medium	0.7 g/cm ³	

Material information

Attribute	SL2D1000010	SL2D1000011	SL2D1000012	SL2D1000013	SL2D1000014	SL2D1000015 ▶
Housing material	PP/PVC/TPE					
Float material	PE					
Hose fitting material	PE					
Riser material	PVC					
Sealing ring material	-					
Cable material	PVC					
Hose material	-					
Valve ball material	Glass					
Container fastening material	Silicone					

Material information

Attribute	SL2D1000016	SL2D2000008	SL2D2000009	SL2D2000010	SL2D2000011	SL2D2000013 ▶
Housing material	PP/PVC/TPE					
Float material	PE					
Hose fitting material	PE					
Riser material	PVC					
Sealing ring material	-					
Cable material	PVC					
Hose material	-					
Valve ball material	Glass					
Container fastening material	Silicone					

Material information

Attribute	SL2D2000014	SL2D2000015
Housing material	PP/PVC/TPE	
Float material	PE	
Hose fitting material	PE	
Riser material	PVC	
Sealing ring material	-	
Cable material	PVC	
Hose material	-	
Valve ball material	Glass	
Container fastening material	Silicone	

Environmental conditions

Attribute	SL2D1000010	SL2D1000011	SL2D1000012	SL2D1000013	SL2D1000014	SL2D1000015 ▶
Protection class head piece	IP65 DIN EN 60529					
Protection class below head piece	IPX8 DIN EN 60529					
Operating temperature min.	5 °C					
Max. operating temperature	60 °C					
Min. storage temperature	-20 °C					
Max. storage temperature	60 °C					

Environmental conditions

Attribute	SL2D1000016	SL2D2000008	SL2D2000009	SL2D2000010	SL2D2000011	SL2D2000013 ▶
Protection class head piece	IP65 DIN EN 60529					
Protection class below head piece	IPX8 DIN EN 60529					
Operating temperature min.	5 °C					
Max. operating temperature	60 °C					
Min. storage temperature	-20 °C					
Max. storage temperature	60 °C					

Environmental conditions

Attribute	SL2D2000014	SL2D2000015
Protection class head piece	IP65 DIN EN 60529	
Protection class below head piece	IPX8 DIN EN 60529	
Operating temperature min.	5 °C	
Max. operating temperature	60 °C	
Min. storage temperature	-20 °C	
Max. storage temperature	60 °C	

Installation

Attribute	SL2D1000010	SL2D1000011	SL2D1000012	SL2D1000013	SL2D1000014	SL2D1000015 ▶
Connection/outlets	Hose fitting for hose with inner diameter 6 mm					
Installation opening	min. 30mm					
Mounting type	Clamping cone					

Installation

Attribute	SL2D1000016	SL2D2000008	SL2D2000009	SL2D2000010	SL2D2000011	SL2D2000013 ▶
Connection/outlets	Hose fitting for hose with inner diameter 6 mm					
Installation opening	min. 30mm					
Mounting type	Clamping cone					

Installation

Attribute	SL2D2000014	SL2D2000015
Connection/outlets	Hose fitting for hose with inner diameter 6 mm	
Installation opening	min. 30mm	
Mounting type	Clamping cone	

Connection

Attribute	SL2D1000010	SL2D1000011	SL2D1000012	SL2D1000013	SL2D1000014	SL2D1000015 ▶
Connector type	-					
Cable length	5 m					
Connection type	End splice					
Cable type	2x0,50mm ² PVC LiYYöw/UL					

Connection

Attribute	SL2D1000016	SL2D2000008	SL2D2000009	SL2D2000010	SL2D2000011	SL2D2000013 ▶
Connector type	-					
Cable length	5 m					
Connection type	End splice					
Cable type	2x0,50mm ² PVC LiYYöw/UL	3x0,50mm ² PVC LiYYöw/UL				

Connection

Attribute	SL2D2000014	SL2D2000015
Connector type	-	
Cable length	5 m	
Connection type	End splice	
Cable type	3x0,50mm ² PVC LiYYöw/UL	