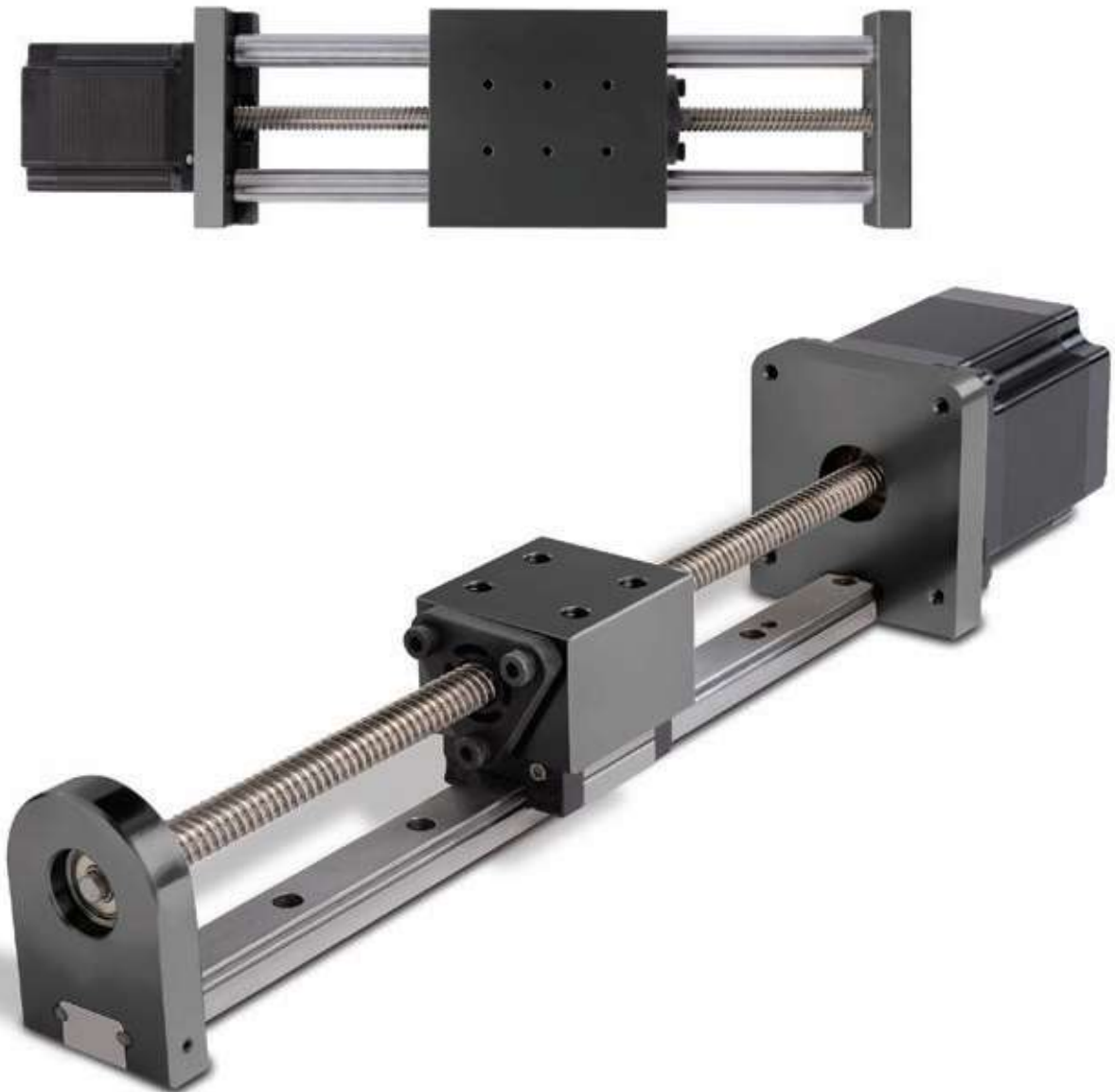


Compact Linear Systems

Modular and Comprehensive Solutions for Space-Conscious Applications

Let's Build Your Ideal Linear Solution

Specifying multiple components for a linear motion system design can sometimes come with obstacles – delays, misapplications, additional costs and a general uncertainty about your selections just to name a few. Take the guesswork out of this process with Thomson compact linear systems. You'll be able to work closely with our experts to mix and match our trusted components for a tailor-fit solution.





Modular To Match Your Needs

With our compact linear systems, there is no “one size fits all” model. Your application requirements will determine the selection and sizing of components that go into configuring your ideal solution.

- Choose from our wide standard offering of lead screws, linear bearings, guides and more.
- If one of our three standard architectures (see next page) don’t meet your design specifications, we can work with you on a completely “from scratch” system.
- Mounting blocks can be machined to virtually any shape or size.

Consult With Us On Your Design

No matter how simple or complex your system requirements, you can take advantage of a virtual design consultation with a Thomson application engineer. It’s like having a linear motion expert by your side as you build your solution.

- Our application engineers are familiar with working in a 3D CAD environment and bring decades of expertise to your design project.
- Your compact linear system project isn’t considered complete until you are 100% satisfied.

Shorten Your Design Cycle

With our experts’ knowledge of Thomson components and a virtual design consultation focused on getting your compact linear system right the first time, you can rest easy knowing your project’s timeline will remain on track.

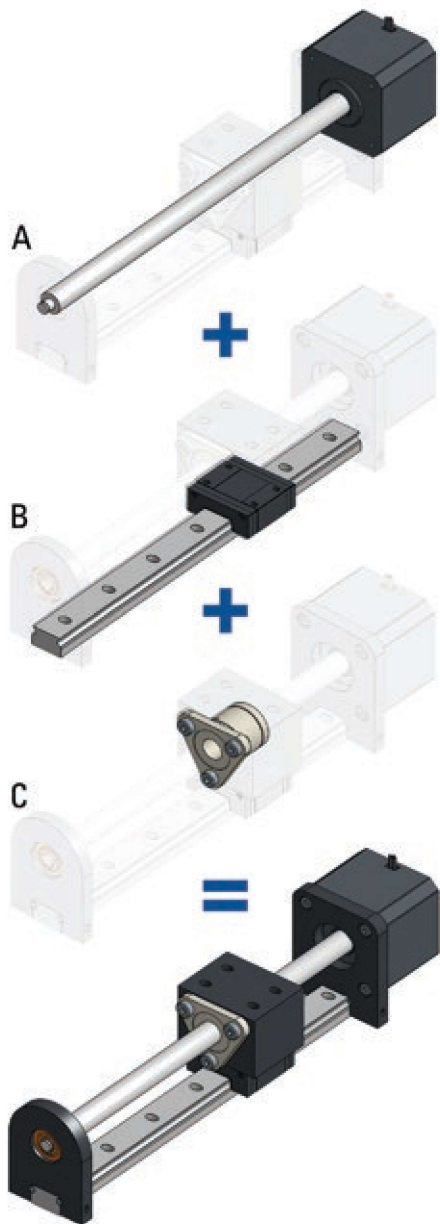
- Systems can be produced and delivered quickly due to the automation of back-end modularity processes (populating drawings, computing machining requirements, etc.).
- Tailor your compact linear system up front with attachments and mounting holes to integrate into your existing machine design.
- A 3D model of your system is made available to you in real time or typically within one business day.

Standard Configuration Options

After decades of working closely with customers and learning which solutions best meet their application needs, we've utilized our knowledge to configure three linear system options to cover most design requirements.

Vertical Configuration (CLSV)

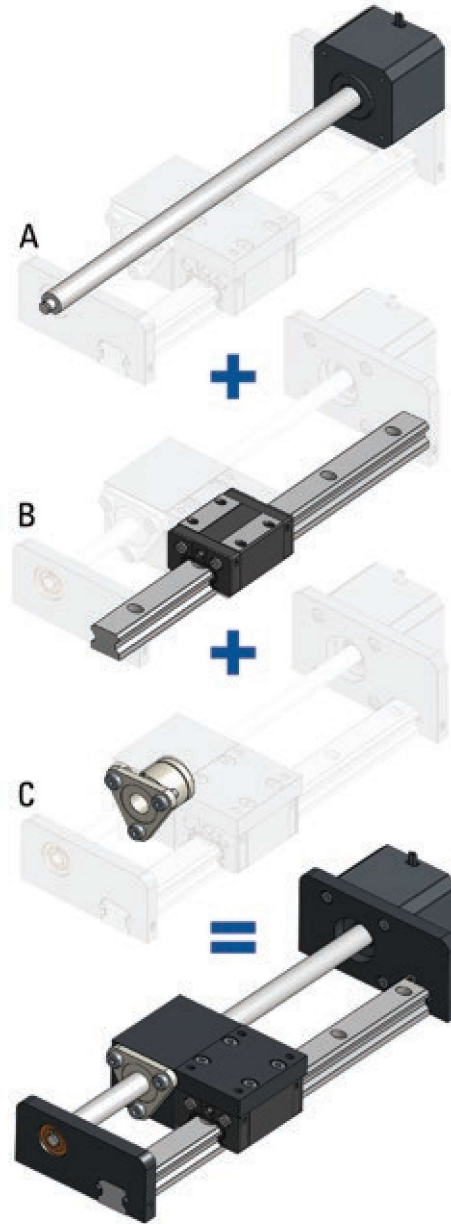
Achieve a smaller footprint by vertically stacking the screw and profile rail bearing.



A. Thomson lead screw and motor (MLS)
B. Thomson profile rail and carriage
C. Thomson anti-backlash nut.

Horizontal Configuration (CLSH)

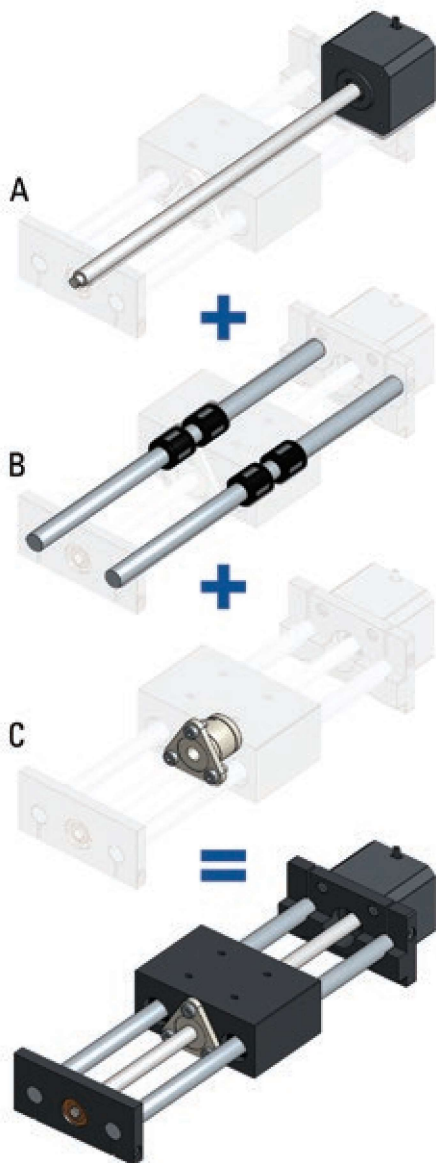
Achieve a shorter system height by horizontally arranging the lead screw and profile rail bearing.



A. Thomson lead screw and motor (MLS)
B. Thomson profile rail and carriage
C. Thomson anti-backlash nut.

Round Rail Configuration (CLSR)

Achieve a cost-effective solution capable of withstanding high moment loading by using a dual round rail guidance system.



A. Thomson lead screw and motor (MLS)
 B. Thomson 60 Case® round rail and linear bearings
 C. Thomson anti-backlash nut.

Linear System Design Tips

Consider the environmental conditions under which the system will operate, including temperatures, dust and dirt levels, chemical exposure, washdown processes, vibration and shock load, and radiation.

When defining the direction and magnitude of your load, the system orientation can be important. With a horizontal orientation, the drive load is equal to the payload weight times the frictional coefficient, while with a vertical orientation, the drive load is equal to the weight.

For applications that require accurate positioning, the mounting surface of the rail can be machined.

Lead screw drives, which are used in low to medium duty cycle positioning applications, operate at low noise levels and provide excellent repeatability of 0.005 mm

Purchasing a configured linear motion system can typically reduce engineering time and assembly cost by 90% or more, while providing a 20-30% cost savings in material.

Linear Motion Solutions Your Way

With more than 75 years of experience in solving linear motion challenges, Thomson engineers understand that not every design or application is straightforward. Considerations such as spatial requirements, harsh environments or conditions, and heavy or unbalanced loads can significantly affect component selection and sizing. Our engineers also appreciate that design engineers often have to work on tight timelines. All of these factors were top of mind when developing Thomson compact linear systems.

Compact Linear System Components



Why a Profile Rail System?

Also known as “square” rail, this technology has a higher load capacity and much tighter accuracy than round rail. Its compactness can help reduce the overall size of the system, but higher preloads can increase in drag. Profile rail’s unforgiving design can either benefit or complicate your design. For instance, the mounting and installation process can be a challenge if poor parallelism is a factor.



Given our collaborative and thorough approach to helping you reach your ideal compact linear system, you might assume this level of customer service comes at a premium. However, you'll be pleased to know that these configurable systems have been created to maximize efficiencies in not only time and accuracy but cost as well. You won't need to waste time listening to sales pitches. Thomson application engineers' only concern is solving your design challenges with the ideal compact linear system.

In building a Thomson compact linear system, you can configure a unit or combination of units from a wide variety of components based on your specific application requirements.



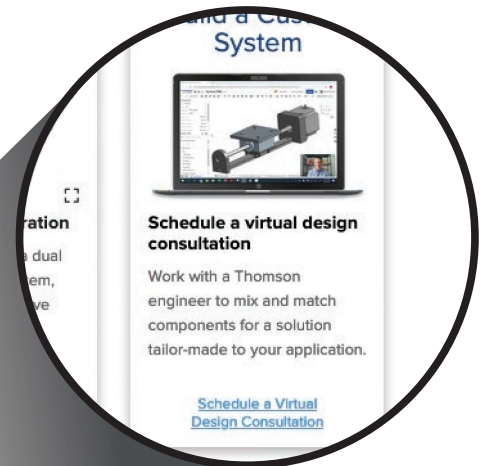
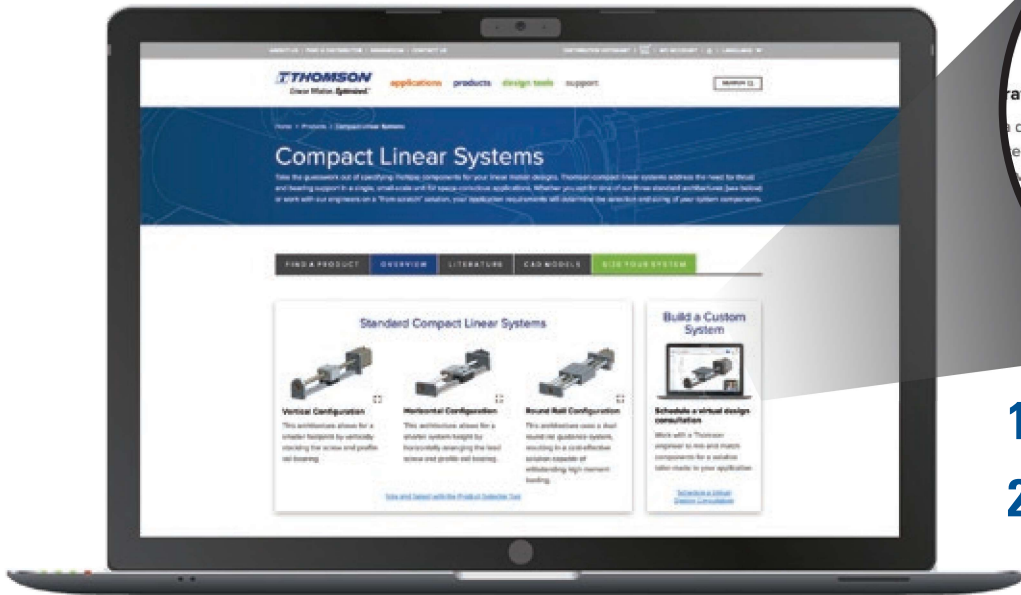
Why a Round Rail System?

While this technology has a lower load capacity and looser accuracy, it provides a smooth and low drag platform. The only option for end-supported applications, round rail is self-aligning and forgiving of issues that arise from poor parallelism or variation in rail height for systems utilizing multiple rails. Its simplistic profile boasts highly effective sealing and a natural contamination resilience.



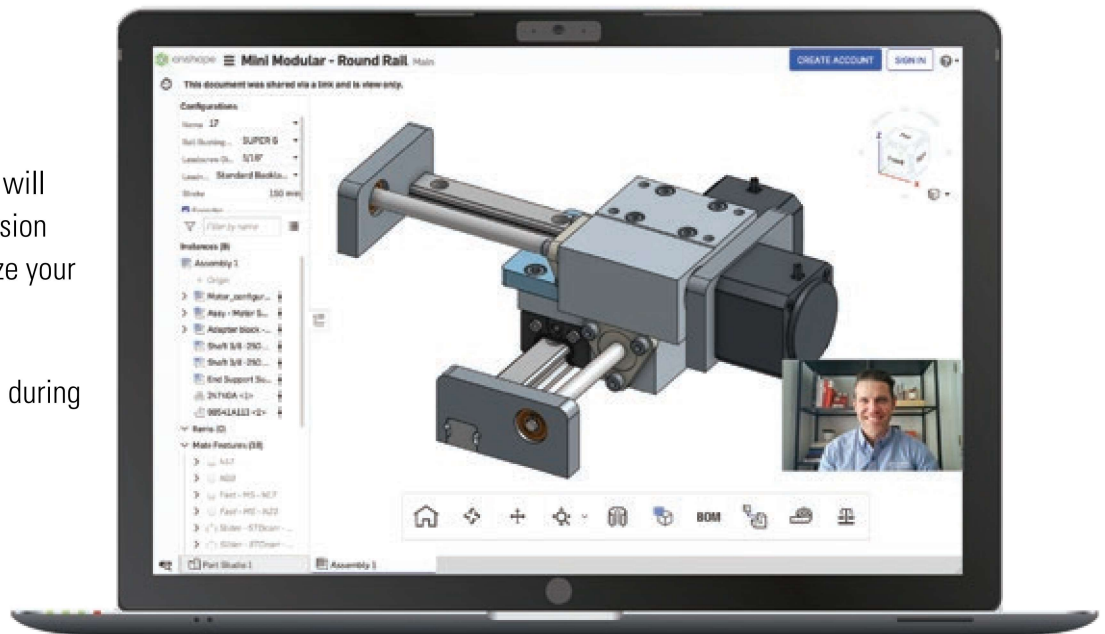
Design Your Compact Linear System in Four Easy Steps

Whether your application requirements lead you to choosing a standard or tailor-made Thomson compact linear system, our engineers are ready to work alongside you to discover your ideal solution. Here's how it works:



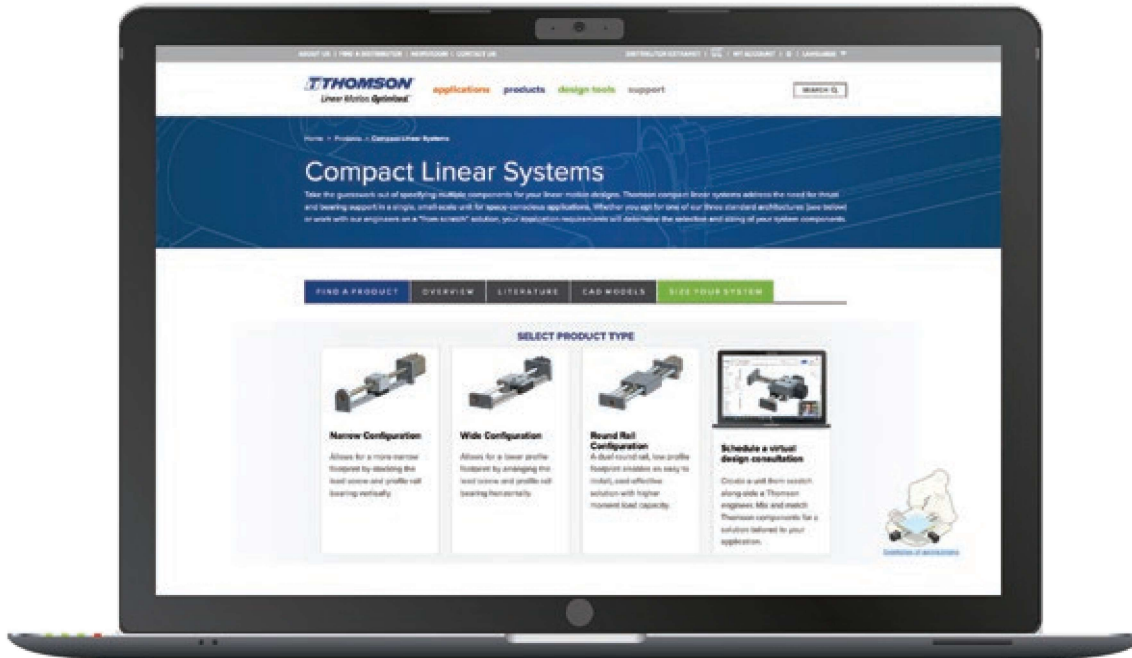
- 1** Visit www.thomsonlinear.com/cls
- 2** Click "Schedule a Virtual Design Consultation"

- 3** A Thomson engineer will join you on a live session to design and optimize your solution
- 4** Review a CAD model during or after the session



OR

Use our online product selector tool to narrow your choices from our large selection of predesigned linear motion systems.



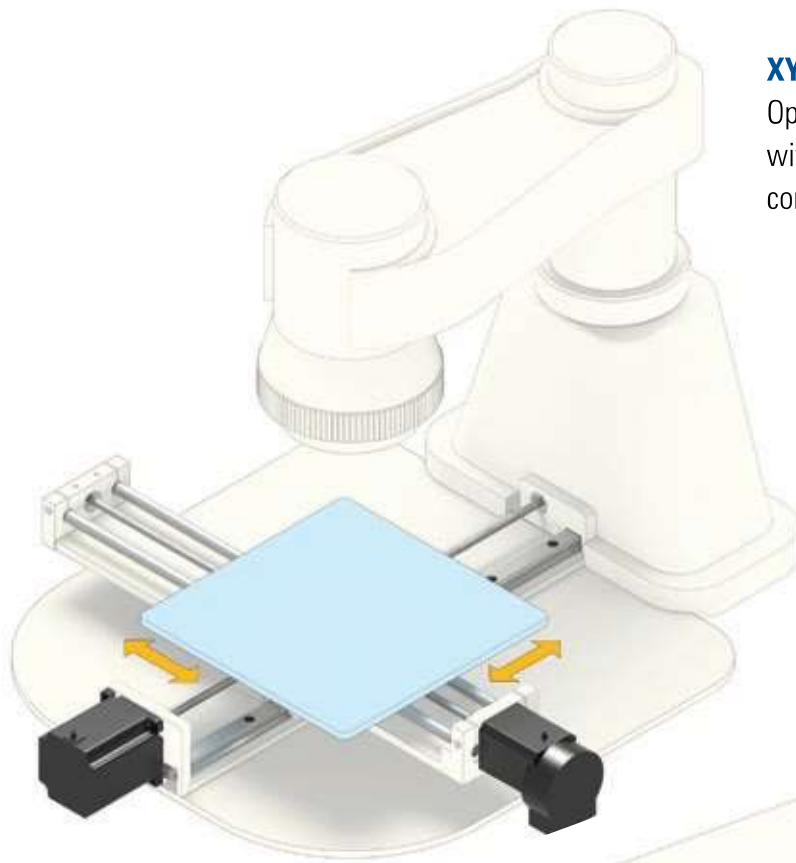
Your compact linear system solution is only minutes away

Following months of development, the compact linear system online selector tool is ready to simplify your search and selection process, and help you quickly identify the right solution for your application.

- Access new, verified 3D models, catalog links and product details.
- Visual selection process immediately narrows your compact linear system search.
- Up-front lead times and prices are listed with the option to purchase.
- Real-time adjustments per your defined filter parameters.
- “Recommended Products” are provided based on the applications expertise of Thomson engineers.

Application Examples

Thomson compact linear systems are ideal for applications requiring high-accuracy linear axes in confined spaces, such as 3D printers, semiconductor manufacturing, microscope stage positioners and many other medical devices. Below are just a few examples.

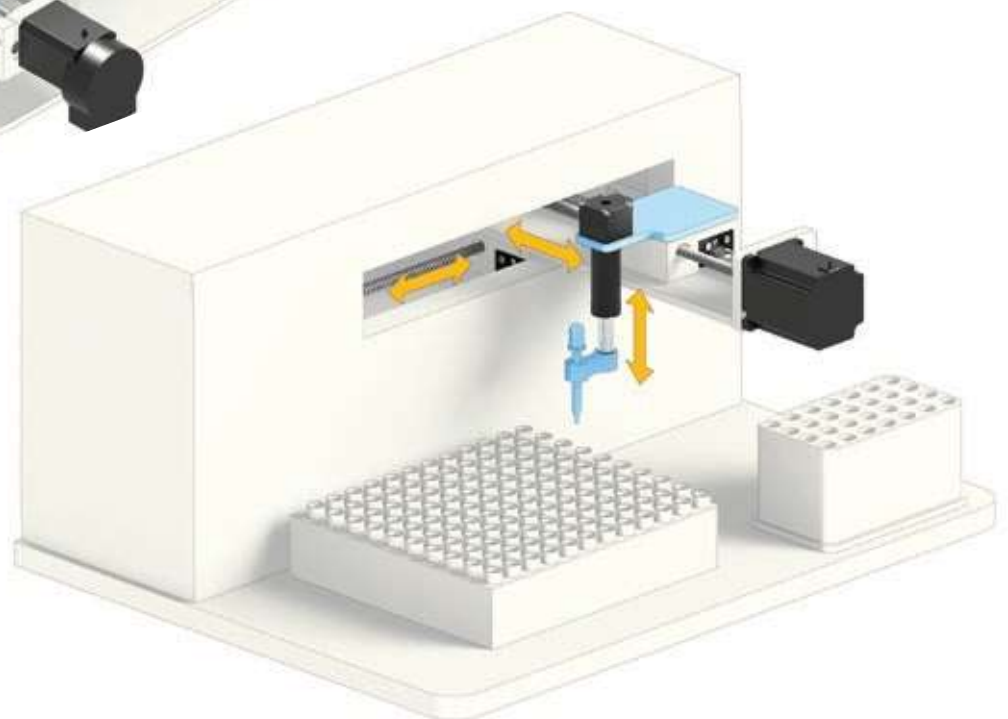


XY Stages

Optimize XY stage designs with compact linear systems' compactness and power.

Pipetting

Tiny, precise and repeatable vertical motion is essential for pipetting. Choose compact linear systems to simplify your z-axis and for accurate horizontal motion.



Key Markets

MEDICAL



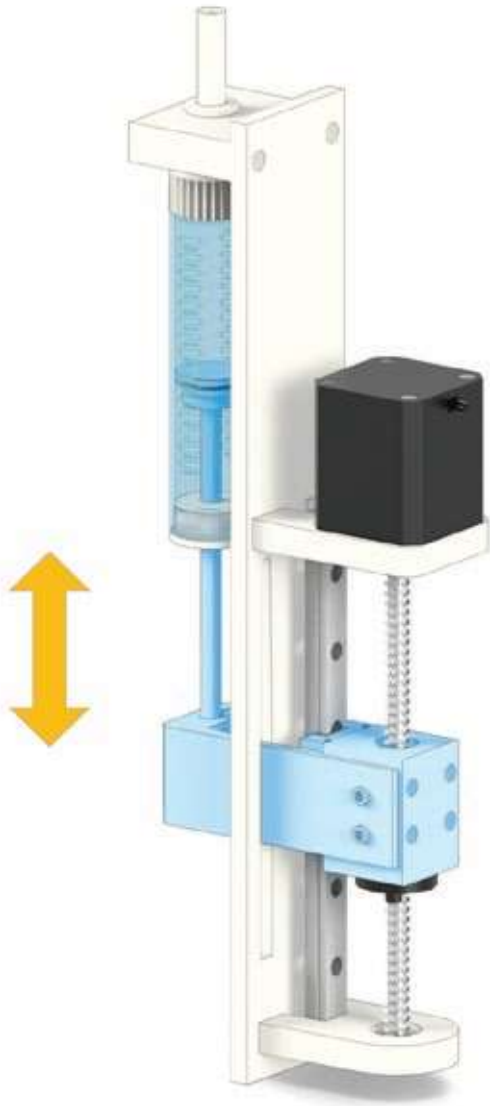
SECURITY - MILITARY



PACKAGING



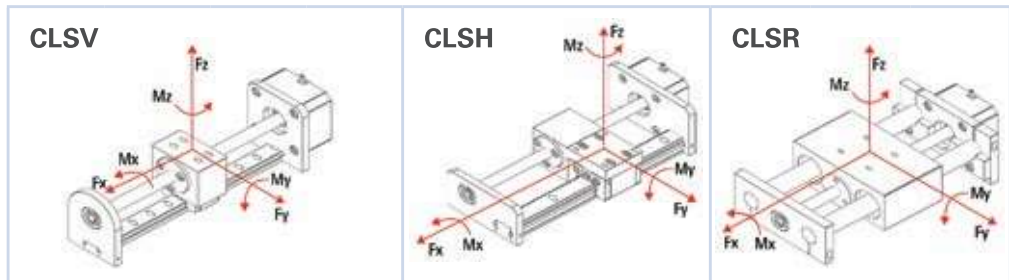
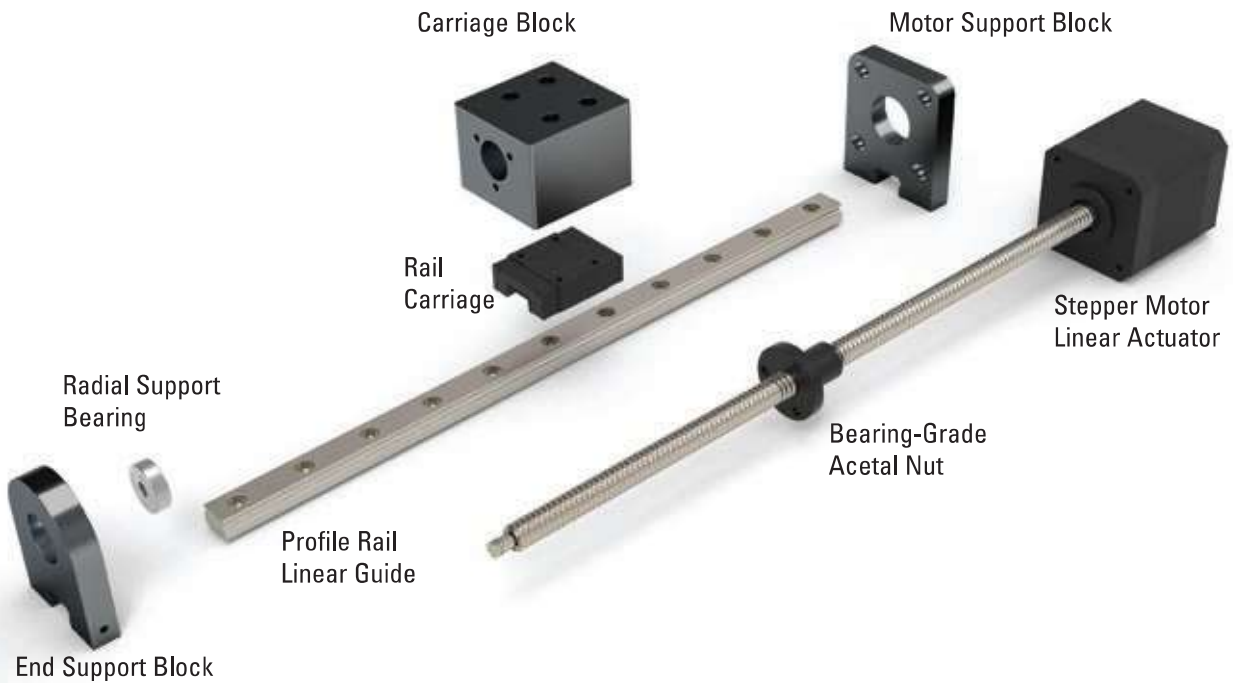
SEMICONDUCTOR



Fluid Pumps

Compact linear systems can increase pump pressure, reduce equipment footprint and more accurately disperse fluid.

Technical Specifications



Thomson Guide	CLSV				CLSH	CLSR		
	Microguide 9	Microguide 12	Microguide 15	400 Series Size 15		400 Series Size 15	4x Super6	4x Super8
Stepper Motor	NEMA14	NEMA14/ NEMA17	NEMA17/NEMA23		NEMA17/NEMA23	NEMA17/NEMA23		
Max Stroke Length* [mm]	500	500	600	800	800	400	500	500
Max Load (Fx) [N]	220	346	711	890	890	890	890	890
Max Load (Fy)** [N]	250	284	583	1,254	2,000	200	400	500
Max Load (Fz)** [N]	200	500	1,250	2,000	2,000	200	400	500
Roll Moment (Mx)** [Nm]	10	11	22	48	48	12	26	33
Pitch Moment (My)** [Nm]	5	6	12	41	41	7	19	24
Yaw Moment (Mz)** [Nm]	5	6	13	41	41	7	19	24

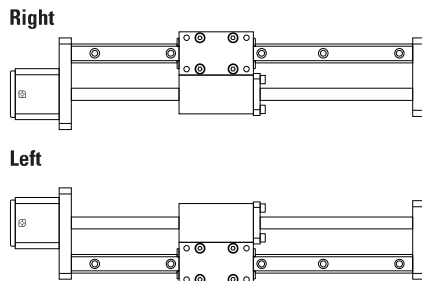
*Longer strokes are available with lower load capacities - Please contact Thomson

**The dynamic load and moment ratings are based upon 127 km travel life

Ordering Key

Compact Linear Systems																		
1	2	3	4	5	6	7	8	9	10	11	12	13	14	15	16	17	18	
CLSV	14	A	13	-	31	0500	S	06000	N	-	X	MT	2	P	09	A	0	XX
<p>1. Series CLSV = Vertical Architecture CLSH = Horizontal Architecture (Profile rail size 15F only) CLSR = RoundRail Architecture</p> <p>2. Motor size 14 = NEMA 14 (CLSV rail size 9, 12 only) 17 = NEMA 17 23 = NEMA 23</p> <p>3. Motor stack A = Single B = Double</p> <p>4. Motor current rating (in 0.1 amps) 08 = 0.8 amps 10 = 1.0 amps 13 = 1.3 amps 15 = 1.5 amps 19 = 1.9 amps 30 = 3.0 amps 39 = 3.9 amps</p> <p>5. Screw diameter 31 = 0.3125 in M08 = 8.0 mm 37 = 0.3750 in M10 = 10.0 mm</p> <p>6. Linear travel/rev 0050 = 0.050 in 020 = 2.0 mm 0063 = 0.063 in 030 = 3.0 mm 0079 = 0.079 in 040 = 4.0 mm 0083 = 0.083 in 050 = 5.0 mm 0100 = 0.100 in 060 = 6.0 mm 0125 = 0.125 in 080 = 8.0 mm 0167 = 0.167 in 100 = 10.0 mm 0200 = 0.200 in 120 = 12.0 mm 0250 = 0.250 in 200 = 20.0 mm 0300 = 0.300 in 0375 = 0.375 in 0500 = 0.500 in 0750 = 0.750 in 1000 = 1.000 in 1200 = 1.200 in</p>						<p>7. Accuracy grade S = Standard 0.010 in/ft (250 µm/300 mm) P = Precision 0.003 in/ft (125 µm/300 mm)</p> <p>8. Stroke length 06000 = 6 in 15000 = 150 mm (when metric diameter is selected)</p> <p>9. Lead screw coating N = None T = PTFE</p> <p>10. Motor/Rail Orientation⁽¹⁾ X = For CLSV and CLSR L = Left (CLSH Only) R = Right (CLSR Only)</p> <p>11. Nut MT = Flange Mount (MTS Series nut) XF = Triangular Flange, Anti-backlash (XC Series nut)</p> <p>12. Nut size 2 = 0.3125 in and 8 mm screws for MT nut 3 = 0.3125 in and 8 mm screws for XF nut, 0.375 in and 10 mm screws for MT and XF nuts</p>						<p>13. Linear Bearing Type P = Profile Rail (CLSV and CLSH) R = Roundrail (CLSR only)</p> <p>14. Linear Bearing Sizes 09 = Profile Rail, Size 9 (NEMA 14 only) 12 = Profile Rail, Size 12 (NEMA 14, 17 only) 15 = Profile Rail, Size 15 06 = Round Rail, 3/8" (CLSR only) 08 = Round Rail, 1/2" (CLSR only)</p> <p>15. Bearing Designation A = Standard S = Super Smart (CLSR 08 bearing sizes only) C = Corrosion resistant (CLSR only) D = Super Smart + corrosion resistant (CLSR 08 bearing sizes only) F = 400 Series Profile Rail ^{(2), (3)} (Profile rail size 15 only)</p> <p>16. Limit Switches* 0 = No limit switches *Limit switches are not yet a standard offering, but can be provided - Please contact Thomson.</p> <p>17. Encoder* XX = No Encoder * 400+ standard encoder options are available - Please contact Thomson to select one that best suits your application.</p> <p>18. Custom designation (blank) = Standard configuration 001-999 = Custom configuration</p>						

⁽¹⁾ See below for the definition of orientation.
⁽²⁾ Not compatible with NEMA 14 or CLSR.
⁽³⁾ CLSH must use option F.



Lead Screw Sizes

Inch Lead Screws			Diameter Designator [hundredths of in. diameter]	
Linear Travel / Full Step [μ in]	Lead [in]	Lead Designator	31	37
0.250	0.050	0050		X
0.313	0.063	0063		X
0.394	0.079	0079		X
0.417	0.083	0083	X	X
0.500	0.100	0100		X
0.625	0.1235	0125		X
0.833	0.167	0167	X	X
1.000	0.200	0200		X
1.250	0.250	0250	X	X
1.500	0.300	0300		X
1.875	0.375	0375		X
2.500	0.500	0500	X	X
3.750	0.750	0750		X
5.000	1.000	1000	X	X
6.000	1.200	1200		X
Metric Lead Screws			Diameter Designator	
Linear Travel / Full Step [μ m]	Lead [mm]	Lead Designator	M08	M10
10	2.0	020	X	X
15	3.0	030		X
20	4.0	040	X	
25	5.0	050		X
30	6.0	060		X
40	8.0	080	X	
50	10.0	100		X
60	12.0	120	X	X
100	20.0	200	X	X

Specifications

Basic Specifications			
Lead Screw			
Material	300 Series Stainless Steel		
Standard Coating ¹	None		
Standard Lead Accuracy	[in./ft. (µm/300 mm)]	0.010 (250)	
Precision Lead Accuracy	[in./ft. (µm/300 mm)]	0.003 (75)	
Straightness	[in./ft. (µm/300 mm)]	0.005 (125)	
Lead Nut			
Standard Material	Internally lubricated acetal		
Nut Efficiency ²	[%]	Up to 85	
Typical Linear Travel Life	[in. (km)]	10 x 10 ⁶ (250)	
Positional Repeatability with Standard Nut ³	[in. (mm)]	0.005 to 0.010 (0.127 to 0.254)	
Positional Repeatability with Anti-Backlash Nut ⁴	[in. (mm)]	<0.002 (0.051)	
Motor			
Frame Size		NEMA 14	NEMA 17
Step Size	[°]	1.8	
Concentricity of Mounting Pilot to Shaft	[in. (mm)]	0.003 (0.08) TIR	
Perpendicularity of Shaft to Mounting Face	[in. (mm)]	0.003 (0.08) TIR	
Max. Case Temperature	[°F (°C)]	176 (80)	
Storage Temperature	[°F (°C)]	-4 to 122 (-20 to 50)	
Ambient Temperature	[°F (°C)]	-4 to 122 (-20 to 50)	
Max. Humidity (non-condensing)	[%]	85	
Magnet Wire Insulation	[°F (°C)]	Class B 130 (266)	
Insulation Resistance		@ 500 VDC [Mohm] 100	
Dielectric Strength		for 1 min. [Vac] 500	
Assembly			
Max. Backlash with Standard Nut ⁵	[in. (mm)]	0.010 (0.25)	
Operating Temperature	[°F (°C)]	15 to 125 (-10 to 50)	

1. Contact Thomson for optional lead screw coatings.

2. Depends on lead, nut material and lubrication.

3. Depends on nut, load and orientation.

4. For best positional repeatability, load should be kept well below design system.

5. Nut fit can be adjusted depending on backlash requirements.

Specifications – Encoders



Pictured: MLx 23 motor (stack type) with an E3 encoder



Features and Benefits

- All CLS configurations are available with rear-mounted optical encoders
- Two channel quadrature square wave outputs with optional third channel index output
- Various cycles per revolution (CPR) or pulses per revolution (PPR) available – from 32 to 10,000 CPR or 128 to 40,000 PPR

Encoders

Motor Size	E2	E3	E5	E6
NEMA 14	•		•	
NEMA 17	•	•	•	•
NEMA 23		•		•

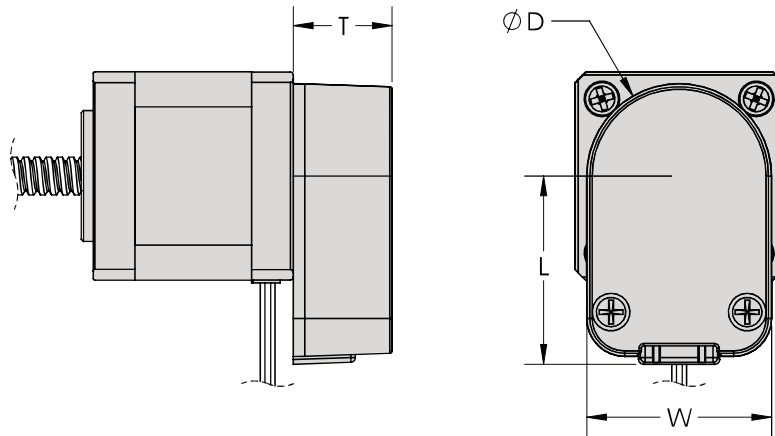
Available Configurations

Motors	Encoder	Cycles Per Revolution (CPR)	Index	Output
NEMA 14, NEMA 17	E2	32, 50, 96, 100, 192, 200, 250, 256, 360, 400, 500, 512, 540, 720, 900, 1000, 1024, 1250, 2000 ¹ , 2048 ¹ , 2500 ¹ , 4000 ¹ , 4096 ¹ , 5000 ¹	Index or No Index	N/A
NEMA 17, NEMA 23	E3	64, 100, 200, 400, 500, 512, 1000, 1024, 1800, 2000, 2048, 2500, 3600 ¹ , 4000 ¹ , 4096 ¹ , 5000 ¹ , 7200 ¹ , 8000 ¹ , 8192 ¹		
NEMA 14, NEMA 17	E5	32, 50, 96, 100, 192, 200, 250, 256, 360, 400, 500, 512, 540, 720, 900, 1000, 1024, 1250, 2000 ¹ , 2048 ¹ , 2500 ¹ , 4000 ¹ , 4096 ¹ , 5000 ¹		Single-Ended or Differential
NEMA 17, NEMA 23	E6	64, 100, 200, 400, 500, 512, 1000, 1024, 1800, 2000, 2048, 2500, 3600 ¹ , 4000 ¹ , 4096 ¹ , 5000 ¹ , 7200 ¹ , 8000 ¹ , 8192 ¹ , 10000 ¹		

1. CPR available with Index only

Note: Please specify encoder model, CPR, Index and Output (if applicable)

Dimensions – Encoders



Encoder Specifications

Encoder	Dimensions (inch)				Input/Output (VDC)			Operating Temperature (°C)		Acceleration (rad/sec ²)	Mating Connector ²
	T ¹	L	D	W	Min	Typ	Max	Min	Max	Max	US Digital
E2	0.62	0.82	1.19	1.19	4.5	5.0	5.5	-40	100	250,000	CON-C5 CON-LC5
E3		0.57	2.20	1.62							
E5	0.65	1.24	1.22	1.22				-40 (CPR<2000) -25 (CPR≥2000)			
E6		1.42	2.22	1.39				-40 (CPR<3600) -25 (CPR≥3600)			CON-FC5 (5 PIN) CON-FC10 (10 PIN)

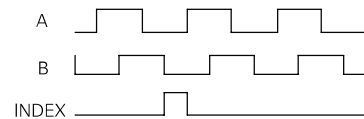
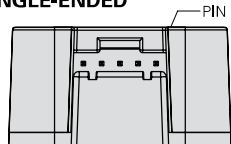
1. NEMA 17 motor requires mounting plate, which increases dimension T by approximately 0.15 in.
2. All single-ended encoders are 5 pin connections. All differential encoders are 10 pin connections.

Pinouts

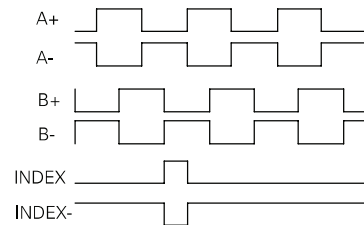
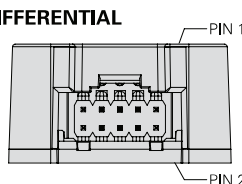
Pin	Single-Ended	Differential ¹
1	Ground	Ground
2	Index	
3	A Channel	Index-
4	+5 VDC Power	Index+
5	B Channel	A- Channel
6	-	A+ Channel
7	-	+5 VDC Power
8	-	
9	-	B- Channel
10	-	B+ Channel

1. E5 and E6 only

SINGLE-ENDED



DIFFERENTIAL

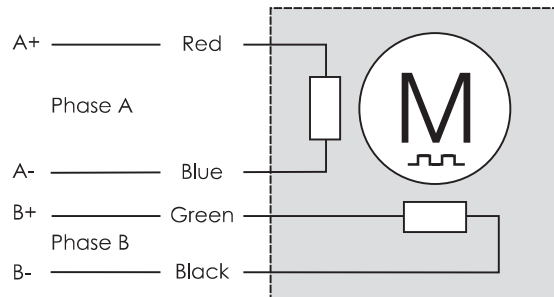


Wiring and Connectors

Thomson offers standard wiring and connector pin-outs (shown below). However, if you have unique application requirements such as a specific mating connector you'd like to easily plug into, we also offer custom wiring and connectors to match your needs. Just contact us with your request, and we'll find a solution.

NEMA 14, NEMA 17 and NEMA 23

Flying Leads	
Lead Color	Phase
Red	A+
Blue	A-
Green	B+
Black	B-



- Standard wiring diagram for NEMA 14, NEMA 17 and NEMA 23 configurations
- 26 AWG lead wires for NEMA 14
- 22 AWG lead wires for NEMA 17 and NEMA 23
- Other lead wire gauges available - contact Thomson for more details

USA, CANADA and MEXICO

Thomson
203A West Rock Road
Radford, VA 24141, USA
Phone: 1-540-633-3549
Fax: 1-540-633-0294
E-mail: thomson@thomsonlinear.com
Literature: literature.thomsonlinear.com

EUROPE

United Kingdom

Thomson
Office 9, The Barns
Caddsdow Business Park
Bideford, Devon, EX39 3BT
Phone: +44 1271 334 500
E-mail: sales.europe@thomsonlinear.com

Germany

Thomson
Nürtinger Straße 70
72649 Wolfschlugen
Phone: +49 7022 504 403
Fax: +49 7022 504 405
E-mail: sales.europe@thomsonlinear.com

France

Thomson
Phone: +33 243 50 03 30
E-mail: sales.europe@thomsonlinear.com

Italy

Thomson
Via per Cinisello 95/97
20834 Nova Milanese (MB)
Phone: +39 0362 366406
Fax: +39 0362 276790
E-mail: sales.italy@thomsonlinear.com

Sweden

Thomson
Estridsväg 10
29109 Kristianstad
Phone: +46 44 590 2400
Fax: +46 44 590 2585
E-mail: sales.europe@thomsonlinear.com

ASIA

Asia Pacific

Thomson
E-mail: sales.apac@thomsonlinear.com

China

Thomson
Rm 805, Scitech Tower
22 Jianguomen Wai Street
Beijing 100004
Phone: +86 400 606 1805
Fax: +86 10 6515 0263
E-mail: sales.china@thomsonlinear.com

India

Kollmorgen – Div. of Altra Industrial Motion
India Private Limited
Unit no. 304, Pride Gateway,
Opp. D-Mart,
Baner Road, Pune, 411045
Maharashtra
Phone: +91 20 67349500
E-mail: sales.india@kollmorgen.com

South Korea

Thomson
3033 ASEM Tower (Samsung-dong)
517 Yeongdong-daero
Gangnam-gu, Seoul, South Korea (06164)
Phone: + 82 2 6001 3223 & 3244
E-mail: sales.korea@thomsonlinear.com

SOUTH AMERICA

Brazil

Thomson
Av. João Paulo Ablas, 2970
Jardim da Glória - Cotia SP - CEP: 06711-250
Phone: +55 11 4615 6300
E-mail: sales.brasil@thomsonlinear.com

www.thomsonlinear.com

Compact_Linear_Systems_BREN-0038-02 | 20221220SK
Specifications are subject to change without notice. It is the responsibility of the product user to determine the suitability of this product for a specific application. All trademarks property of their respective owners.
©2022 Thomson Industries, Inc.

 **THOMSON**[®]

Linear Motion. Optimized.[™]